

PRODUCT INFORMATION PACKET



Model No: 145THTR15540

Catalog No: Y284

Encoder Motor, 1.50 HP, 3 Ph, 60 Hz, 230/460 V, 1800 RPM, 145TC Frame, TENV



Regal and LEESON are trademarks of Regal Rexnord Corporation or one of its affiliated companies.
©2025 Regal Rexnord Corporation, All Rights Reserved. MC017097E



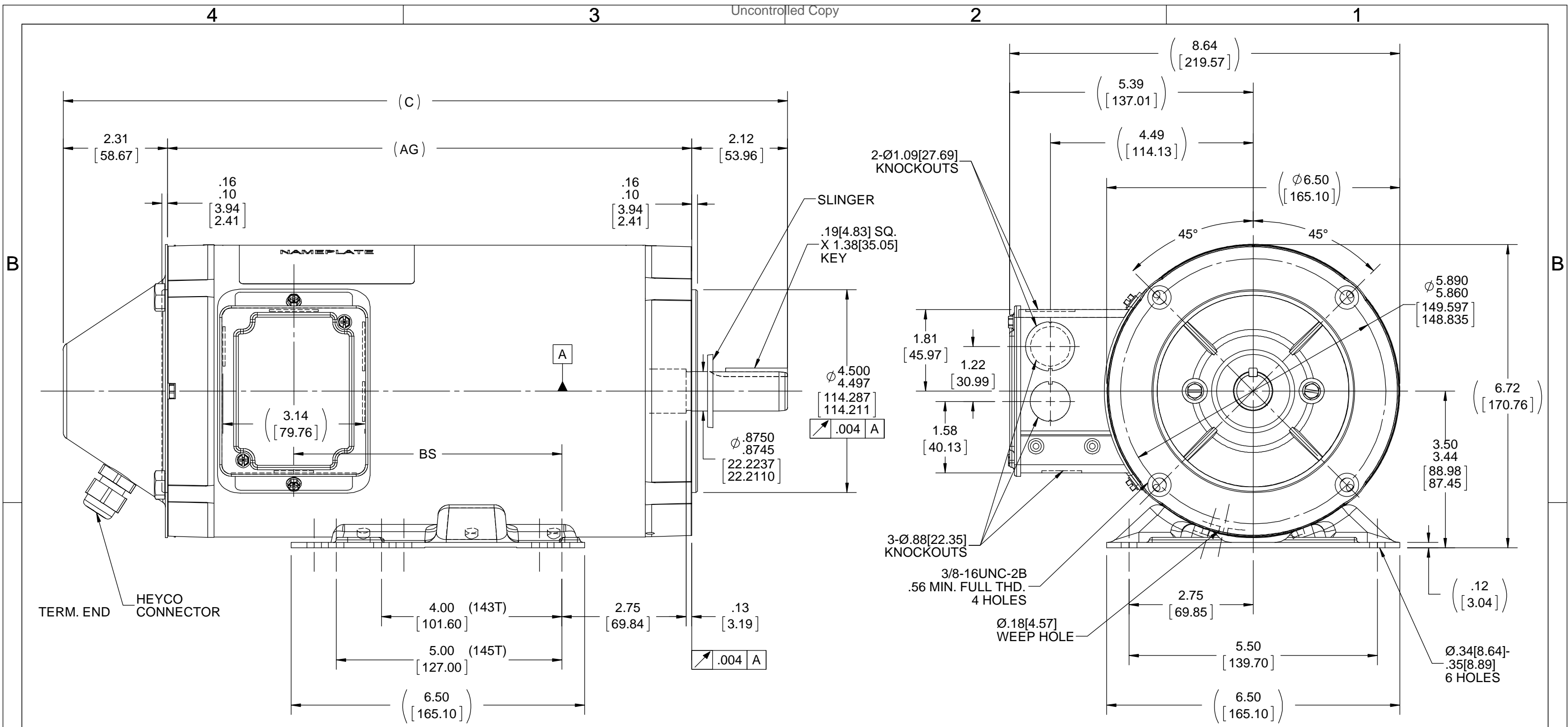


Nameplate Specifications

Phase	3	Output HP	1.50 Hp
Output KW	1.1 kW	Voltage	230/460 V
Speed	1755 rpm	Service Factor	1.0
Frame	145TC	Enclosure	Totally Enclosed Non Ventilated
Thermal Protection	No Protection	Efficiency	85.5 %
Ambient Temperature	40 °C	Frequency	60 Hz
Current	4.8/2.4 A	Power Factor	69
Duty	Continuous	Insulation Class	H
Design Code	INV	KVA Code	R
Drive End Bearing Size	6205	Opp Drive End Bearing Size	6203
UL	Recognized	CSA	Y
CE	Y	IP Code	43
Number of Speeds	1		

Technical Specifications

Electrical Type	Squirrel Cage Inverter Duty	Starting Method	Inverter Only
Poles	4	Rotation	Reversible
Resistance Main	6.65 Ohms	Mounting	Bolt-on Base
Motor Orientation	Horizontal	Drive End Bearing	Ball
Opp Drive End Bearing	Ball	Frame Material	Rolled Steel
Shaft Type	T	Overall Length	16.04 in
Frame Length	9.56 in	Shaft Diameter	0.875 in
Shaft Extension	2.12 in	Assembly/Box Mounting	F1 ONLY
Inverter Load	CONSTANT 1000:1		
Outline Drawing	108761-956	Connection Drawing	EE7308



- NOTE:**
- 1) CONDUIT BOX CAN BE ROTATED 180°.
 - 2) REMOVABLE BASE.
 - 3) NAMEPLATE TO BE READ FROM CONDUIT BOX SIDE OF MOTOR.
 - 4) C-FACE MOUNTING PATTERN TYPICALLY BOTH ENDS.

DRAWING REVISION A	REVISION BY S SAHOO	DATE 12/27/2018	TOLERANCES UNLESS OTHERWISE SPECIFIED: DEC. INCH mm ANGLE .X ±0.1 [±2.5] ±7° 30" .XX ±0.03 [±0.76] .XXX ±0.005 [±0.127] .XXXX ±0.0005 [±0.0127]	DRAWN BY S SAHOO	Regal Beloit America, Inc.
ECO ECO-0159683	APPROVED BY	DATE	REMOVE BURRS & BREAK SHARP EDGES: .003/.015 [0.076/.381] X 45° CORNER FILLETS: R.02 [51] MACHINED SURFACES: 200 INCH/mm 5.1 mm SHOWN IN [BRACKETS]	DATE 12/27/2018	
ECO DESCRIPTION OUTLINE CONVERSION PROJECT COPYRIGHT REGAL BELOIT AMERICA, INC. ALL RIGHTS RESERVED. PROPRIETARY AND CONFIDENTIAL INFORMATION - THIS DOCUMENT IS THE PROPERTY OF REGAL BELOIT AMERICA, INC. (OWNER) AND CONTAINS OWNER'S PROPRIETARY INFORMATION. ANY PERSON, CORPORATION OR OTHER FIRM RECEIVING IT IS DEEMED, BY RECEIVING IT, TO AGREE THAT IT, AND/OR ANY PART OF IT, SHALL NOT BE DISCLOSED TO ANY PERSON, CORPORATION OR OTHER ENTITY, DUPLICATED, AND/OR USED, EXCEPT AS EXPRESSLY APPROVED IN WRITING IN ADVANCE BY OWNER. THIS DOCUMENT SHALL BE RETURNED TO OWNER UPON REQUEST. IT MAY BE SUBJECT TO CERTAIN RESTRICTIONS UNDER APPLICABLE EXPORT CONTROL LAWS AND REGULATIONS.				APPROVED BY J DAS	
				DATE 01/08/2019	
DASH	C	AG	BS	REFERENCE 107391	DESCRIPTION OUTLINE 140T FR. - BB -TENV - DBL C'FACE- 3Ø
956	16.04[407.42]	11.61[294.89]	5.94[150.88]	THIRD ANGLE PROJECTION	MATERIAL
				SIZE B	PROCESS/FINISH
				DRAWING NUMBER 108761	
					SHEET 1 OF 1

DASH	C	AG	BS
956	16.04[407.42]	11.61[294.89]	5.94[150.88]



NO.	REVISION	BY & DATE	CHK	ANG	TOLERANCES UNLESS SPECIFIED		FINISH	DRAWN RM 11/20/1990				
					DEC.	INCHES						
5	CHG TO REGAL LOGO	SL 09/10/2015	AB					CHK ML 11/21/1990				
4	REVISED IEC NOTATIONS	MSG 11/15/2011	CMN	.X	±.1			APPD SAS 04/24/2003				
3	ADDED IEC NOTATIONS... (U1), (V1) ETC. MU95194	MSG 5/10/2010	MJS	.XX	±.02		TITLE CONNECTION DIAGRAM	SCALE 1=1				
2	ADDED THE OPTIONAL CORD CONNECTION MU46318	RDH 04/24/2003	DRS	.XXX	±.005		3Ø - DUAL VOLTAGE MOTOR	REF				
1	REDRAWN	RM 11/20/1990		.XXXX	±.0005		MAT'L.	FMF				
					±7'30"			PREV				
THIS DRAWING IN DESIGN AND DETAIL IS OUR PROPERTY AND MUST NOT BE USED EXCEPT IN CONNECTION WITH OUR WORK ALL RIGHTS OF DESIGN AND INVENTION ARE RESERVED THIS IS AN ELECTRONICALLY GENERATED DOCUMENT - DO NOT SCALE THIS PRINT							RFP	CAD FILE ee7308	SIZE A	DRAWING NO. EE7308	PAGE OF 5	REV. 5
							DIST WP					

NONE	P/N	NONE	
NONE	NONE		
NONE FT-LB		NONE V	NONE Hz

DATE: 06/23/2017 02:01:57 AM
FORM 3531 REV.3 02/07/99
** Subject to change without notice.

Data Sheet

Date: 29-06-2017
Customer: _____
Attention: _____
Submitted by: FAREEDA DUDEKULA



145THTR15540

Submittal

Data @ **460 V**

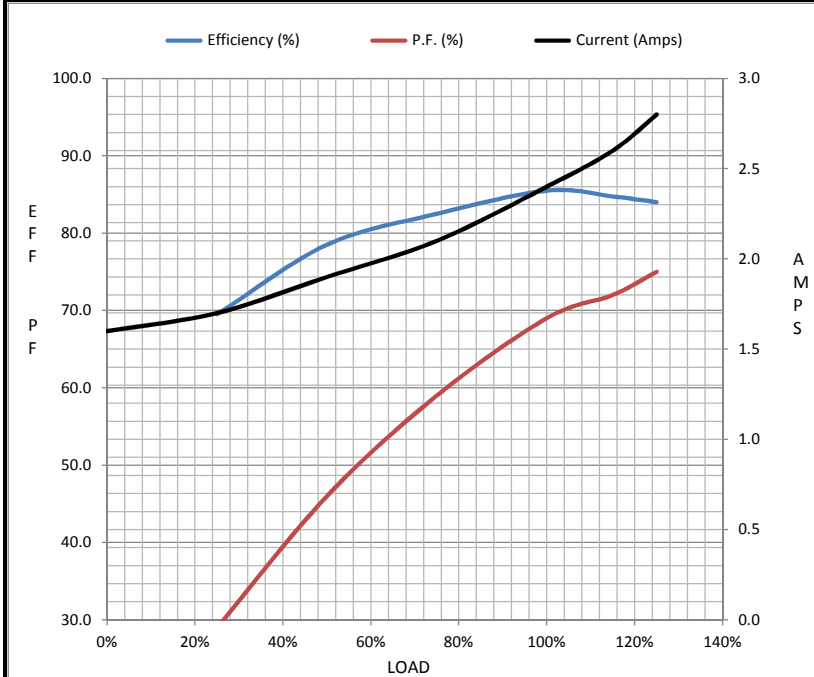
Motor Load Data

Load	0%	25%	50%	75%	100%	115%	125%	LR
Current (Amps)	1.60	1.70	1.90	2.10	2.40	2.60	2.80	28.0
Torque (ft-lb)	0.00	1.10	2.20	3.4	4.5	5.1	5.6	23.0
RPM	1800	1788	1778	1768	1755	1,751	1745	0
Efficiency (%)		69.5	78.5	82.5	85.5	84.8	84.0	
P.F. (%)	9.0	29.0	46.0	59.0	69.0	72.0	75.0	68.0

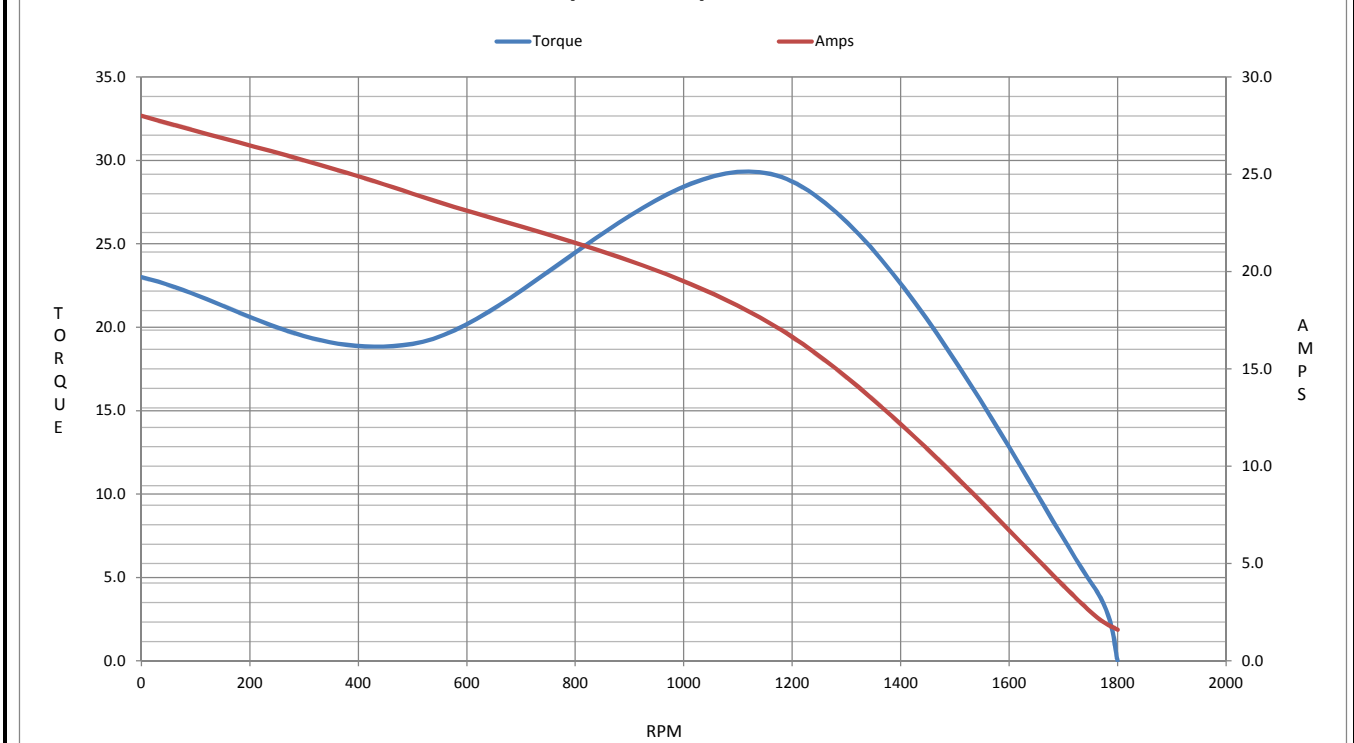
Motor Speed Data

	LR	Pull-Up	BD	Rated	Idle
Speed (RPM)	0	500	1180	1755	1800
Current (Amps)	28.0	24.0	17.0	2.40	1.60
Torque (ft-lb)	23.0	19.0	29.0	4.5	0.00

Information Block	
HP	1.5
Sync. RPM	1800
Frame	145
Enclosure	TENV
Construction	TTR
Voltage	230/460 V
Frequency	60 Hz
Design	A
LR Code letter	R
Service Factor	1.15
Temp Rise @ FL	80 ° C
Duty	CONT
Ambient	40 ° C
Elevation	1,000 feet
Rotor/Shaft wk ²	0.14 Lb-Ft ²
Ref Wdg	ZT4118 NONE
Sound Pressure @ 1M	62 dBA
VFD Rating	CONSTANT 1000:1
Outline Dwg	A-107391-956
Conn. Diag	A-EE7308
Additional Specifications:	
0	
365THFS8036	
EQUIV CKT (OHMS / PHASE)	
R1	R2
4.2570	3.5380
X1	X2
5.9980	5.8840
Xm	
161.0090	



Speed - Torque Curve



EC Declaration of Conformity

The undersigned representing
the manufacturer:

Regal Beloit America
1946 West Cook Road
Fort Wayne, IN 46818

and the authorized representative
established within the Community:

Regal Beloit Italy
Via Modena, 18
24040 Ciserano(BG) - Italy

are committed to providing customers with products that comply with applicable regulations and international protocols to which they are subject, including the requirements of the European Parliament Directive on the Harmonization of the laws relating to electrical equipment designed for use within certain voltage limits (2014/35/EU).

Regal Beloit America declares that the following product(s), to which this declaration relates, are in conformity with the relevant sections of the EC standards listed below.

This statement supersedes any statements previously issued pertaining to the product(s) listed below and is subject to change without notice.

Model No : 145THTR15540

(Model No. may contain prefix and/or suffix characters)

Catalog No : Y284

Rework No : N/A

Directives :

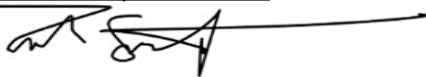
Low Voltage Directive 2014/35/EU

Harmonized Standards Used :

EN 60034-1: 2010 (IEC 60034-1: 2010)

EN 60034-5: 2001/A1:2007 (IEC 60034-5: 2000/A1:2006)

Authorized Representative:



Zach Stauffer
Vice President, Engineering

Authorized Representative in the Community:



Stefano Casiraghi
Technology Director, Engineering

Created on 07/08/2025

CE 25