

PRODUCT INFORMATION PACKET



Model No: 145TTDR16352

Catalog No: E929A

General Purpose Motor, 2 & 1.50 HP, 3 Ph, 60 & 50 Hz, 230/460 & 190/380 V, 1800 & 1500 RPM,
145T Frame, DP



Regal and LEESON are trademarks of Regal Rexnord Corporation or one of its affiliated companies.
©2025 Regal Rexnord Corporation, All Rights Reserved. MC017097E



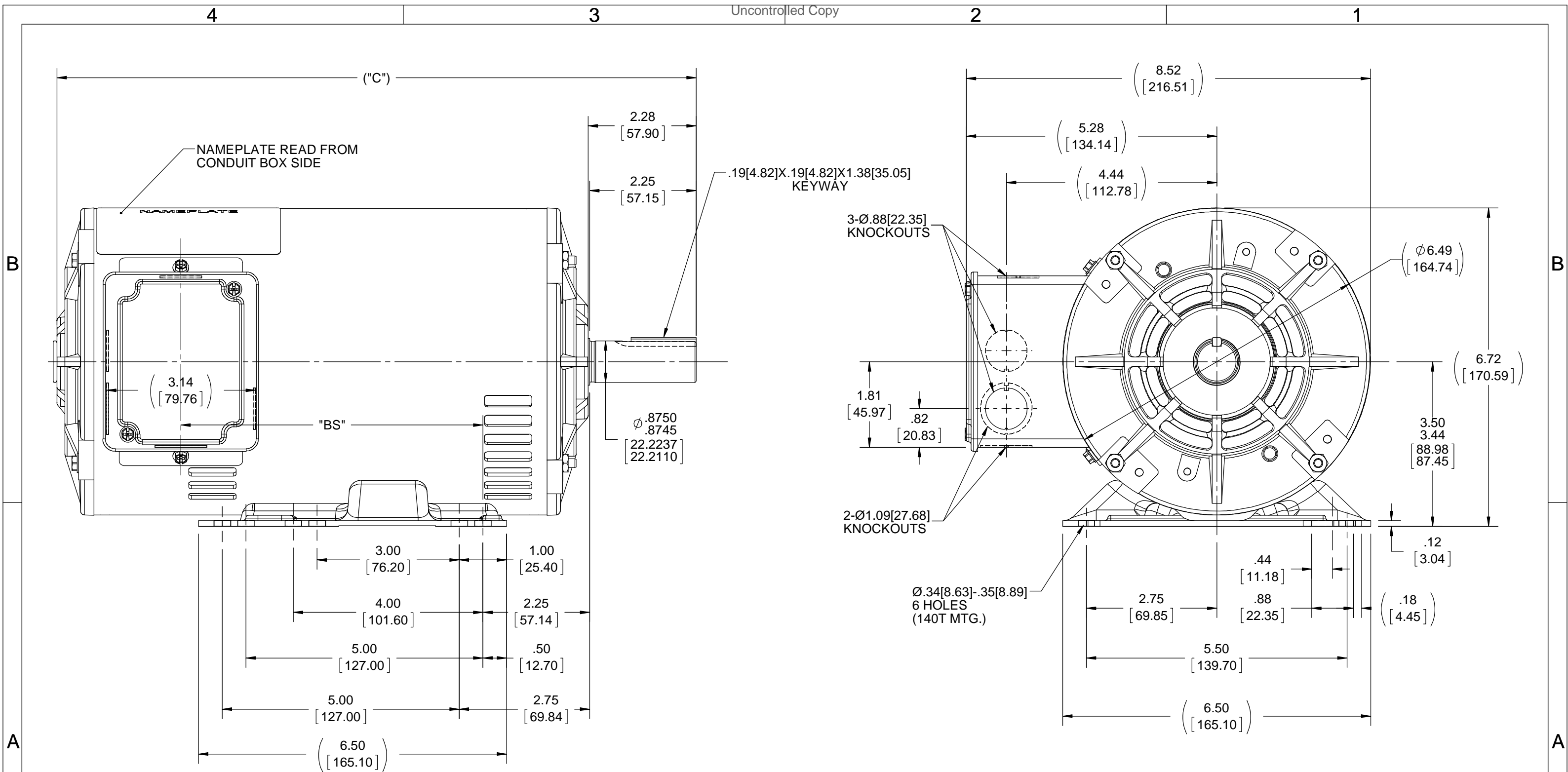


Nameplate Specifications

| | | | |
|------------------------|----------------------------|----------------------------|--------------------------------|
| Phase | 3 | Output HP | 2 & 1.50 Hp |
| Output KW | 1.5 & 1.1 kW | Voltage | 230/460 & 190/380 V |
| Speed | 1750 & 1460 rpm | Service Factor | 1.15 & 1.15 |
| Frame | 145T | Enclosure | Drip Proof |
| Thermal Protection | No Protection | Efficiency | 86.5 & 85.5 % |
| Ambient Temperature | 40 °C | Frequency | 60 & 50 Hz |
| Current | 6/3 & 5.6/2.8 A | Power Factor | 74.5 |
| Duty | Continuous | Insulation Class | F |
| Design Code | B | KVA Code | N |
| Drive End Bearing Size | 6205 | Opp Drive End Bearing Size | 6203 |
| UL | Recognized | CSA | Y |
| CE | Y | IP Code | 22 |
| Number of Speeds | 1 | | |

Technical Specifications

| | | | |
|-----------------------|-------------------------------------|-----------------------|-------------------------|
| Electrical Type | Squirrel Cage Inverter Rated | Starting Method | Line Or Inverter |
| Poles | 4 | Rotation | Reversible |
| Resistance Main | 6.4 Ohms | Mounting | Rigid Base |
| Motor Orientation | Horizontal | Drive End Bearing | Ball |
| Opp Drive End Bearing | Ball | Frame Material | Rolled Steel |
| Shaft Type | T | Overall Length | 13.49 in |
| Frame Length | 9.56 in | Shaft Diameter | 0.875 in |
| Shaft Extension | 2.28 in | Assembly/Box Mounting | F1 ONLY |
| Inverter Load | CONSTANT 10:1 | | |
| Outline Drawing | A-108587-956 | Connection Drawing | A-EE7308 |



NOTES:
1.CONDUIT BOX CAN BE ROTATED 180°.

| | | |
|----------|---------------|--------------|
| DASH NO. | "C" | "BS" |
| 956 | 13.49[342.64] | 6.37[161.79] |

| | | |
|---|-------------|------|
| DRAWING REVISION A | REVISION BY | DATE |
| ECO ECO-0136108 | APPROVED BY | DATE |
| ECO DESCRIPTION OUTLINE CONVERSION PROJECT COPYRIGHT REGAL BELOIT AMERICA, INC. ALL RIGHTS RESERVED. PROPRIETARY AND CONFIDENTIAL INFORMATION - THIS DOCUMENT IS THE PROPERTY OF REGAL BELOIT AMERICA, INC. ("OWNER") AND CONTAINS OWNER'S PROPRIETARY INFORMATION. ANY PERSON, CORPORATION OR OTHER FIRM RECEIVING IT IS DEEMED, BY RECEIVING IT, TO AGREE THAT IT, AND/OR ANY PART OF IT, SHALL NOT BE DISCLOSED TO ANY PERSON, CORPORATION OR OTHER ENTITY, DUPLICATED, AND/OR USED, EXCEPT AS EXPRESSLY APPROVED IN WRITING IN ADVANCE BY OWNER. THIS DOCUMENT SHALL BE RETURNED TO OWNER UPON REQUEST. IT MAY BE SUBJECT TO CERTAIN RESTRICTIONS UNDER APPLICABLE EXPORT CONTROL LAWS AND REGULATIONS. | | |

| | | | |
|--|---------|-----------|---------|
| TOLERANCES UNLESS OTHERWISE SPECIFIED: | | | |
| DEC. | INCH | mm | ANGLE |
| .X | ±0.1 | [±2.5] | ±7° 30" |
| .XX | ±0.03 | [±0.76] | |
| .XXX | ±0.005 | [±0.127] | |
| .XXXX | ±0.0005 | [±0.0127] | |
| REMOVE BURRS & BREAK SHARP EDGES: .003/.015 [.076/.381] X 45° CORNER FILLETS: R.02 [.51] MACHINED SURFACES: 200 INCH/mm 5.1 mm SHOWN IN [BRACKETS] | | | |

| |
|------------------------|
| DRAWN BY A. KEETHA |
| DATE 02/27/2018 |
| APPROVED BY PST |
| DATE 05/18/2018 |
| REFERENCE 100085 |
| THIRD ANGLE PROJECTION |

| | |
|---|---------------------------------|
| REGAL ™ Regal Beloit America, Inc. | |
| DESCRIPTION OUTLINE 140T & 56HZ - DR.PR. | |
| MATERIAL | PROCESS/FINISH |
| SIZE B | DRAWING NUMBER 108587 |
| SHEET 1 OF 1 | |



| NO. | REVISION | BY & DATE | CHK | ANG | TOLERANCES UNLESS SPECIFIED | FINISH | DRAWING NO. | PAGE | OF | REV. | | |
|--|--|----------------|-----|-------|--------------------------------|---|-----------------------------------|------|-------------|------------|-----------|------|
| 5 | CHG TO REGAL LOGO | SL 09/10/2015 | AB | DEC. | INCHES | | Regal Beloit America, Inc. | RM | 11/20/1990 | | | |
| 4 | REVISED IEC NOTATIONS | MSG 11/15/2011 | CMN | .X | ±.1 | | | CHK | ML | 11/21/1990 | | |
| 3 | ADDED IEC NOTATIONS... (U1), (V1) ETC. MU95194 | MSG 5/10/2010 | MJS | .XX | ±.02 | | | APPD | SAS | 04/24/2003 | | |
| 2 | ADDED THE OPTIONAL CORD CONNECTION MU46318 | RDH 04/24/2003 | DRS | .XXX | ±.005 | TITLE CONNECTION DIAGRAM 3Ø - DUAL VOLTAGE MOTOR | | | | | SCALE 1=1 | |
| 1 | REDRAWN | RM 11/20/1990 | | .XXXX | ±.0005 | MAT'L. | | | | | REF | |
| | | | | | ±7'30" | | | | | FMF | | |
| THIS DRAWING IN DESIGN AND DETAIL IS OUR PROPERTY AND MUST NOT BE USED EXCEPT IN CONNECTION WITH OUR WORK ALL RIGHTS OF DESIGN AND INVENTION ARE RESERVED THIS IS AN ELECTRONICALLY GENERATED DOCUMENT - DO NOT SCALE THIS PRINT | | | | | | RFP | CAD FILE ee7308 | SIZE | DRAWING NO. | PAGE | OF | REV. |
| | | | | | | DIST WP | | A | EE7308 | | | 5 |

CERTIFICATION DATA SHEET

Model#: 145TTDR16352 AA
CONN. DIAGRAM: A-EE7308
OUTLINE: A-100085-956

WINDING#: ZT4260 NONE 1
ASSEMBLY: F1 ONLY

TYPICAL MOTOR PERFORMANCE DATA

| HP | KW | SYNC. RPM | F.L. RPM | FRAME | ENCLOSURE | KVA CODE | DESIGN |
|---------|-----------|-----------|-----------|-------|-----------|----------|--------|
| 2&1 1/2 | 1.49&1.12 | 1800 | 1750&1460 | 145T | DP | N | B |

| PH | Hz | VOLTS | FL AMPS | START TYPE | DUTY | INSL | S.F | AMB°C | ELEVATION |
|----|-------|---------------------|-------------|---------------------|----------------|------|-----------|-------|-----------|
| 3 | 60/50 | 230/460#190/ 380 | 6/3&5.6/2.8 | LINE OR INVERTER | CONTINUOU S | F3 | 1.15/1.15 | 40 | 3300 |

| FULL LOAD EFF: 86.5&85.5 | 3/4 LOAD EFF: 85.8 | 1/2 LOAD EFF: 82.8 | GTD. EFF | ELEC. TYPE | NO LOAD AMPS |
|-----------------------------|--------------------|--------------------|----------|-------------------|--------------|
| FULL LOAD PF: 74.5&72 | 3/4 LOAD PF: 65.3 | 1/2 LOAD PF: 53.8 | 84 | SQ CAGE INV RATED | 3.5 / 1.8 |

| F.L. TORQUE | LOCKED ROTOR AMPS | L.R. TORQUE | B.D. TORQUE | F.L. RISE°C |
|-------------|-------------------|----------------|----------------|-------------|
| 6 LB-FT | 56.8 / 28.4 | 24.1 LB-FT 402 | 30.7 LB-FT 512 | 38 |

| SOUND PRESSURE @ 3 FT. | SOUND POWER | ROTOR WK^2 | MAX. WK^2 | SAFE STALL TIME | STARTS /HOUR | APPROX. MOTOR WGT |
|---------------------------|-------------|--------------|------------|-----------------|-----------------|----------------------|
| 56 dBA | 66 dBA | 0.09 LB-FT^2 | 12 LB-FT^2 | 15 SEC. | 2 | 45.4 LBS. |

***** SUPPLEMENTAL INFORMATION *****

| DE BRACKET TYPE | ODE BRACKET TYPE | MOUNT TYPE | ORIENTATION | SEVERE DUTY | HAZARDOUS LOCATION | DRIP COVER | SCREENS | PAINT |
|--------------------|---------------------|---------------|-------------|----------------|-----------------------|---------------|---------|------------------|
| STANDARD | STANDARD | RIGID | HORIZONTAL | FALSE | NONE | FALSE | NONE | BLUE (POWDER) |

| BEARINGS | | GREASE | SHAFT TYPE | SPECIAL DE | SPECIAL ODE | SHAFT MATERIAL | FRAME MATERIAL |
|----------|------|------------|------------|------------|-------------|--------------------------------|-------------------|
| DE | OPE | | | | | | |
| BALL | BALL | POLYREX EM | T | NONE | NONE | 1144 STRESSPROOF (C-223) | ROLLED STEEL |
| 6205 | 6203 | | | | | | |

| THERMO-PROTECTORS | | | | THERMISTORS | CONTROL | SPACE /n HEATERS |
|-------------------|------------|----------|----------|-------------|---------|------------------|
| THERMOSTATS | PROTECTORS | WDG RTDs | BRG RTDs | | | |
| NONE | NOT | NONE | NONE | NONE | FALSE | NONE VOLTS |

If Inverter equals NONE, contact factory for further information

| |
|--------------------------------|
| INVERTER TORQUE: CONSTANT 10:1 |
| INV. HP SPEED RANGE: NONE |
| ENCODER: NONE |
| NONE NONE |
| NONE NONE PPR |
| BRAKE: NONE NONE |
| NONE P/N NONE |
| NONE NONE |
| NONE FT-LB NONE V NONE Hz |

*
N
O
T
E
S
*

DATE: 06/23/2017 05:06:36 AM

FORM 3531 REV.3 02/07/99

** Subject to change without notice.

Data Sheet

Date: 29-06-2017
 Customer: _____
 Attention: _____
 Submitted by: FAREEDA DUDEKULA



145TTDR16352

Submittal

Data @ 460 V

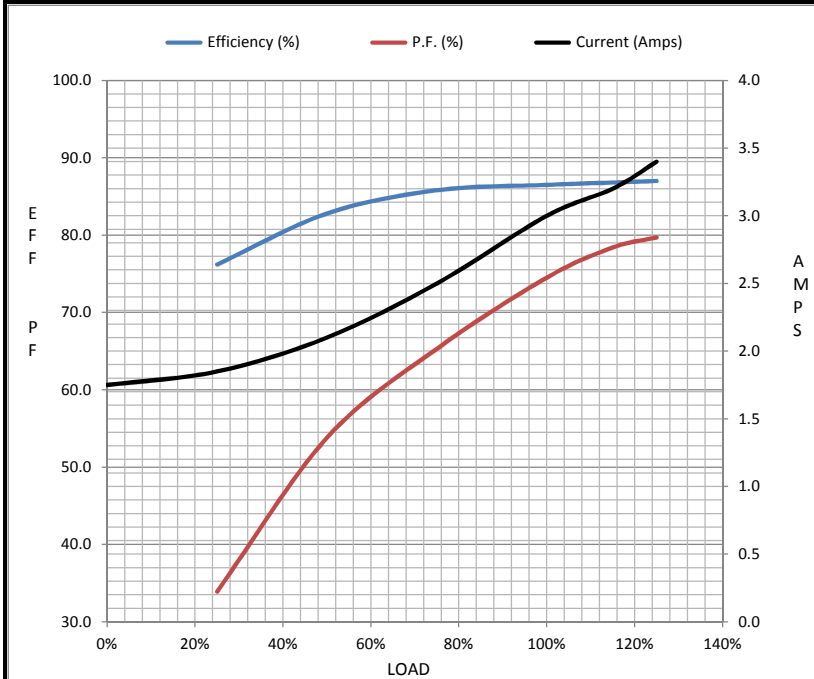
Motor Load Data

| Load | 0% | 25% | 50% | 75% | 100% | 115% | 125% | LR |
|----------------|------|------|------|------|------|-------|------|------|
| Current (Amps) | 1.75 | 1.85 | 2.10 | 2.50 | 3.0 | 3.2 | 3.4 | 28.4 |
| Torque (ft-lb) | 0.00 | 1.50 | 2.95 | 4.5 | 6.0 | 7.0 | 7.6 | 24.1 |
| RPM | 1800 | 1789 | 1778 | 1765 | 1750 | 1,745 | 1740 | 0 |
| Efficiency (%) | | 76.2 | 82.8 | 85.8 | 86.5 | 86.8 | 87.0 | |
| P.F. (%) | 7.9 | 33.9 | 53.8 | 65.3 | 74.5 | 78.4 | 79.7 | 71.5 |

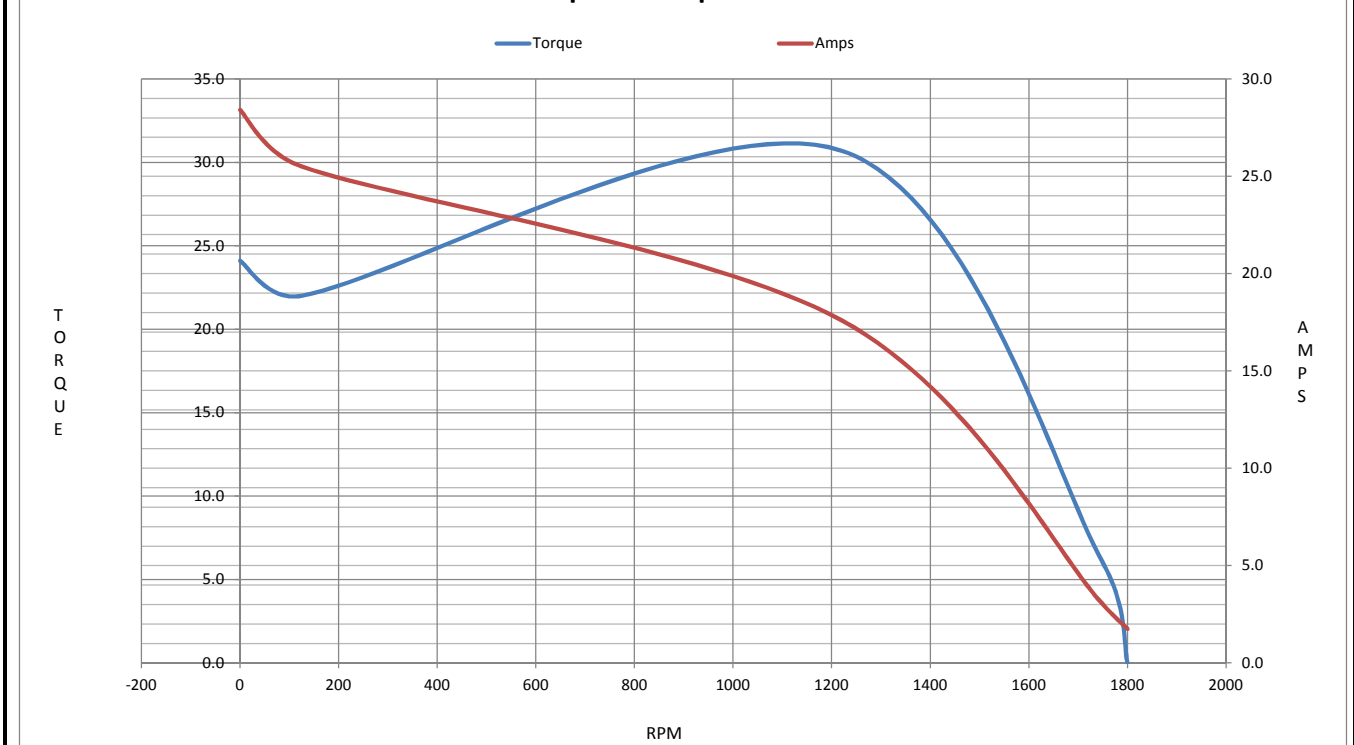
Motor Speed Data

| | LR | Pull-Up | BD | Rated | Idle |
|----------------|------|---------|------|-------|------|
| Speed (RPM) | 0 | 125 | 1220 | 1750 | 1800 |
| Current (Amps) | 28.4 | 25.5 | 17.6 | 3.0 | 1.75 |
| Torque (ft-lb) | 24.1 | 22.0 | 30.7 | 6.0 | 0.00 |

| Information Block | | | | |
|-----------------------------|-------------------------|--------|--------|----------|
| HP | 2.0 | | | |
| Sync. RPM | 1800 | | | |
| Frame | 56 | | | |
| Enclosure | DP | | | |
| Construction | TDR | | | |
| Voltage | 230/460#190/38(V) | | | |
| Frequency | 60 Hz | | | |
| Design | A | | | |
| LR Code letter | N | | | |
| Service Factor | 1.15 | | | |
| Temp Rise @ FL | 38 ° C | | | |
| Duty | CONT | | | |
| Ambient | 40 ° C | | | |
| Elevation | 1,000 feet | | | |
| Rotor/Shaft wk ² | 0.09 Lb-Ft ² | | | |
| Ref Wdg | ZT4260 NONE | | | |
| Sound Pressure @ 1M | 56 dBA | | | |
| VFD Rating | CONSTANT 10:1 | | | |
| Outline Dwg | A-100085-956 | | | |
| Conn. Diag | A-EE7308 | | | |
| Additional Specifications: | | | | |
| 0 | | | | |
| 365THFS8036 | | | | |
| EQUIV CKT (OHMS / PHASE) | | | | |
| R1 | R2 | X1 | X2 | Xm |
| 4.1180 | 3.2660 | 6.2480 | 5.6800 | 163.3000 |



Speed - Torque Curve



EC Declaration of Conformity

The undersigned representing
the manufacturer:

Regal Beloit America
1946 West Cook Road
Fort Wayne, IN 46818

and the authorized representative
established within the Community:

Regal Beloit Italy
Via Modena, 18
24040 Ciserano(BG) - Italy

are committed to providing customers with products that comply with applicable regulations and international protocols to which they are subject, including the requirements of the European Parliament Directive on the Harmonization of the laws relating to electrical equipment designed for use within certain voltage limits (2014/35/EU).

Regal Beloit America declares that the following product(s), to which this declaration relates, are in conformity with the relevant sections of the EC standards listed below.

This statement supersedes any statements previously issued pertaining to the product(s) listed below and is subject to change without notice.

Model No : 145TTDR16352

(Model No. may contain prefix and/or suffix characters)

Catalog No : E929A

Rework No : N/A

Directives :

Low Voltage Directive 2014/35/EU

Harmonized Standards Used :

EN 60034-1: 2010 (IEC 60034-1: 2010)

EN 60034-5: 2001/A1:2007 (IEC 60034-5: 2000/A1:2006)

Authorized Representative:



Zach Stauffer
Vice President, Engineering

Authorized Representative in the Community:



Stefano Casiraghi
Technology Director, Engineering

Created on 07/08/2025

CE 25