

PRODUCT INFORMATION PACKET



Model No: 145TTFR16039

Catalog No: E2157

General Purpose Motor, 2 HP, 3 Ph, 60 Hz, 200 V, 1800 RPM, 145T Frame, TEFC



Regal and LEESON are trademarks of Regal Rexnord Corporation or one of its affiliated companies.
©2025 Regal Rexnord Corporation, All Rights Reserved. MC017097E



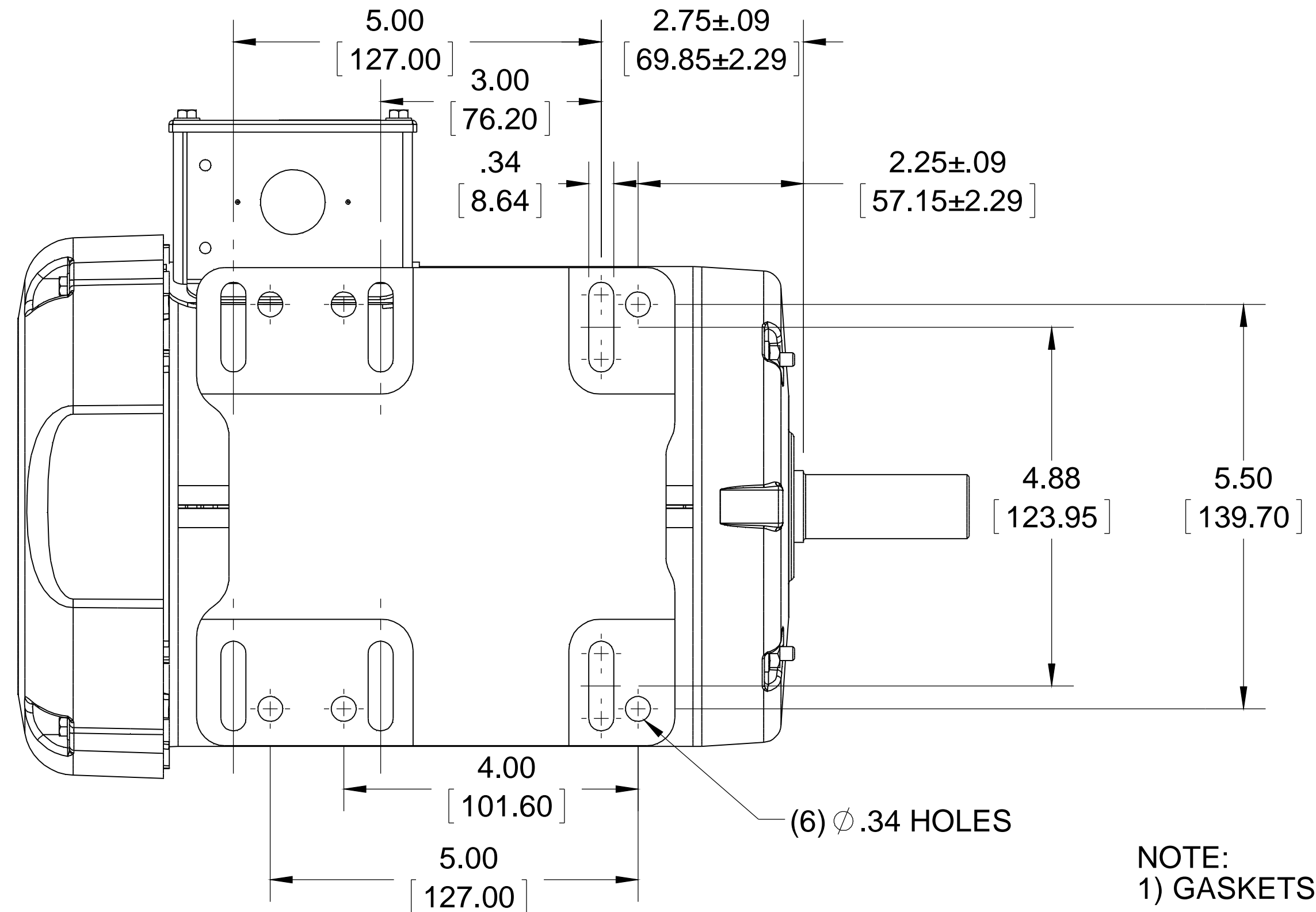
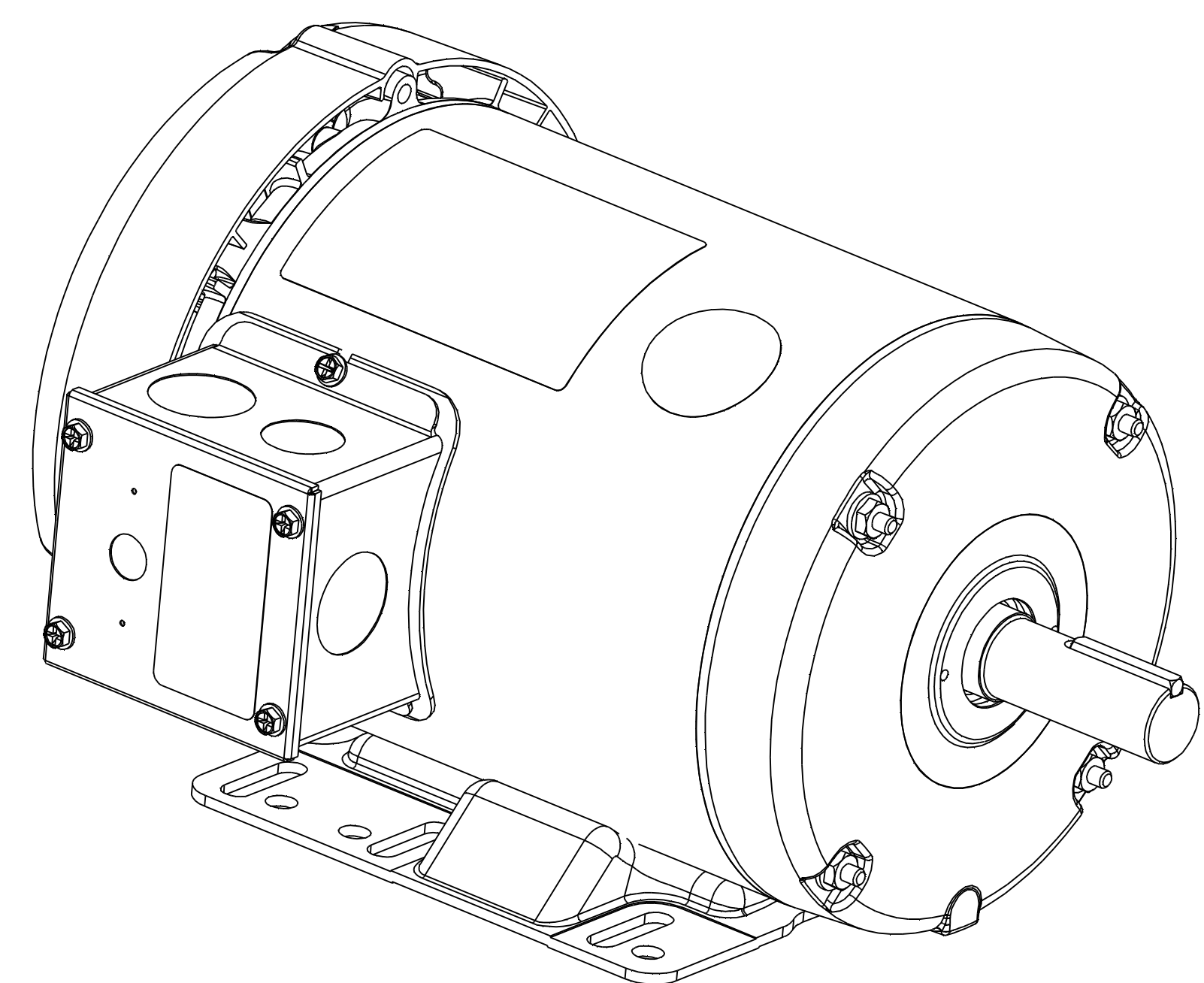
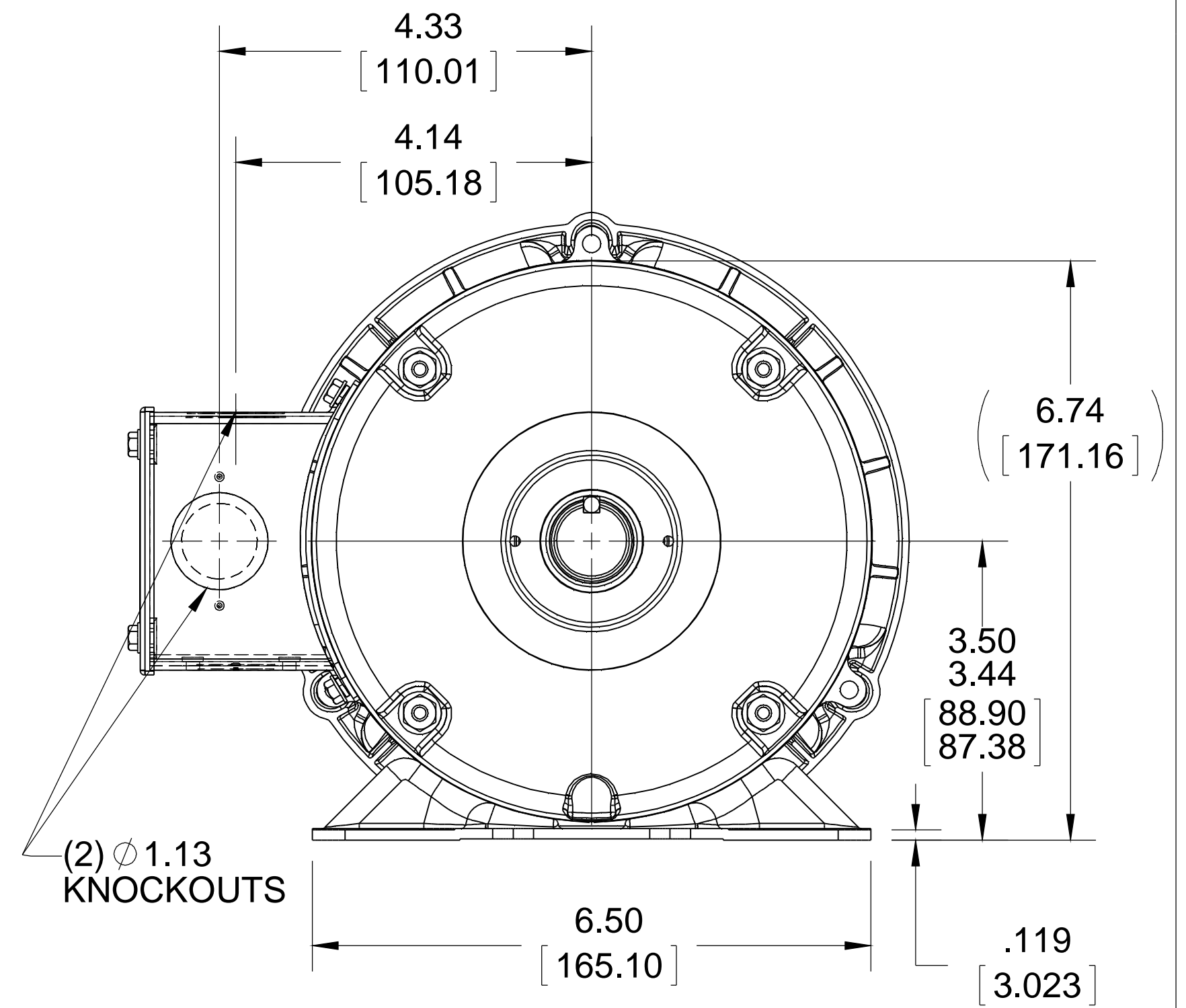
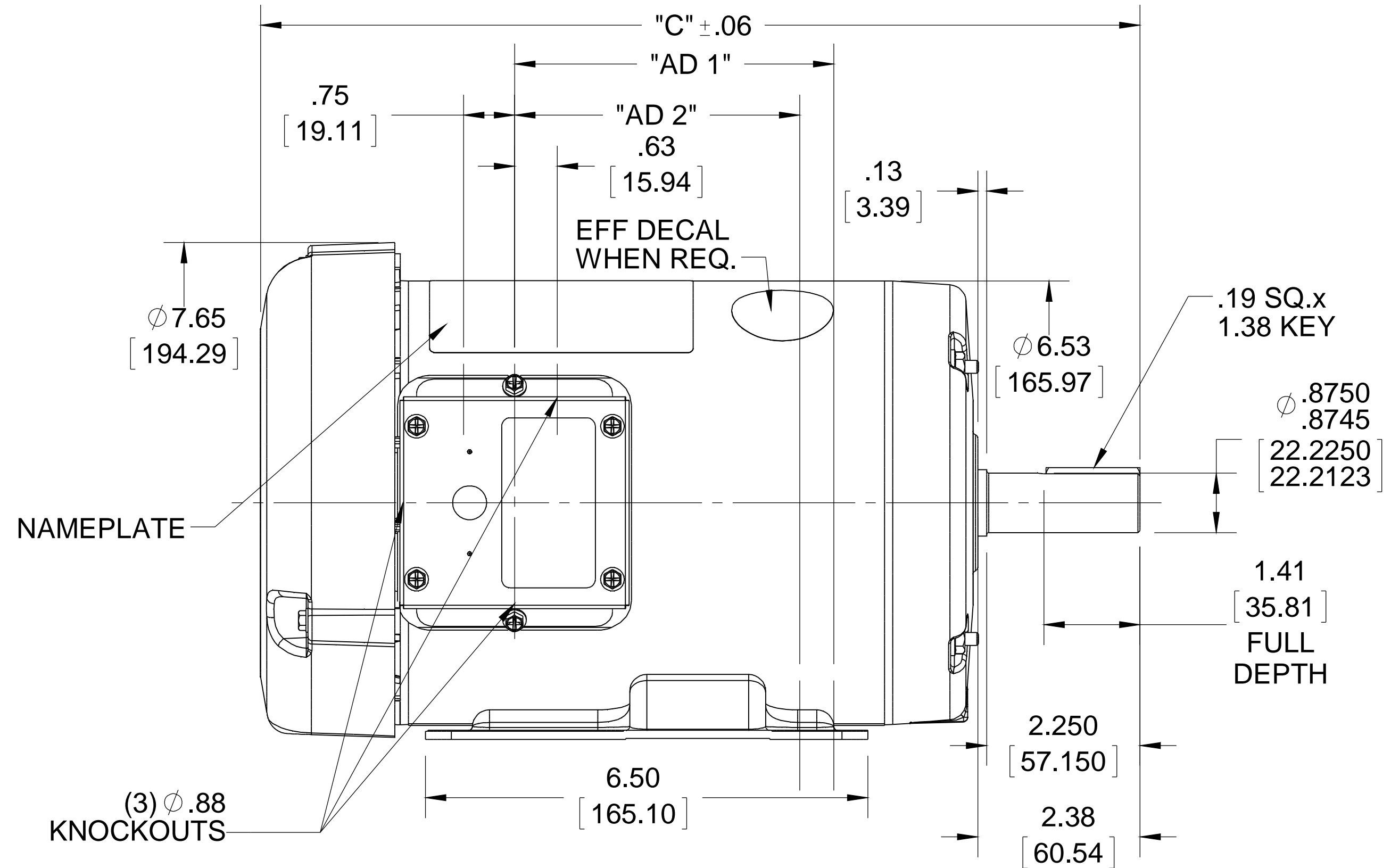
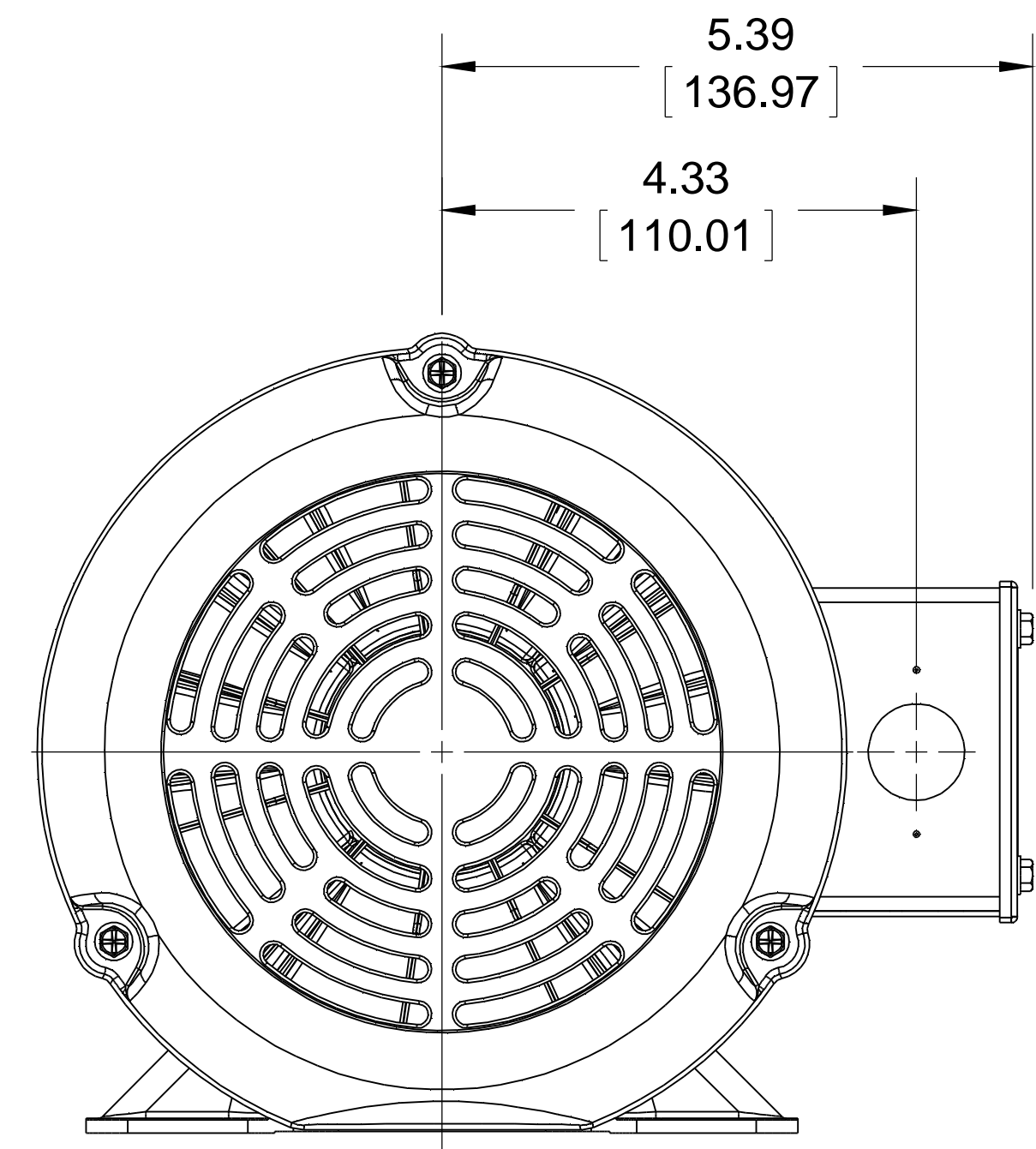


Nameplate Specifications

Phase	3	Output HP	2 Hp
Output KW	1.5 kW	Voltage	200 V
Speed	1750 rpm	Service Factor	1.15
Frame	145T	Enclosure	Totally Enclosed Fan Cooled
Thermal Protection	No Protection	Efficiency	86.5 %
Ambient Temperature	40 °C	Frequency	60 Hz
Current	6.3 A	Power Factor	78.9
Duty	Continuous	Insulation Class	F
Design Code	B	KVA Code	L
Drive End Bearing Size	6205	Opp Drive End Bearing Size	6203
UL	Recognized	CSA	Y
CE	Y	IP Code	43
Number of Speeds	1		

Technical Specifications

Electrical Type	Squirrel Cage Inverter Rated	Starting Method	Line Or Inverter
Poles	4	Rotation	Reversible
Resistance Main	0 Ohms	Mounting	Rigid Base
Motor Orientation	Horizontal	Drive End Bearing	Ball
Opp Drive End Bearing	Ball	Frame Material	Rolled Steel
Shaft Type	T	Overall Length	14.43 in
Frame Length	8.50 in	Shaft Diameter	0.875 in
Shaft Extension	2.38 in	Assembly/Box Mounting	F1 ONLY
Inverter Load	CONSTANT 10:1		
Outline Drawing	028765-850	Connection Drawing	005102.01ME



NOTE:
1) GASKETS THROUGHOUT

DASH NO.	"C"	"AD 1"	"AD 2"	ORACLE REV	10
600	11.93	3.69	3.19		
650	12.43	4.19	3.69		
675	12.68	4.44	3.94		
700	12.93	4.69	4.19		
725	13.18	4.94	4.44		
750	13.43	5.19	4.69		
800	13.93	5.69	5.19		
850	14.43	6.19	5.69		

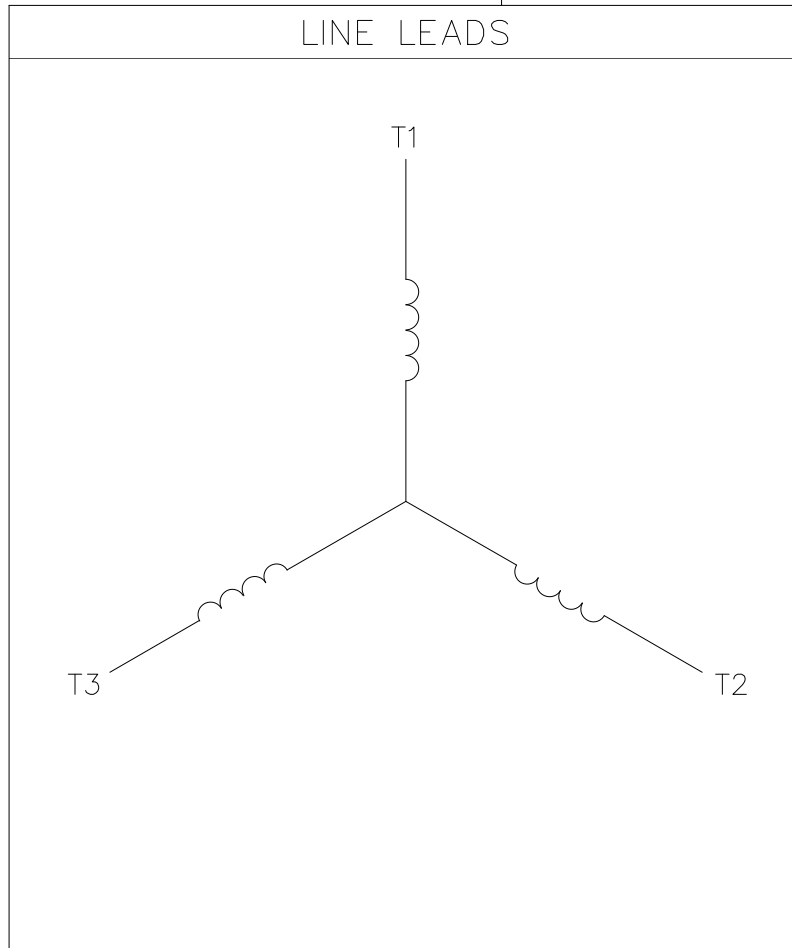
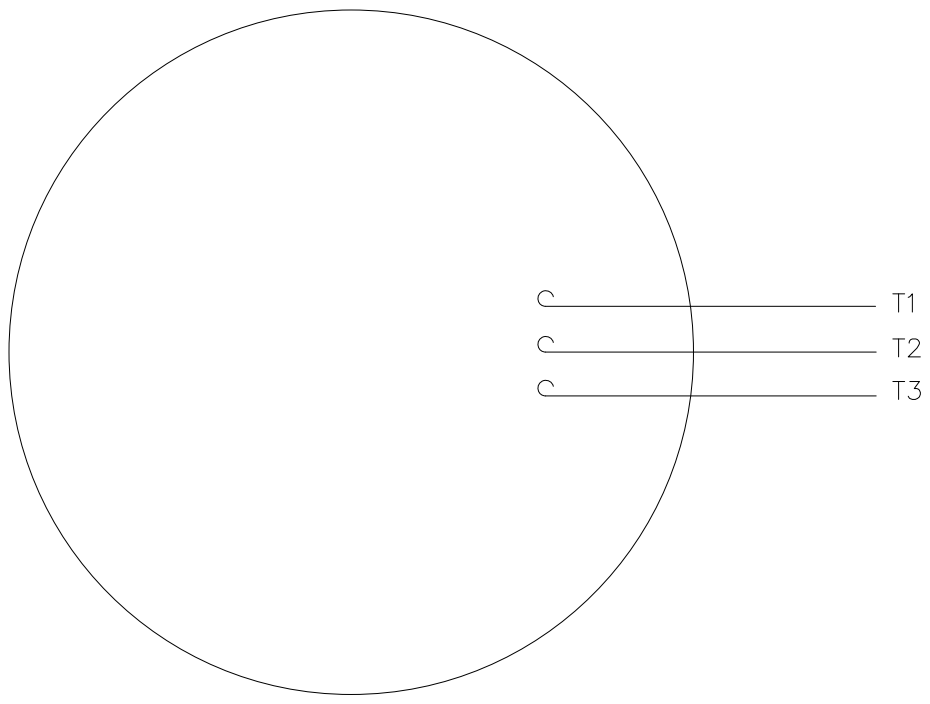
DRAWING REVISION H	REVISION BY LST	DATE 4/10/15
ECO ECO-0075607	APPROVED BY SK	DATE 8/17/2014
ECO DESCRIPTION UPDATE DASH TABLE		
<small>COPYRIGHT REGAL BELOIT AMERICA, INC. ALL RIGHTS RESERVED. PROPRIETARY AND CONFIDENTIAL INFORMATION - THIS DOCUMENT IS THE PROPERTY OF REGAL BELOIT AMERICA, INC. ("OWNER") AND CONTAINS OWNER'S PROPRIETARY INFORMATION. ANY PERSON, CORPORATION OR OTHER FIRM RECEIVING IT IS DEEMED, BY RECEIVING IT, TO AGREE THAT IT, AND/OR ANY PART OF IT, SHALL NOT BE DISCLOSED TO ANY PERSON, CORPORATION OR OTHER ENTITY, DUPLICATED, AND/OR USED, EXCEPT AS EXPRESSLY APPROVED IN WRITING IN ADVANCE BY OWNER. THIS DOCUMENT SHALL BE RETURNED TO OWNER UPON REQUEST. IT MAY BE SUBJECT TO CERTAIN RESTRICTIONS UNDER APPLICABLE EXPORT CONTROL LAWS AND REGULATIONS.</small>		

TOLERANCES UNLESS OTHERWISE SPECIFIED:			
DEC.	INCH	mm	ANGLE
.X	±0.1	[±2.5]	±0.5°
.XX	±0.03	[±0.76]	
.XXX	±0.005	[±0.127]	
.XXXX	±0.0005	[±0.0127]	
REMOVE BURRS & BREAK SHARP EDGES: .003/.015 [0.076/.381]			
CORNER FILLETS: .02 [0.51]			
MACHINED SURFACES: 125 INCH 3.2 mm			
mm SHOWN IN [BRACKETS]			

DRAWN BY JJK
DATE 06/13/07
APPROVED BY
DATE
REFERENCE 034941
THIRD ANGLE PROJECTION


REGAL ™ Regal Beloit America, Inc.	
DESCRIPTION OUTLINE 140T/56HZ FRAME TEFC - RIGID	
MATERIAL	PROCESS/FINISH GENERAL PURPOSE
SIZE B	DRAWING NUMBER 028765
	SHEET 1 OF 1

VIEW FROM OUTSIDE OF MOTOR AT SWITCH END.



CONNECT LEADS AS FOLLOWS
FOR FOUR CONDUCTOR CORD ()

CORD	L1 (RED)	L2 (WHITE)	L3 (BLACK)	(GREEN)
MOTOR	T1	T2	T3	GROUND

				TOLERANCES UNLESS SPECIFIED		 Regal Beloit America, Inc.		DRAWN RDW 5/1/02		
				DEC.	INCHES			CHK		
				.X	±.1			APPD		
				.XX	±.01			SCALE 1=1		
				.XXX	±.005			REF		
1	CHG FROM MARATHON TO RRX TEMPLATE AS PER ECR-0237142	KVDG 09/18/24	DS	.XXXX	±.0005	MAT'L. DECAL - 004169		FMF		
NO.	REVISION	BY & DATE	CHK	ANG	±1/2"	FINISH		PREV		
THIS DRAWING IN DESIGN AND DETAIL IS OUR PROPERTY AND MUST NOT BE USED EXCEPT IN CONNECTION WITH OUR WORK ALL RIGHTS OF DESIGN AND INVENTION ARE RESERVED THIS IS AN ELECTRONICALLY GENERATED DOCUMENT - DO NOT SCALE THIS PRINT				RFP	5/1/02	CAD FILE 00510201ME		SIZE	DRAWING NO.	REV.
				DIST				A	005102-01ME	1

Data Sheet

Date: 19-06-2017
 Customer: _____
 Attention: _____
 Submitted by: FAREEDA DUDEKULA



145TFR16039

Submittal

Data @ 200 V

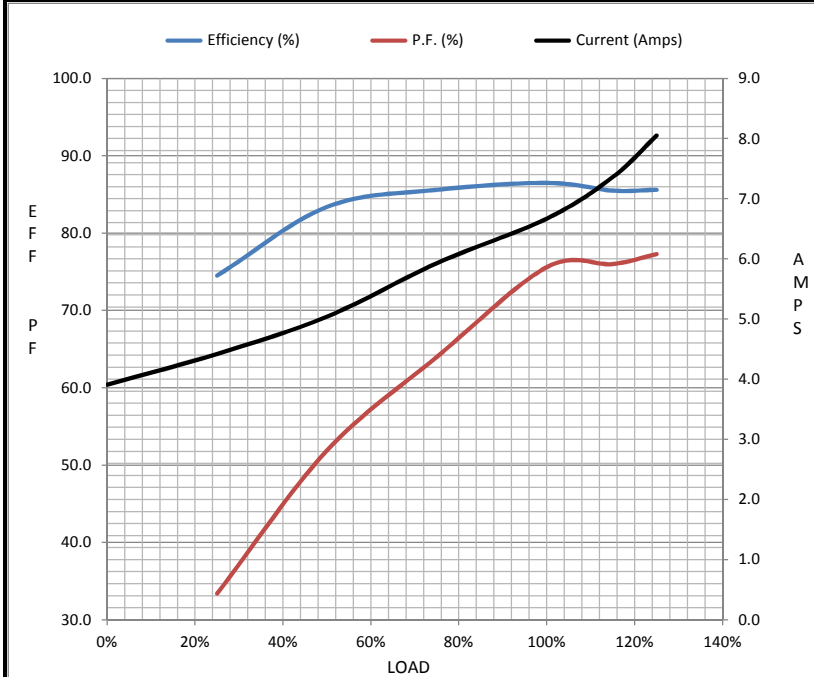
Motor Load Data

Load	0%	25%	50%	75%	100%	115%	125%	LR
Current (Amps)	3.9	4.4	5.0	5.9	6.7	7.4	8.1	61.0
Torque (ft-lb)	0.00	1.50	3.0	4.5	6.0	6.5	7.5	18.8
RPM	1800	1787	1774	1763	1751	1,730	1732	0
Efficiency (%)		74.5	83.4	85.6	86.5	85.5	85.6	
P.F. (%)	7.1	33.4	51.9	64.0	75.6	76.0	77.3	42.0

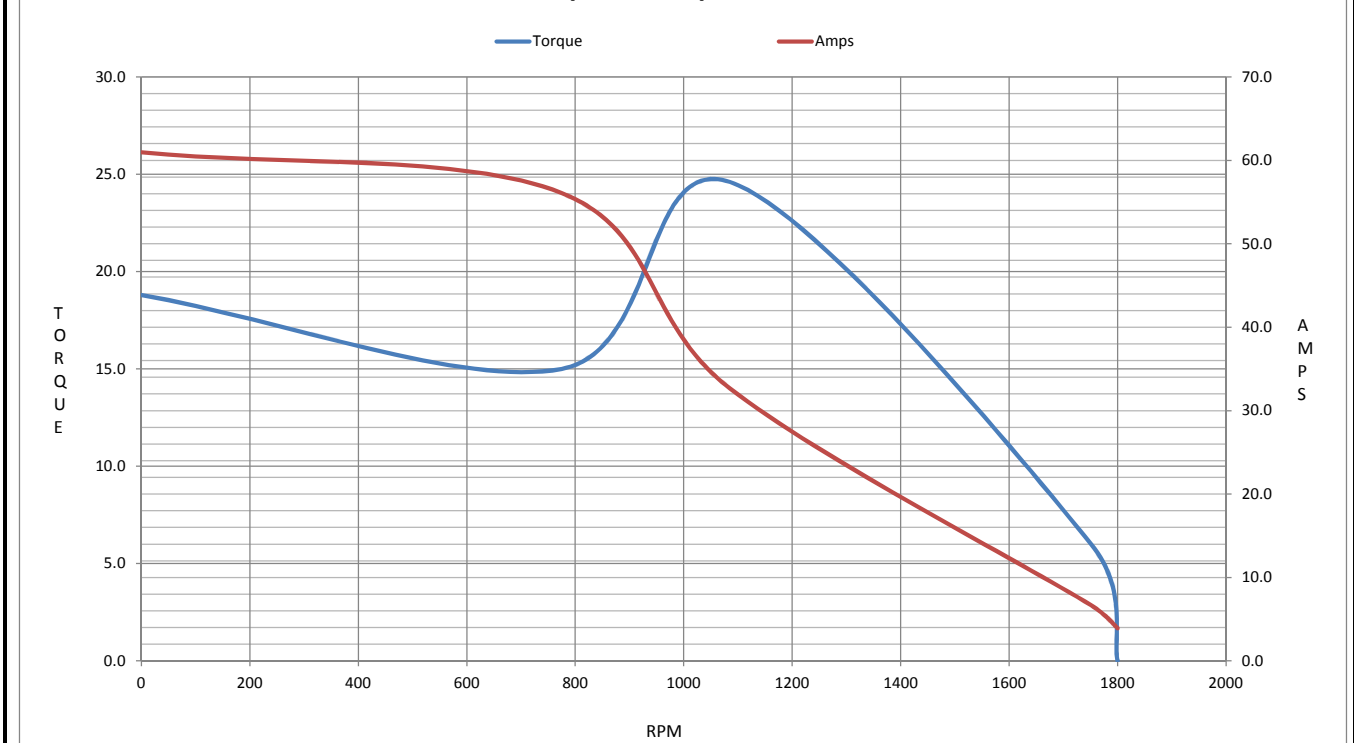
Motor Speed Data

	LR	Pull-Up	BD	Rated	Idle
Speed (RPM)	0	775	1085	1751	1800
Current (Amps)	61.0	56.1	32.7	6.7	3.9
Torque (ft-lb)	18.8	15.0	24.6	6.0	0.00

Information Block				
HP	2.0			
Sync. RPM	1800			
Frame	140			
Enclosure	TEFC			
Construction	TFR			
Voltage	200 V			
Frequency	60 Hz			
Design	A			
LR Code letter	L			
Service Factor	1.15			
Temp Rise @ FL	53 °C			
Duty	CONT			
Ambient	40 °C			
Elevation	1,000 feet			
Rotor/Shaft wk ²	0.16 Lb-Ft ²			
Ref Wdg	T634340 FR			
Sound Pressure @ 1M	65 dBA			
VFD Rating	CONSTANT 10:1			
Outline Dwg	028765-850			
Conn. Diag	005102.01ME			
Additional Specifications:				
0				
365THFS8036				
EQUIV CKT (OHMS / PHASE)				
R1	R2	X1	X2	Xm
0.0000	0.0000	0.0000	0.0000	0.0000



Speed - Torque Curve



EC Declaration of Conformity

The undersigned representing
the manufacturer:

Regal Beloit America
1946 West Cook Road
Fort Wayne, IN 46818

and the authorized representative
established within the Community:

Regal Beloit Italy
Via Modena, 18
24040 Ciserano(BG) - Italy

are committed to providing customers with products that comply with applicable regulations and international protocols to which they are subject, including the requirements of the European Parliament Directive on the Harmonization of the laws relating to electrical equipment designed for use within certain voltage limits (2014/35/EU).

Regal Beloit America declares that the following product(s), to which this declaration relates, are in conformity with the relevant sections of the EC standards listed below.

This statement supersedes any statements previously issued pertaining to the product(s) listed below and is subject to change without notice.

Model No : 145TTFR16039

(Model No. may contain prefix and/or suffix characters)

Catalog No : E2157

Rework No : N/A

Directives :

Low Voltage Directive 2014/35/EU

Harmonized Standards Used :

EN 60034-1: 2010 (IEC 60034-1: 2010)

EN 60034-5: 2001/A1:2007 (IEC 60034-5: 2000/A1:2006)

Authorized Representative:



Zach Stauffer
Vice President, Engineering

Authorized Representative in the Community:



Stefano Casiraghi
Technology Director, Engineering

Created on 07/08/2025

CE 25