

# PRODUCT INFORMATION PACKET



Model No: 153A  
Catalog No: 153A

OEM Replacement Motor, 1/8 HP, 1 Ph, 60 Hz, 115 V, 1050 RPM, 1 Speed, 48 Frame, ENCLOSED



Regal and Century are trademarks of Regal Rexnord Corporation or one of its affiliated companies.  
©2022 Regal Rexnord Corporation, All Rights Reserved. MC017097E





**Nameplate Specifications**

Output HP	1/8 Hp	Output KW	0.10 kW
Frequency	60 Hz	Voltage	115 V
Current	1.8 A	Speed	1050 rpm
Service Factor	1	Phase	1
Duty	Air Over	Insulation Class	B
Frame	F48Y	Enclosure	Totally Enclosed
Thermal Protection	Automatic	Ambient Temperature	40 °C
UL	Recognized	CSA	Y
CE	N	Number of Speeds	1

**Technical Specifications**

Electrical Type	Permanent Split Capacitor	Starting Method	Across The Line
Poles	6	Rotation	Counterclockwise Lead End
Mounting	Round Belly Band	Motor Orientation	Horizontal
Drive End Bearing	Sleeve	Opp Drive End Bearing	Sleeve
Frame Material	Rolled Steel	Shaft Type	Flat
Overall Length	7.54 in	Frame Length	3.37 in
Shaft Diameter	0.500 in	Shaft Extension	3.05 in
Outline Drawing	F48AA39A01	Connection Drawing	614131-007

This is an uncontrolled document once printed or downloaded and is subject to change without notice. Date Created:11/28/2022

4

3

2

1

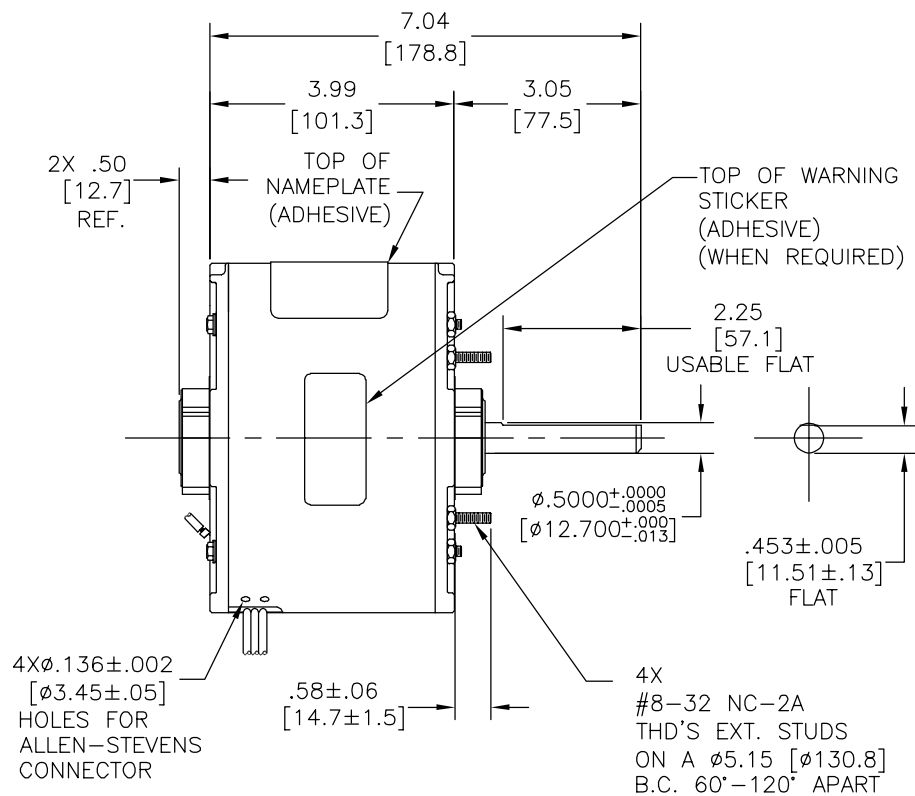
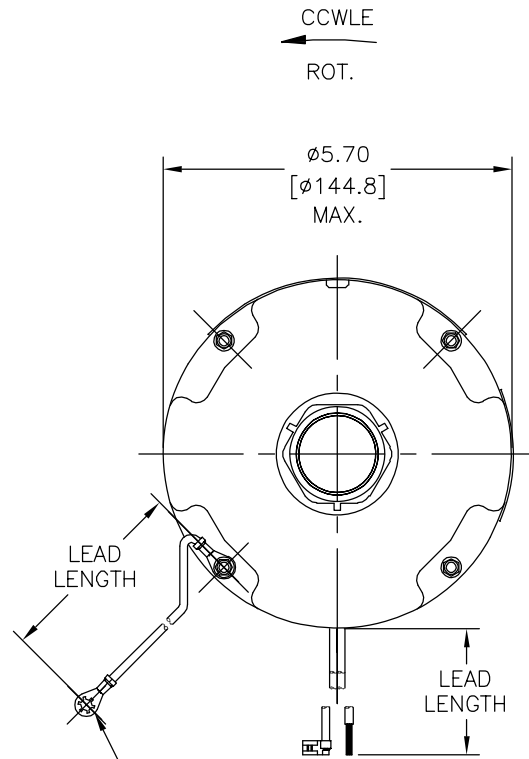
REV	ECO	REV BY	DATE	APPD	DATE
C	0025525	E.SINECIO	04-23-2012	R.RASCON	04-23-2012

GENERAL INFORMATION:

SHAFT RUNOUT: .001 [.03] T.I.R. PER INCH LENGTH OF EXTENSION  
 END PLAY: .010 [.25] TO .063 [1.60]  
 BEARINGS: SLEEVE  
 MOUNTING POSITION: HORIZONTAL

ELECTRICAL DATA:

OVERLOAD PROTECTOR: AUTOMATIC RESET (T.I. 7AM 036)  
 LEADS: NO. 18 GA., .03 [.8] THK. XLP 125°C INSUL.  
 GROUND LEAD: NO. 16 GA., .03 [.8] THK. (GREEN/YELLOW) INSUL.



NAMEPLATE DATA:	EXTERNAL CONNECTION DIAGRAM
MODEL NO.: F48AA39A01 CUST. P/N: 153A HP: 1/8 ROT.: CCWLE RPM: 1050 TYPE: UF FRAME: 48Y VOLTS: 115 PH: 1 AMPS: 1.8 HZ: 60 INS.: B AMB.: 40°C DUTY: AIR OVER CAP.: 5 MFD/370V ENCL: ENCLOSED UL LOGO CSA LOGO THERMALLY PROTECTED	
614131-007	

GRN/YEL(GRD)	12.0/13.0 [305/330]	#10 EYELET
BROWN/WHITE	34.5/37.5 [876/953]	.25[6.4] FLAG
BROWN	34.5/37.5 [876/953]	.25[6.4] FLAG
WHITE	34.5/37.5 [876/953]	.50[12.7] SKIN
BLACK	34.5/37.5 [876/953]	.50[12.7] SKIN
COLOR	LENGTH	TERMINAL OR STRIP LENGTH

MAIN FRAME - OLE	ENCLOSED
END FRAME - OLE	ENCLOSED
MAIN FRAME - LE	ENCLOSED
END FRAME - LE	ENCLOSED

CUSTOMER	DISTRIBUTION SERVICE
----------	----------------------

PERFORMANCE CURVE NO.	TORQUE @ 1050 RPM (25°C)	APPROVED SAMPLE	UL COMPONENT FILE #	CCN #	CSA FILE #	CLASS #
C32779	11.5 OZ. FT.	0702685A	E46412	PRGY2	LR43341	4211-01

GEOMETRIC CHARACTERISTICS & SYMBOLS  
 ▽ FLATNESS  
 - STRAIGHTNESS  
 < ANGLARITY  
 ⊥ PERPENDICULARITY (SQUARENESS)  
 // PARALLELISM  
 ○ ROUNDNESS (CIRCULARITY)  
 ∅ CYLINDRICITY  
 △ PROFILE OF ANY SURFACE  
 ∩ PROFILE OF ANY LINE  
 ↑ RUNOUT  
 ⊕ TRUE POSITION  
 ⊙ CONCENTRICITY  
 = SYMMETRY  
 ASME Y14.5M 1994

REGAL-BELOIT CORPORATION (RBC) PROVIDES TECHNICAL ASSISTANCE TO OUR CUSTOMERS IN SEVERAL AREAS. SINCE RBC DOES NOT RECEIVE ALL DATA CONCERNING THE USE AND APPLICATION OF THE MOTOR, THE SUITABILITY OF THE MOTOR FOR THE APPLICATION MUST BE DETERMINED BY THE CUSTOMER.  
 DIMENSIONS WITHOUT TOLERANCES ARE FOR REFERENCE ONLY.

DR BY: C.ZHOU 11-09-2007  
 APPD: .  
 THIRD ANGLE PROJECTION  
 EDS DATE 02-22-2008  
 FORMAT REV G  
 CONFIDENTIAL: THIS DRAWING AND ITS INFORMATION ARE THE EXCLUSIVE AND CONFIDENTIAL PROPERTY OF REGAL-BELOIT CORPORATION AND ARE NOT TO BE DISCLOSED, DUPLICATED, DISTRIBUTED OR OTHERWISE USED WITHOUT THE WRITTEN CONSENT OF REGAL-BELOIT CORPORATION. -ALL RIGHTS RESERVED.

REGAL-BELOIT CORPORATION  
 DESCRIPTION: MODEL-RFHP-48FR OUTLINE  
 SIZE: C DWG NO: F48AA39A01  
 SCALE: NONE SHEET: 1

4

3

2

1

4

3

2

1

REVISION:	ECO	REVISADO POR:	FECHA:	APROBADO POR:	FECHA:
C	0025525	E.SINECIO	04-23-2012	R.RASCON	04-23-2012

INFORMACION GENERAL:

OSCILACION DE FLECHA: .001 [.03] T.I.R. PER INCH LENGTH OF EXTENSION

BALEROS: BALAS

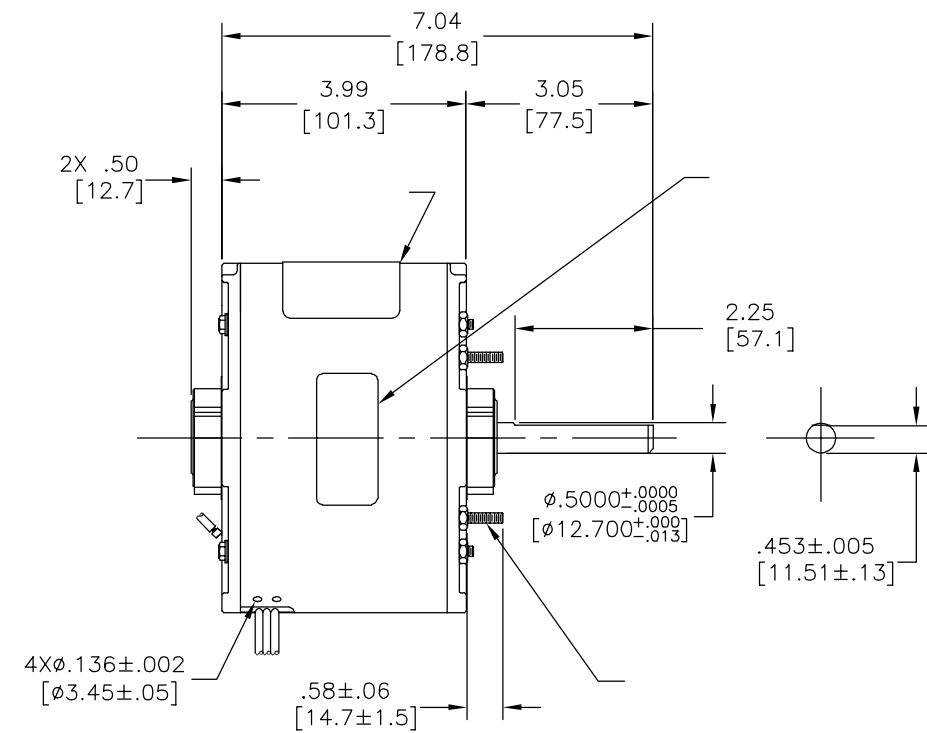
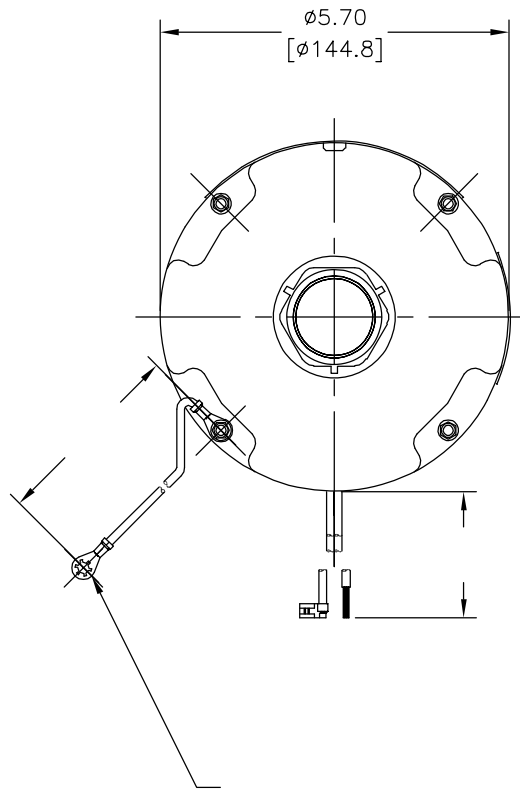
POSICION DEL MONTAJE: FLECHA VERTICAL HACIA ABAJO

INFORMACION ELECTRICA:

SOBRECARGA DEL PROTECTOR: REINICIO AUTOMATIC (T.I. 7AM 036)

CABLES: NO. 18 GA., .06 [1.5] THK. PVC 105°C AISLAM.

CABLE DE TIERRA: NO. 18 GA., .03 [.8] THK. (VERDE) AISLAM.



MODEL NO.: F48AA39A01	
CUST. P/N: 153A HP: 1/8 ROT.: CCW RPM: 1050 TYPE: UF FRAME: 48Y VOLTS: 115 PH: 1 AMPS: 1.8 HZ: 60 INS.: B AMB.: 40°C DUTY: AIR OVER CAP.: 5 MFD/370V ENCL: ENCLOSED UL LOGO CSA LOGO THERMALLY PROTECTED	
614131-007	

CURVAS DE FUNCIONAMIENTO	TORSION @ RPM (25°C)	MUESTRA APROBADA	COMPONENTE UL	CSA
C32779	11.5 OZ. FT.	0702685A	#ARCHIVO CCN #	#ARCHIVO CLASE #
			E46412 PRGY2	LR43341 4211-01

CARACTERISTICAS DE GEOMETRIA Y SIMBOLOS ▢ PLANICIDAD — RECTITUD ∠ ANGULARIDAD ⊥ PERPENDICULARIDAD (A ESCUADRA) // PARALELISMO ○ REDONDEZ (CIRCULARIDAD) ∅ CILINDRICIDAD △ PERFIL DE CUALQUIER SUPERFICIE ∩ PERFIL DE CUALQUIER LINEA ↗ VARIACION ⊕ POSICION REAL ⊙ CONCENTRICIDAD = SIMETRIA	REGAL-BELOIT CORPORATION (RBC) PROVEE ASISTENCIA TECNICA A NUESTROS CLIENTES EN VARIAS AREAS, DESDE QUE RBC NO RECIBE TODOS LOS DATOS EN RELACION AL USO Y A LA APLICACION DEL MOTOR, LA APLICACION ADECUADA DEL MOTOR DEBE SER DETERMINADA POR EL CLIENTE.  DIMENSIONES SIN TOLERANCIA SON DE REFERENCIA SOLAMENTE
---	---

DIBUJADO POR: C.ZHOU	11-09-2007
APROBADO POR:	
TERCER ANGULO DE PROYECCION	FECHA EDS: 02-22-2008 REV. FORMATO: G
CONFIDENCIAL: ESTE DIBUJO Y SU INFORMACION SON PROPIEDAD DE USO EXCLUSIVO Y CONFIDENCIAL DE REGAL-BELOIT CORPORATION. Y NO DEBERAN SER REVELADOS, DUPLICADOS, DISTRIBUIDOS O USARSE DE OTRA MANERA SIN EL CONSENTIMIENTO ESCRITO DE REGAL-BELOIT CORPORATION. -TODOS LOS DERECHOS RESERVADOS.	

DE CARCASA - OLE	
DE TAPA - OLE	
DE CARCASA - LE	
DE TAPA - LE	
TIPO DE MOTOR	
CLIENTE	

DESCRIPCION: MODEL-RFHP-48FR OUTLINE	
TAMAÑO: C	NUMERO DE DIBUJO: F48AA39A01
ESCALA: NONE	HOJA: 1

4

3

2

1

4

3

2

1

版本	ECO	编制	日期	批准	日期
C	0025525	E.SINECIO	04-23-2012	R.RASCON	04-23-2012

总要求:

轴跳动: 0.03/25.4mm(外伸轴).

轴承: 球轴承.

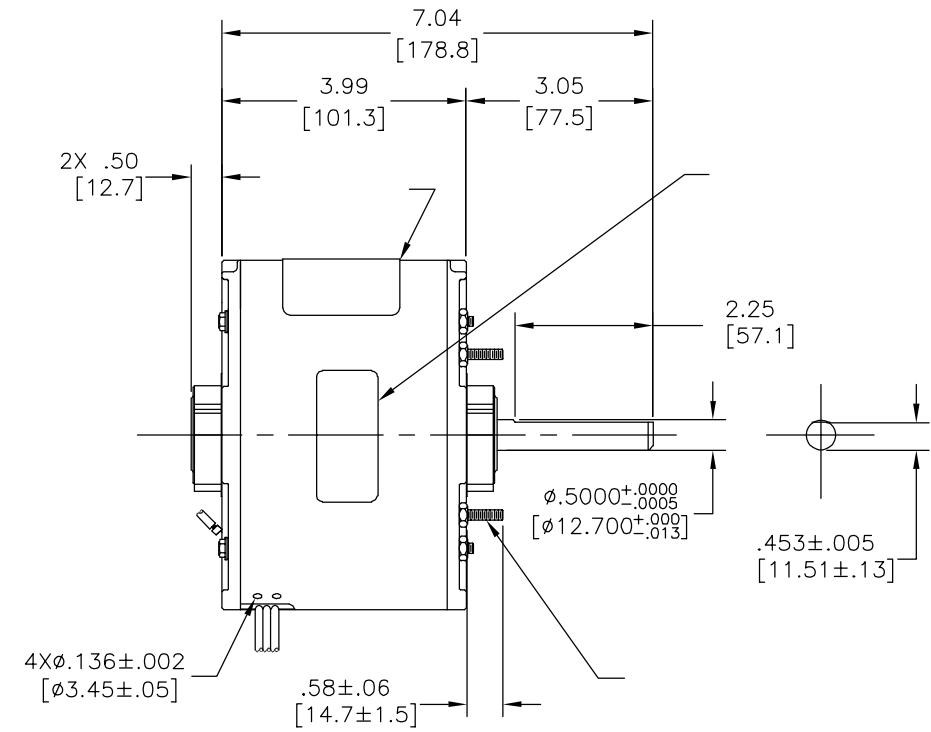
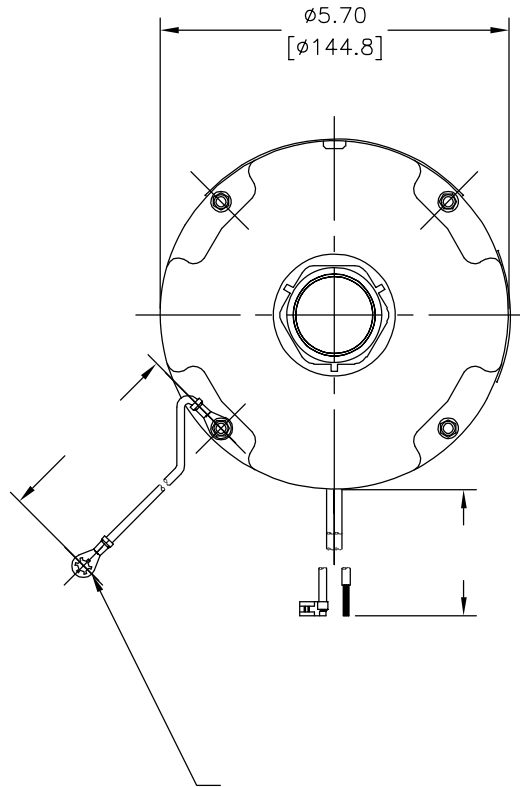
安装位置: 垂直 - 轴向下

电气数据:

过载保护: 自动复位 (T. I. 7AM 036)

引线: 18GA, 厚.06[1.5] PVC 105°C 绝缘

接地线: 18GA, 厚.03[0.8] 绿色绝缘



MODEL NO.: F48AA39A01	SEP. CAP.
CUST. P/N: 153A	
HP: 1/8 铭牌数据	外部连接详图
ROT.: CCWLE	BRN/WHT
RPM: 1050	
TYPE: UF	
FRAME: 48Y	
VOLTS: 115	
PH: 1	
AMPS: 1.8	
HZ: 60	
INS.: B	
AMB.: 40°C	
DUTY: AIR OVER	
CAP.: 5 MFD/370V	
ENCL: ENCLOSED	
UL LOGO	
CSA LOGO	
THERMALLY PROTECTED	

614131-007

性能曲线编号	转矩在 --- RPM (25° C)	批准样品	UL 部件		CSA	
			文件号	指南	文件号	指南
C32779	11.5 OZ. FT.	0702685A	E46412	PRGY2	LR43341	4211-01

颜色	长度	端子或剥线长度

非引线端机壳	
非引线端端盖	
引线端机壳	
引线端端盖	

用户	
----	--

- 形位公差
- 平面度
- 直线度
- ∠ 倾斜度
- ⊥ 垂直度
- // 平行度
- 圆度
- ⊘ 圆柱度
- △ 面轮廓度
- ∩ 线轮廓度
- ↗ 圆跳动
- ⊕ 位置度
- ⊙ 同轴度
- ≡ 对称度

ASME Y14.5M 1994

REGAL-BELOIT CORPORATION (RBC) 在个别领域为客户提供技术支持。鉴于RBC未收到任何涉及电机使用和应用环境的数据, 电机的适用性由客户自己决定。

未注公差尺寸仅供参考。

绘图: C.ZHOU	11-09-2007
批准:	
第三角投影	
机密: 本图纸及相关信息所有权归REGAL-BELOIT CORPORATION。未经REGAL-BELOIT CORPORATION书面授权, 不得泄露、复制、传播或作其他用途。一版权所有	

名称: MODEL-RFHP-48FR OUTLINE	
图幅: C	图号: F48AA39A01
比例: NONE	页号: 1

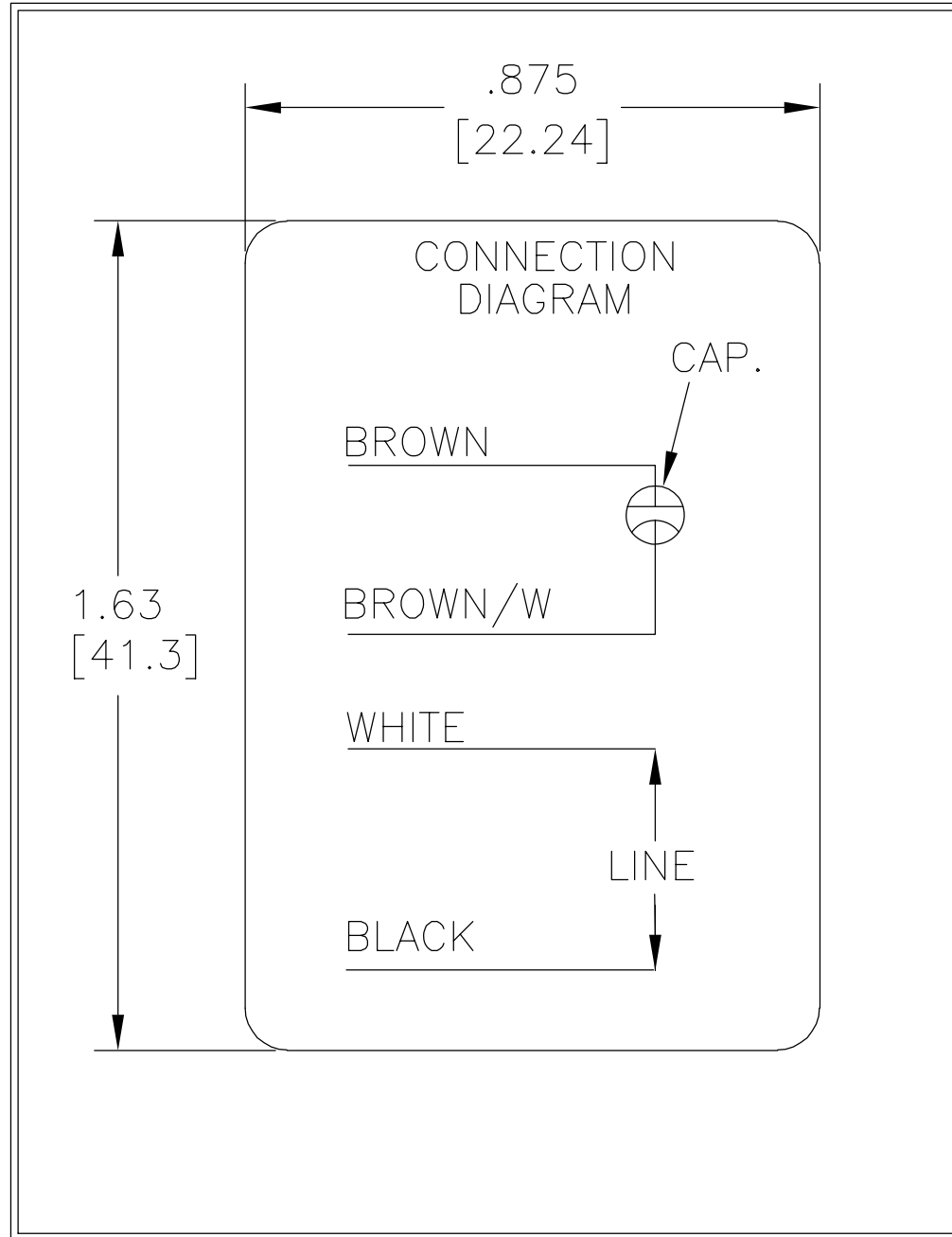
4

3

2

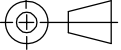
1

REV	ECO	REV BY	DATE	APPD	DATE
C	0029048	D.RODRIGUEZ	10-18-2012	J.HESS	10-18-2012



GEOMETRIC CHARACTERISTICS & SYMBOLS  
 ▭ FLATNESS  
 — STRAIGHTNESS  
 < ANGLARITY  
 ⊥ PERPENDICULARITY (SQUARENESS)  
 // PARALLELISM  
 ○ ROUNDNESS (CIRCULARITY)  
 ∅ CYLINDRICITY  
 △ PROFILE OF ANY SURFACE  
 ∩ PROFILE OF ANY LINE  
 † RUNOUT  
 ⊕ TRUE POSITION  
 ⊙ CONCENTRICITY  
 ≡ SYMMETRY

UNLESS OTHERWISE SPECIFIED  
 DIM. TOLERANCES ARE AS FOLLOWS:  
 INCH X XX XXX XXXX  
 ±.1 ±.02 ±.005 ±.0005  
 mm ±0.5 ±0.13 ±0.013  
 ANG. ±.50 DEG  
 REMOVE BURRS & BREAK SHARP EDGES:  
 INCH .003-.015 mm 0.1-0.4  
 CORNER FILLETS TO:  
 INCH .020 mm 0.5  
 MACHINE SURFACES:  
 INCH 125 mm 3.2  
 METRIC DIMS. SHOWN IN [BRACKETS]

DR BY: N.LONG 07/14/1986  
 APPD:  
 THIRD ANGLE PROJECTION  EDS DATE 11-11-2011  
 FORMAT REV H  
 CONFIDENTIAL: THIS DRAWING AND ITS INFORMATION ARE THE EXCLUSIVE AND CONFIDENTIAL PROPERTY OF REGAL-BELOIT CORPORATION AND ARE NOT TO BE DISCLOSED, DUPLICATED, DISTRIBUTED OR OTHERWISE USED WITHOUT THE WRITTEN CONSENT OF REGAL-BELOIT CORPORATION. -ALL RIGHTS RESERVED.



DESCRIPTION  
 CONN DIAGRAM-NAMEPLATE  
 SIZE A DWG NO 614131-007  
 SCALE NONE SHEET 1