

PRODUCT INFORMATION PACKET



Model No: 182TBFR5301

Catalog No: I206

General Purpose Motor, 3 HP, 1 Ph, 60 Hz, 115/208-230 V, 3600 RPM, 182T Frame, TEFC



Regal and LEESON are trademarks of Regal Rexnord Corporation or one of its affiliated companies.
©2025 Regal Rexnord Corporation, All Rights Reserved. MC017097E





Nameplate Specifications

Phase	1	Output HP	3 Hp
Output KW	2.2 kW	Voltage	115/208-230 V
Speed	3520 rpm	Service Factor	1.0
Frame	182T	Enclosure	Totally Enclosed Fan Cooled
Thermal Protection	No Protection	Efficiency	81.5 %
Ambient Temperature	40 °C	Frequency	60 Hz
Current	24.6/13.9-12.3 A	Power Factor	97
Duty	Continuous	Insulation Class	B
Design Code	L	KVA Code	H
Drive End Bearing Size	6206	Opp Drive End Bearing Size	6203
UL	Recognized	CSA	Y
CE	Y	IP Code	43
Number of Speeds	1		

Technical Specifications

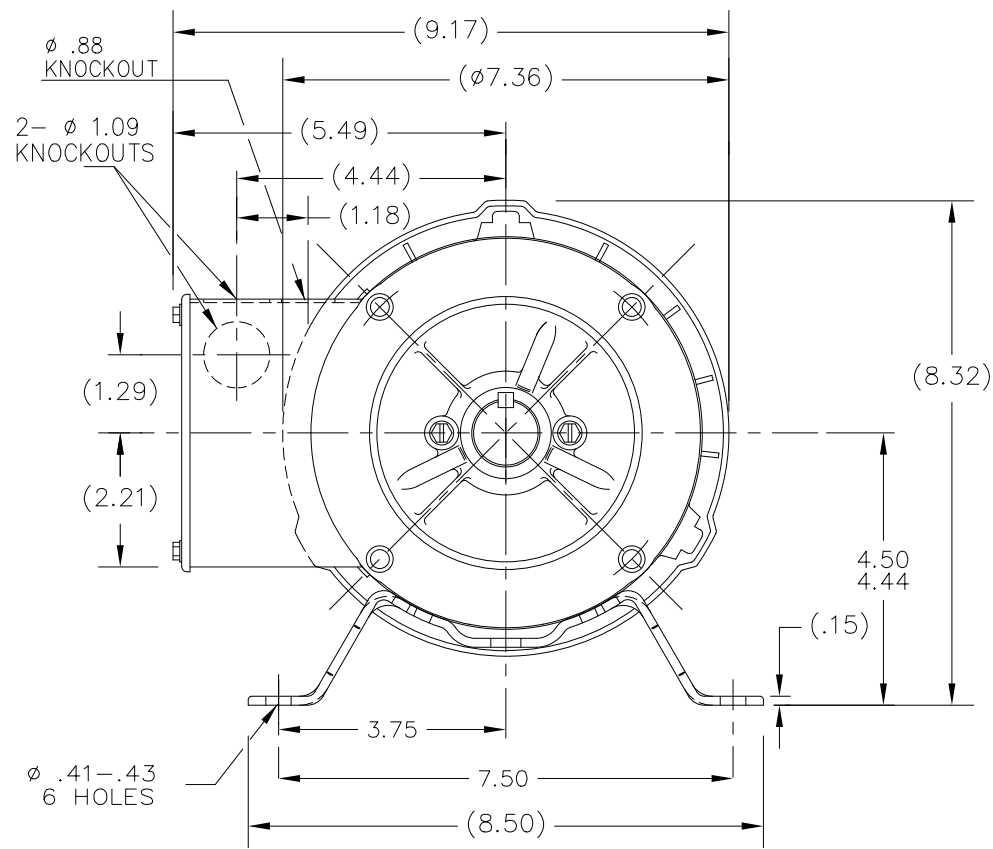
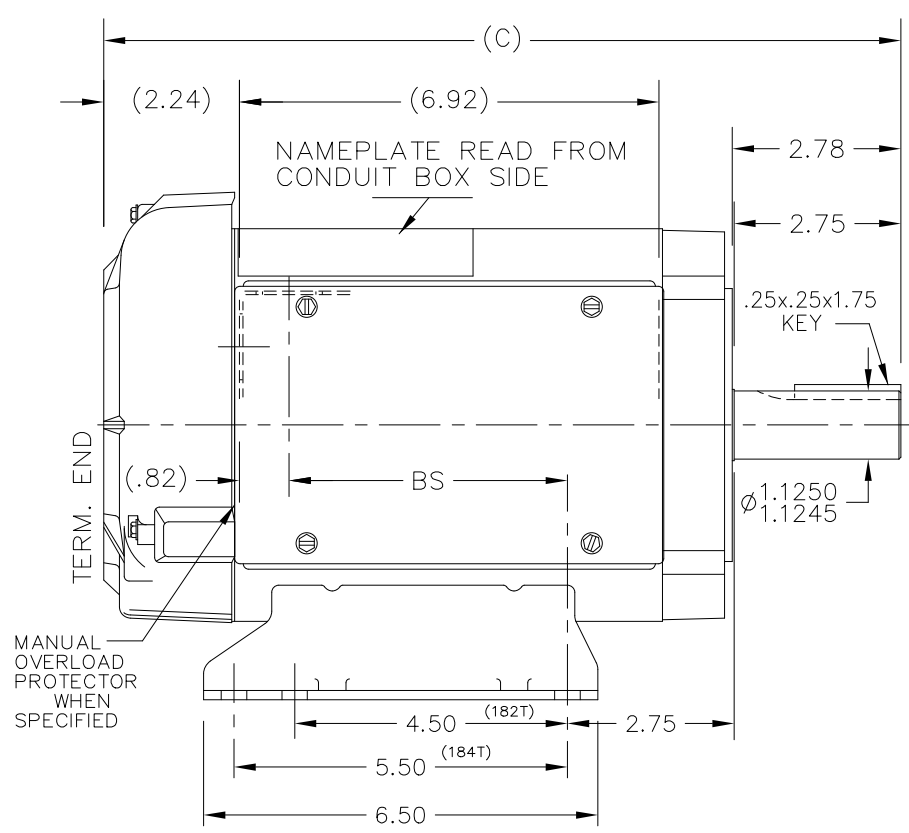
Electrical Type	Capacitor Start Capacitor Run	Starting Method	Across The Line
Poles	2	Rotation	Selective Counterclockwise
Resistance Main	0 Ohms	Mounting	Rigid Base
Motor Orientation	Horizontal	Drive End Bearing	Ball
Opp Drive End Bearing	Ball	Frame Material	Rolled Steel
Shaft Type	T	Overall Length	16.15 in
Frame Length	10.06 in	Shaft Diameter	1.125 in
Shaft Extension	2.78 in	Assembly/Box Mounting	F1 ONLY
Outline Drawing	A-100330-1006	Connection Drawing	102006-51

4

3

2

1



DASH	FR.	C	BS
856	180T	14.65	6.10
906	180T	15.15	6.60
956	180T	15.65	7.10
1006	180T	16.15	7.60

DRAWING REVISION 3	REVISION BY KVDG	REV DATE/ DATE 05/07/2025
REQUEST NUMBER ECR-0242555	APPROVED BY DS	DATE 05/07/2025

REQUEST NUMBER DESCRIPTION
UPDATED THE DRAWING TO RRX TEMPLATE.

COPYRIGHT (PER REVISION DATE) REGAL BELOIT AMERICA, INC. ALL RIGHTS RESERVED. PROPRIETARY AND CONFIDENTIAL INFORMATION - THIS DOCUMENT IS THE PROPERTY OF REGAL BELOIT AMERICA, INC. (OWNER) AND CONTAINS OWNER'S PROPRIETARY INFORMATION. ANY PERSON, CORPORATION OR OTHER FIRM RECEIVING IT IS DEEMED, BY RECEIVING IT, TO AGREE THAT IT, AND/OR ANY PART OF IT, SHALL NOT BE DISCLOSED TO ANY PERSON, CORPORATION OR OTHER ENTITY, DUPLICATED, AND/OR USED, EXCEPT AS EXPRESSLY APPROVED IN WRITING IN ADVANCE BY OWNER. THIS DOCUMENT SHALL BE RETURNED TO OWNER UPON REQUEST. IT MAY BE SUBJECT TO CERTAIN RESTRICTIONS UNDER APPLICABLE EXPORT CONTROL LAWS AND REGULATIONS.

TOLERANCES (EXCEPT AS NOTED):
 DEC. INCH mm ANGLE
 .X ± 0.1 [± 3] $\pm 0.5^\circ$
 .XX ± 0.01 [± 0.3]
 .XXX ± 0.005 [± 0.13]
 .XXXX ± 0.0005 [± 0.013]
 REMOVE BURRS & BREAK SHARP
 EDGES: .003/.015 [.08/.38] X 45
 CORNER FILLETS: R.02 [.5]
 MACHINED SURFACES: 125/ 3.2
 INCH mm
 mm DIMENSIONS IN [BRACKETS]
 ARE FOR REFERENCE ONLY

DRAWN BY GK
DATE 04-14-1989
APPROVED BY
DATE
REFERENCE
THIRD ANGLE PROJECTION

Regal Rexnord		Regal Beloit America, Inc.	
DESCRIPTION OUTLINE 140 FR. -TEFC - 10 (180T MTG)			
MAT'L	PROCESS/FINISH	DRAWING NUMBER 100330	SHEET 1 OF 1

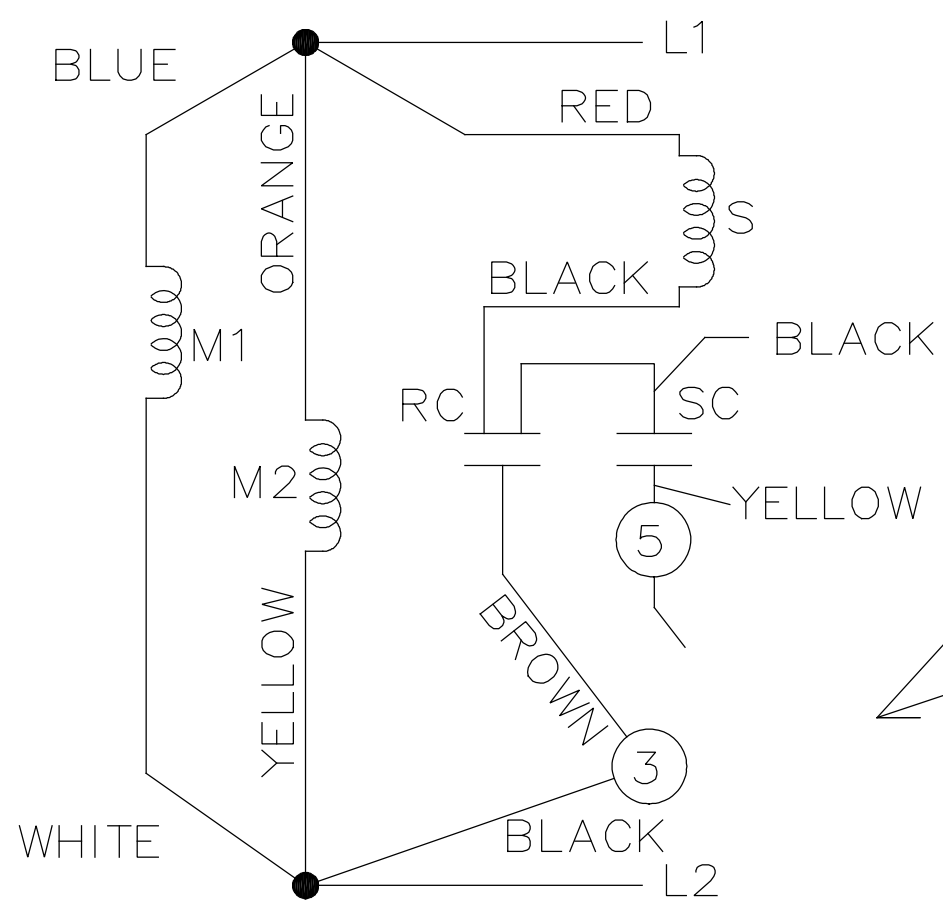
4

3

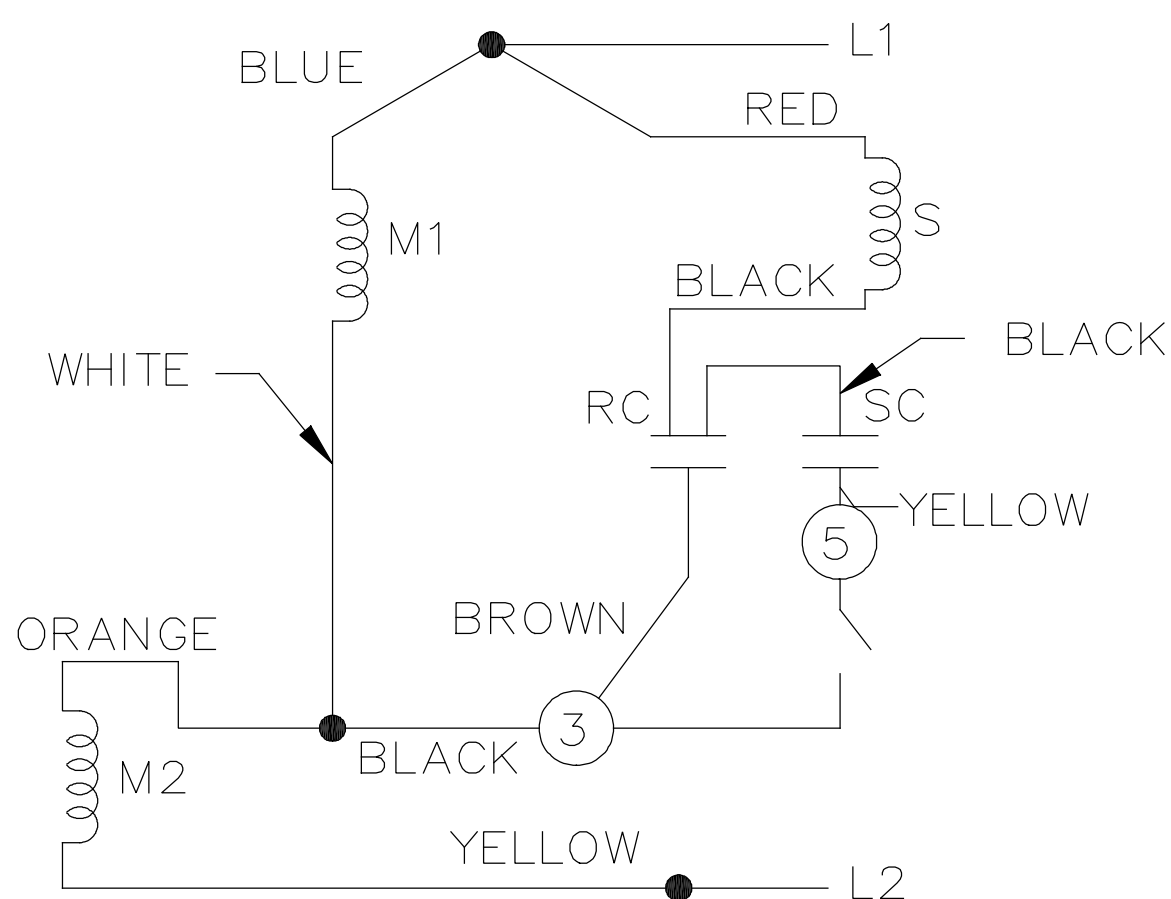
2

1

LOW VOLTAGE C.C.W.

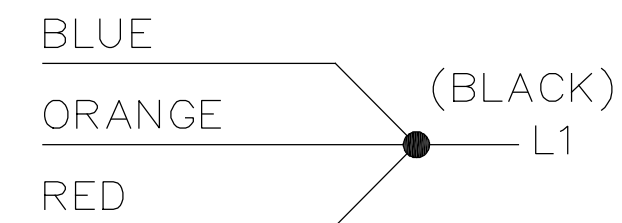


HIGH VOLTAGE C.C.W.

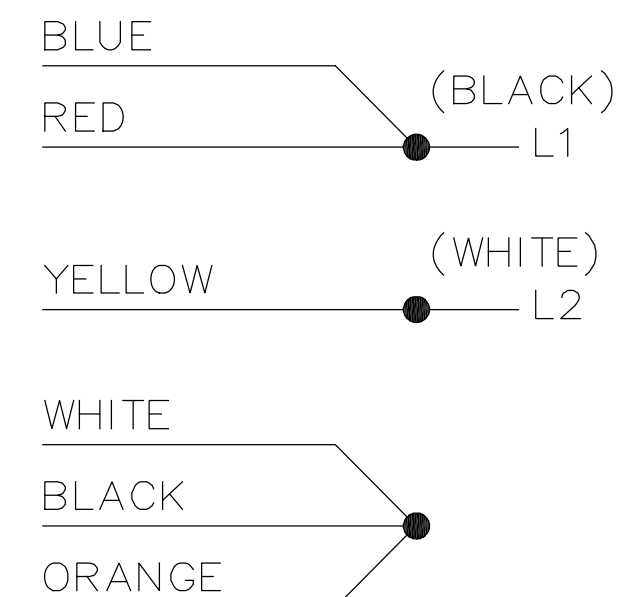


DUAL VOLTAGE CAPACITOR
START-CAP RUN NO OVERLOAD
SELECT ROTATION

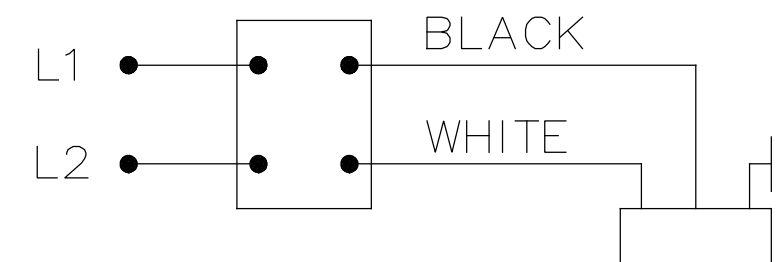
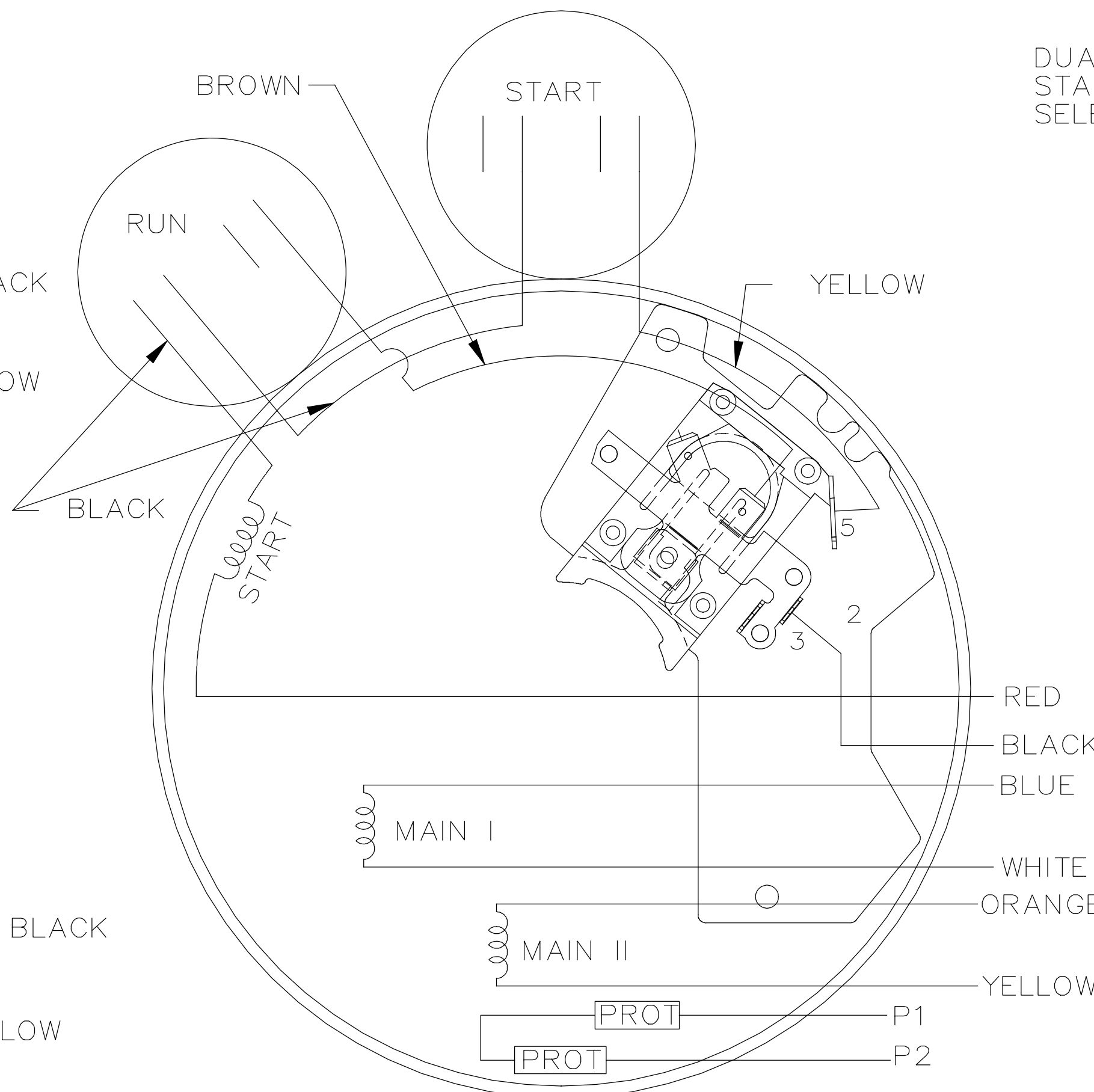
LOW VOLTAGE C.C.W. ROTATION



HIGH VOLTAGE C.C.W. ROTATION



FOR C.W. ROTATION,
EITHER VOLTAGE,
INTERCHANGE RED
WITH BLACK LEAD



CORD CONN. WHEN SPECIFIED

		TOLERANCES UNLESS SPECIFIED		 Regal Beloit America, Inc.	DRAWN SG 05/14/19							
		DEC.	INCHES		CHK CD 05/14/19	APPD CD 05/14/19						
		.X	±.1	TITLE CONNECTION DIAGRAM	SCALE 1:1							
		.XX	±.02		REF 102006-51							
		.XXX	±.005		FMF PR141156							
		.XXXX	±.0005		PREV							
01	CONVERTED TO DWG FILE	SG	05/14/19	CD	.XXXX	±.0005	MAT'L.					
NO.	REVISION	BY & DATE		CHK	ANG	±7'30"	FINISH					
THIS DRAWING IN DESIGN AND DETAIL IS OUR PROPERTY AND MUST NOT BE USED EXCEPT IN CONNECTION WITH OUR WORK ALL RIGHTS OF DESIGN AND INVENTION ARE RESERVED THIS IS AN ELECTRONICALLY GENERATED DOCUMENT - DO NOT SCALE THIS PRINT				RFP	CAD FILE 102006-51			SIZE	DRAWING NO.	PAGE	OF	REV.
				DIST	WP		A	102006-51			01	



REGAL REXNORD CORPORATION
TYPICAL PERFORMANCE CURVE for AC MOTOR

Customer

Curve at 230
60
3

Volts
HZ
HP

HP 3.00

PHASE 1

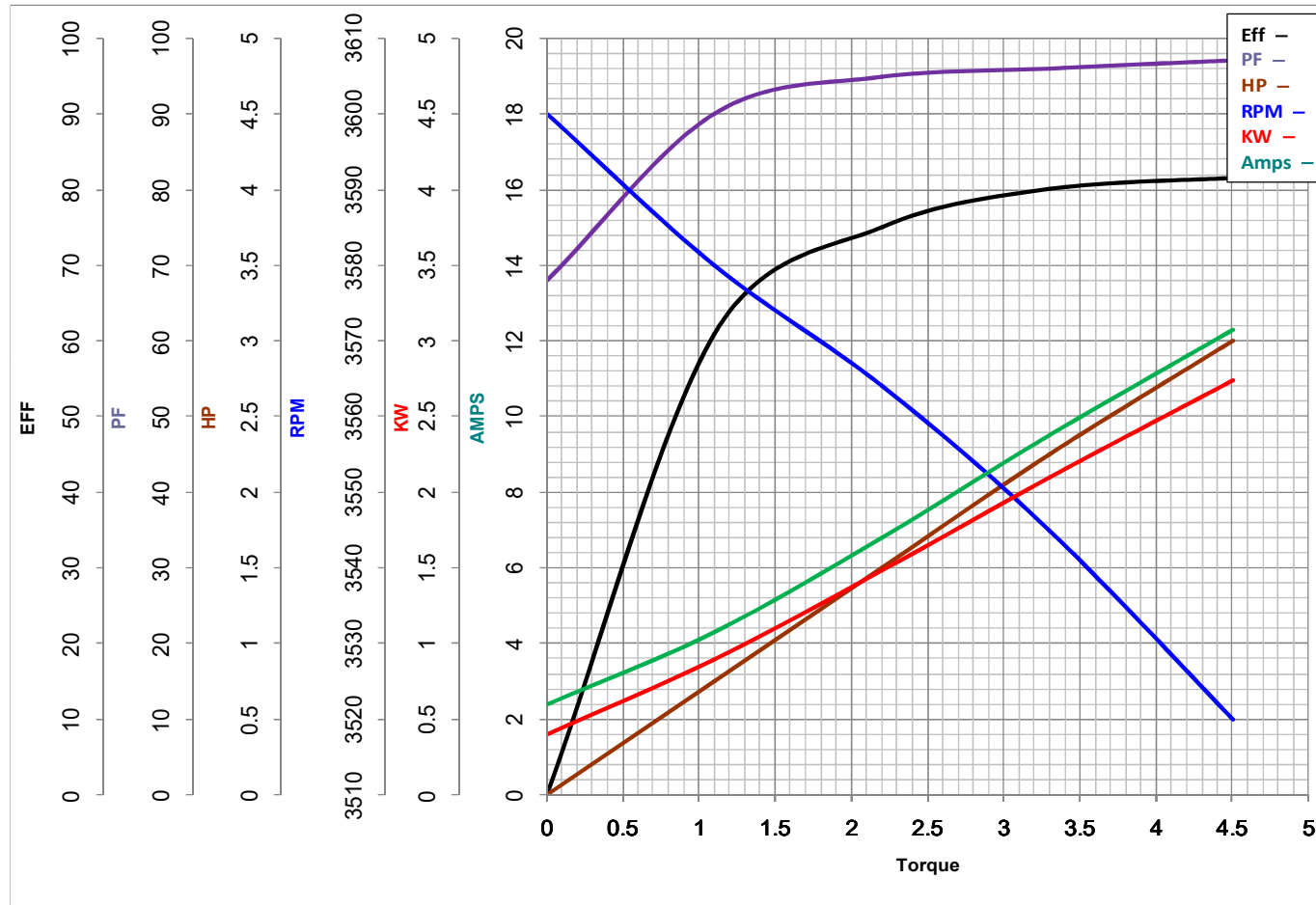
Model No 182TBFR5301

VOLTS 115/208-230

Catalog No I206

HZ 60

RPM 3520



Torque in Lb.Ft

FL TORQUE 4.5 Lb.Ft
BD TORQUE 12.6 Lb.Ft
LR TORQUE 9.4 Lb.Ft

FL AMPS 24.6/13.9-12.3
PU TORQUE 8.6 Lb.Ft
LR AMPS 90

WINDING ZB261-3

Date 1/9/2019

EC Declaration of Conformity

The undersigned representing
the manufacturer:

Regal Beloit America
1946 West Cook Road
Fort Wayne, IN 46818

and the authorized representative
established within the Community:

Regal Beloit Italy
Via Modena, 18
24040 Ciserano(BG) - Italy

are committed to providing customers with products that comply with applicable regulations and international protocols to which they are subject, including the requirements of the European Parliament Directive on the Harmonization of the laws relating to electrical equipment designed for use within certain voltage limits (2014/35/EU).

Regal Beloit America declares that the following product(s), to which this declaration relates, are in conformity with the relevant sections of the EC standards listed below.

This statement supersedes any statements previously issued pertaining to the product(s) listed below and is subject to change without notice.

Model No : 182TBFR5301

(Model No. may contain prefix and/or suffix characters)

Catalog No : I206

Rework No : N/A

Directives :

Low Voltage Directive 2014/35/EU

Harmonized Standards Used :

EN 60034-1: 2010 (IEC 60034-1: 2010)

EN 60034-5: 2001/A1:2007 (IEC 60034-5: 2000/A1:2006)

Authorized Representative:



Zach Stauffer
Vice President, Engineering

Authorized Representative in the Community:



Stefano Casiraghi
Technology Director, Engineering

Created on 07/08/2025

CE 25