

# PRODUCT INFORMATION PACKET



Model No: 249  
Catalog No: 249  
16 WATT Refrigeration Motor, 1500 RPM, 230 Volts, Unit Bearing, TEAO



Regal and Century are trademarks of Regal Rexnord Corporation or one of its affiliated companies.  
©2025 Regal Rexnord Corporation, All Rights Reserved. MC017097E





**Nameplate Specifications**

Phase	1	Output Watts	16 W
Voltage	230 V	Speed	1500 rpm
Service Factor	1	Frame	UNIT BEARING
Enclosure	Totally Enclosed Air Over	Thermal Protection	Thermally Protected
Ambient Temperature	40 °C	Frequency	60/50 Hz
Current	0.4 A	Duty	Continuous
Insulation Class	A	UL	Recognized
CSA	Y	CE	N
Number of Speeds	1		

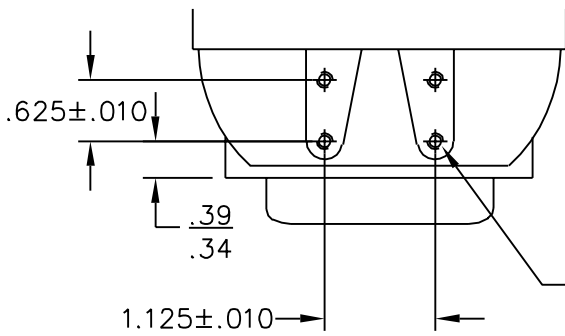
**Technical Specifications**

Electrical Type	Shaded Pole	Starting Method	Across The Line
Poles	4	Rotation	Counterclockwise Lead End
Mounting	2 BOSS/OSE 3 HOLES	Drive End Bearing	Unit
Opp Drive End Bearing	Unit	Frame Material	Cast Iron
Shaft Type	Threaded	Frame Length	3.84 in
Shaft Diameter	1/4x20 in	Shaft Extension	0.52 in
Outline Drawing	249-S01		

This is an uncontrolled document once printed or downloaded and is subject to change without notice. Date Created:06/18/2025

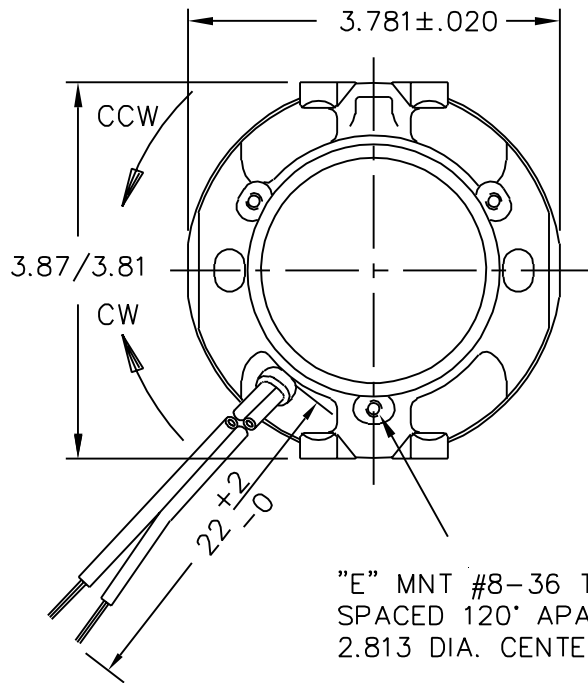
NO. A-23089

NO.	REVISIONS	DATE AND SIGNATURE
1	ADDED MODEL NUMBERS	11-9-94
2	LEAD WAS (2) #10 EYELETS	7-*6-98
3	CUST NAME CHANGED WAS MAGNETEK	6-07-02

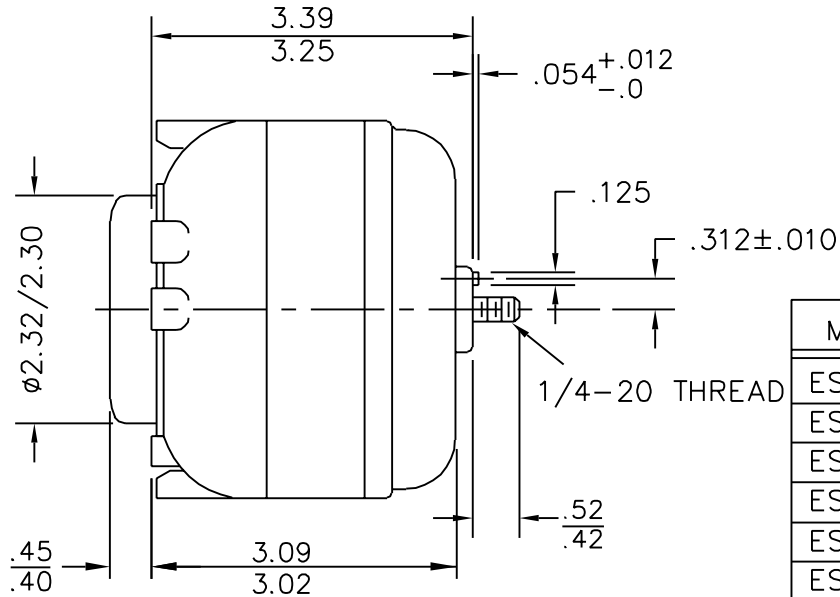


OUTLINE DIMENSIONS ON WHICH NO LIMIT IS SPECIFIED ARE NOMINAL AND NOT GUARANTEED AS TO TOLERANCE. ADDITIONAL INFORMATION ON TOLERANCE WILL BE FURNISHED ON SPECIFIC REQUEST.

"M" MOUNTING  
#8-36 N.F. 4 HOLES TAPPED THRU BOTH SIDES



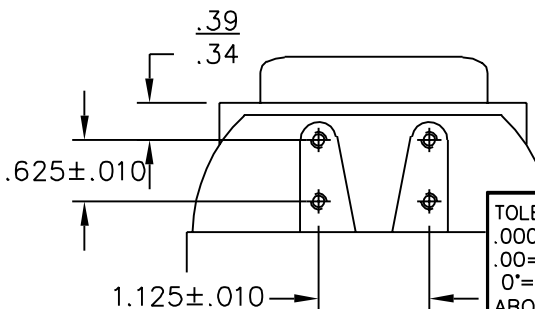
"E" MNT #8-36 TAPPED HOLES SPACED 120° APART ON A 2.813 DIA. CENTER LINE.



A.O. SMITH

MODEL	CUST NO.
ESP-L16EM1	= 246
ESP-L16EM2	= 248
ESP-L16EMR1	= 247
ESP-L16EMR2	= 249
ESP-L25EM1	= 250
ESP-L25EM2	= 252
ESP-L25EMR1	= 251
ESP-L25EMR2	= 253
ESP-L35EM1	= 254
ESP-L35EM2	= 256
ESP-L35EMR1	= 255
ESP-L35EMR2	= 257

R = CCW ROTATION



TOLERANCE  
.0000=±.0002 .000=±.005  
.00=±.010 FRACTION=±1/64  
0°=±30° 0'0°=±5° 0'0'0°=REF. ONLY  
ABOVE TOLERANCES APPLY UNLESS  
OTHERWISE SPECIFIED TOLERANCES  
ARE NOT ACCUMULATIVE.

<b>ELECTRIC MOTORS AND SPECIALTIES INC.</b>			
230V 60/50HZ CW GARRETT, INDIANA 46738			
FIRST MADE FOR ESP-L16EM2		A.O. SMITH	
MATERIAL		CUST NO. 248	
DRAWN BY JIM NICHTER	DATE 4-11-94	SCALE 1/2 SIZE	APPROVED BY DATE
TITLE MOTOR OUTLINE			NO. A-23089