

# PRODUCT INFORMATION PACKET



Model No: 254A  
Catalog No: 254A  
35 WATT Refrigeration Motor, 1500 RPM, 115 Volts, Unit Bearing,TEAO



Regal and Century are trademarks of Regal Rexnord Corporation or one of its affiliated companies.  
©2023 Regal Rexnord Corporation, All Rights Reserved. MC017097E





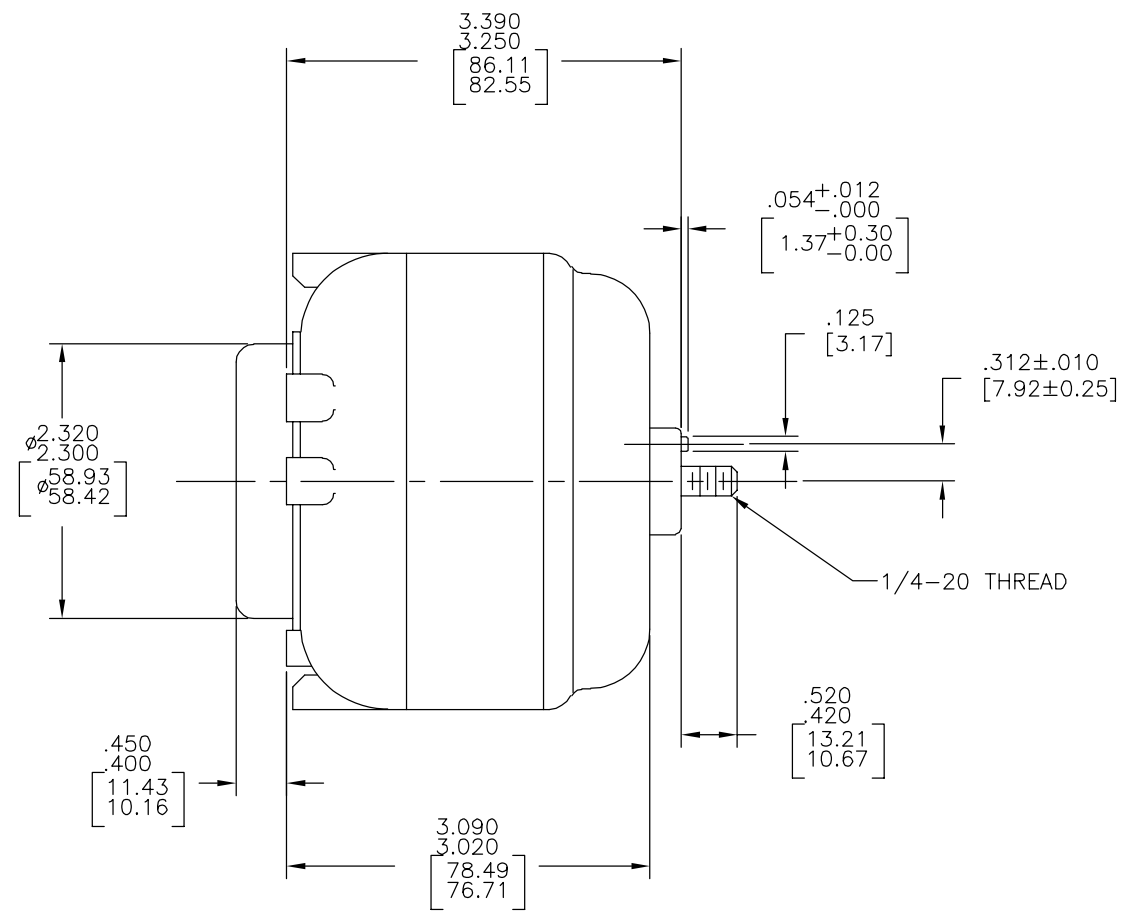
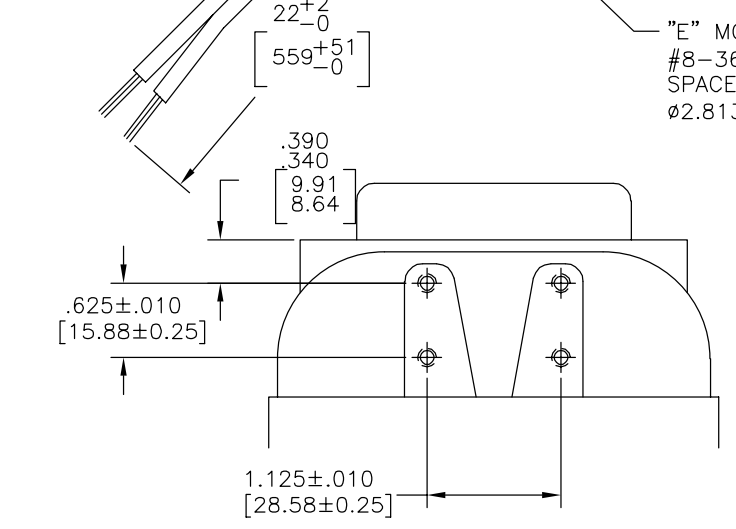
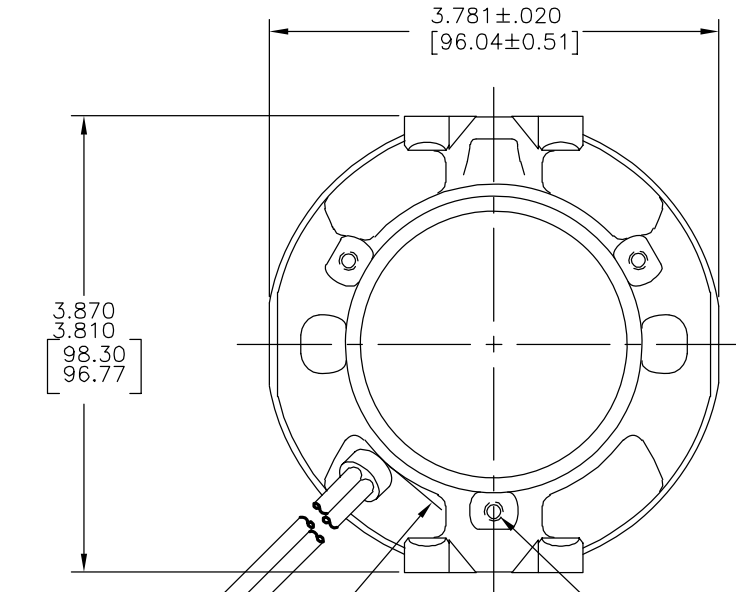
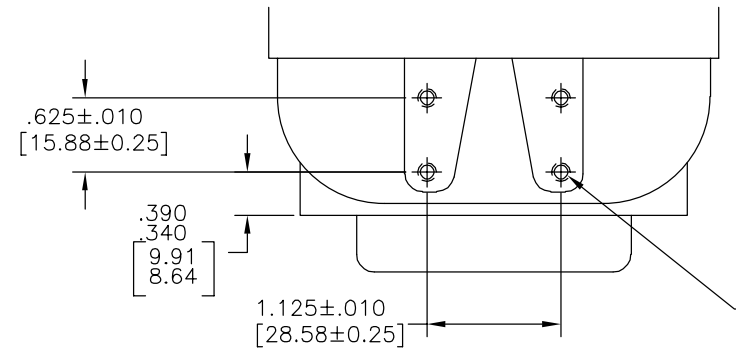
**Nameplate Specifications**

Output Watts	<b>35 W</b>	Frequency	<b>60 Hz</b>
Voltage	<b>115 V</b>	Current	<b>1.4 A</b>
Speed	<b>1500 rpm</b>	Service Factor	<b>1</b>
Phase	<b>1</b>	Duty	<b>Continuous</b>
Insulation Class	<b>A</b>	Frame	<b>UNIT BEARING</b>
Enclosure	<b>Totally Enclosed Air Over</b>	Thermal Protection	<b>Thermally Protected</b>
Ambient Temperature	<b>40 °C</b>	UL	<b>Recognized</b>
CSA	<b>Y</b>	CE	<b>N</b>
Number of Speeds	<b>1</b>		

**Technical Specifications**

Electrical Type	<b>Shaded Pole</b>	Starting Method	<b>Across The Line</b>
Poles	<b>4</b>	Rotation	<b>Clockwise Lead End</b>
Mounting	<b>2 BOSS/OSE 3 HOLES</b>	Drive End Bearing	<b>Unit</b>
Opp Drive End Bearing	<b>Unit</b>	Frame Material	<b>Cast Iron</b>
Shaft Type	<b>Threaded</b>	Frame Length	<b>3.84 in</b>
Shaft Diameter	<b>1/4x20 in</b>	Shaft Extension	<b>0.52 in</b>
Outline Drawing	<b>254A-S01</b>		

This is an uncontrolled document once printed or downloaded and is subject to change without notice. Date Created:03/02/2023



- NOTES:
1. OUTLINE DIMENSIONS ON WHICH NO LIMIT IS SPECIFIED ARE NOMINAL AND NOT GUARANTEED AS TO TOLERANCE.
  2. ADDITIONAL INFORMATION ON TOLERANCE WILL BE FURNISHED ON SPECIFIC REQUEST.

ESP-L35EM1  
115V 60HZ CW  
CUST NO. 254A

DRAWING REVISION A	REVISION BY A. BAUGHMAN	DATE 02-11-2015	TOLERANCES UNLESS OTHERWISE SPECIFIED DEC. INCH mm ANGLE	DRAWN BY: A. BAUGHMAN	Regal Beloit America, Inc.
ECO ECO-0071325	APPROVED BY A. BAUGHMAN	DATE 02-11-2015	.XX ±0.02 [±0.51] .XXX ±0.005 [±0.127] .XXXX ±0.0005 [±0.0127]	DATE: 02-11-2015	
ECO DESCRIPTION NEW			REMOVE BURRS & BREAK SHARP EDGES .003/015 [0.076/381] CORNER FILLETS .02 [1.51] MACHINED SURFACES 125/ mm 3/2	APPROVED BY: A. BAUGHMAN	DESCRIPTION MODEL-SFHP-UB OUTLINE
<small>COPYRIGHT REGAL BELOIT AMERICA, INC. ALL RIGHTS RESERVED. PROPRIETARY AND CONFIDENTIAL INFORMATION - THIS DOCUMENT IS THE PROPERTY OF REGAL BELOIT AMERICA, INC. (OWNERS) AND CONTAINS OWNERS PROPRIETARY INFORMATION. ANY PERSON, CORPORATION OR OTHER FIRM RECEIVING IT IS DEEMED, BY RECEIVING IT, TO AGREE THAT IT, AND/OR ANY PART OF IT, SHALL NOT BE DISCLOSED TO ANY PERSON, CORPORATION OR OTHER ENTITY, DUPLICATED, AND/OR USED, EXCEPT AS EXPRESSLY APPROVED IN WRITING IN ADVANCE BY OWNER. THIS DOCUMENT SHALL BE RETURNED TO OWNER UPON REQUEST. IT MAY BE SUBJECT TO CERTAIN RESTRICTIONS UNDER APPLICABLE EXPORT CONTROL LAWS AND REGULATIONS.</small>			THIRD ANGLE PROJECTION	REFERENCE	MATERIAL
			mm SHOWN IN [BRACKETS]	DATE: 02-11-2015	PROCESS/FINISH
				SIZE DWG NO C 254A	SHEET 1