

PRODUCT INFORMATION PACKET



Model No: 257
Catalog No: 257
35 WATT Refrigeration Motor, 1500 RPM, 230 Volts, Unit Bearing, TEAO



Regal and Century are trademarks of Regal Rexnord Corporation or one of its affiliated companies.
©2022 Regal Rexnord Corporation, All Rights Reserved. MC017097E





Nameplate Specifications

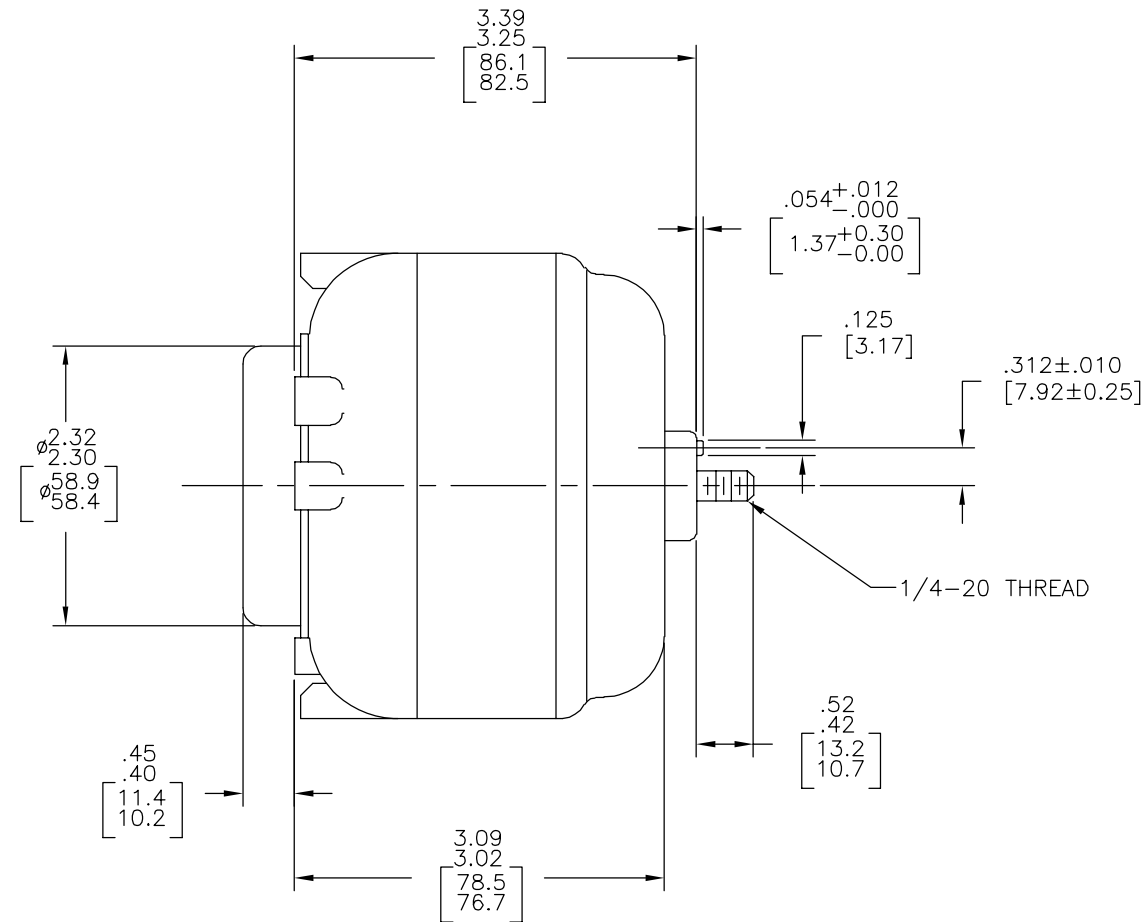
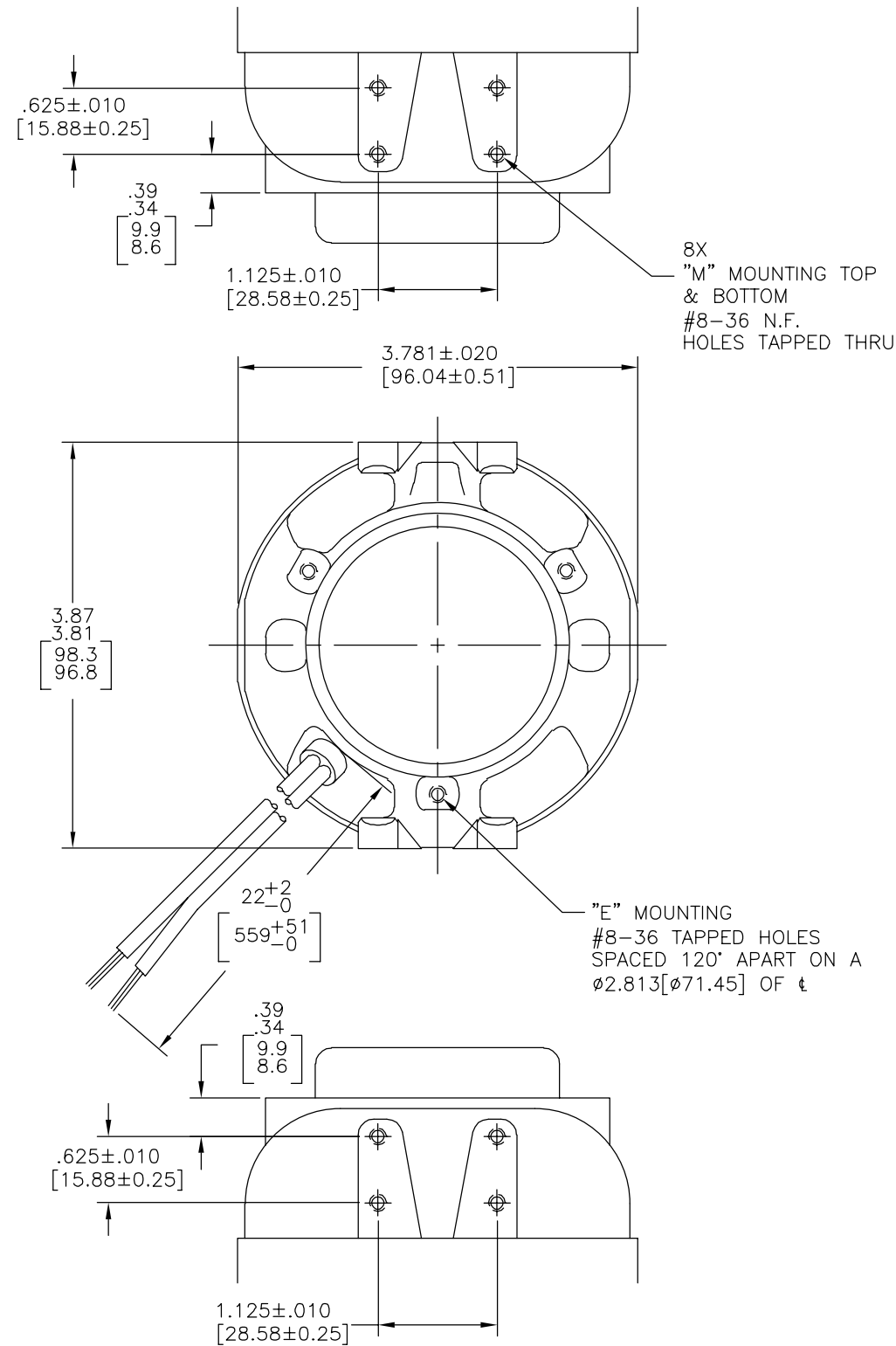
Output Watts	35 W	Frequency	60 Hz
Voltage	230 V	Current	0.7 A
Speed	1500 rpm	Service Factor	1
Phase	1	Duty	Continuous
Insulation Class	A	Frame	UNIT BEARING
Enclosure	Totally Enclosed Air Over	Thermal Protection	Thermally Protected
Ambient Temperature	40 °C	UL	Recognized
CSA	Y	CE	N
Number of Speeds	1		

Technical Specifications

Electrical Type	Shaded Pole	Starting Method	Across The Line
Poles	4	Rotation	Counterclockwise Lead End
Mounting	2 BOSS/OSE 3 HOLES	Drive End Bearing	Unit
Opp Drive End Bearing	Unit	Frame Material	Cast Iron
Shaft Type	Threaded	Frame Length	3.84 in
Shaft Diameter	1/4x20 in	Shaft Extension	0.52 in
Outline Drawing	257-S01		

This is an uncontrolled document once printed or downloaded and is subject to change without notice. Date Created:11/29/2022

REV	ECO	REV BY	DATE	APPD	DATE
E	0025432	O. CARVAJAL	04-16-2012	D. BALDERRAMA	04-16-2012



NOTES:

1. OUTLINE DIMENSIONS ON WHICH NO LIMIT IS SPECIFIED ARE NOMINAL AND NOT GUARANTEED AS TO TOLERANCE.
2. ADDITIONAL INFORMATION ON TOLERANCE WILL BE FURNISHED ON SPECIFIC REQUEST.

ESP-L35EMR2
230V 60HZ CCW
CUST NO. 257

GEOMETRIC CHARACTERISTICS & SYMBOLS

- ▭ FLATNESS
- STRAIGHTNESS
- ∠ ANGULARITY
- ⊥ PERPENDICULARITY (SQUARENESS)
- ∥ PARALLELISM
- ROUNDNESS (CIRCULARITY)
- ⊘ CYLINDRICITY
- △ PROFILE OF ANY SURFACE
- ∩ PROFILE OF ANY LINE
- ↗ RUNOUT
- ⊕ TRUE POSITION
- ◎ CONCENTRICITY
- ≡ SYMMETRY

ASME Y14.5M 1994

UNLESS OTHERWISE SPECIFIED DIM. TOLERANCES ARE AS FOLLOWS:

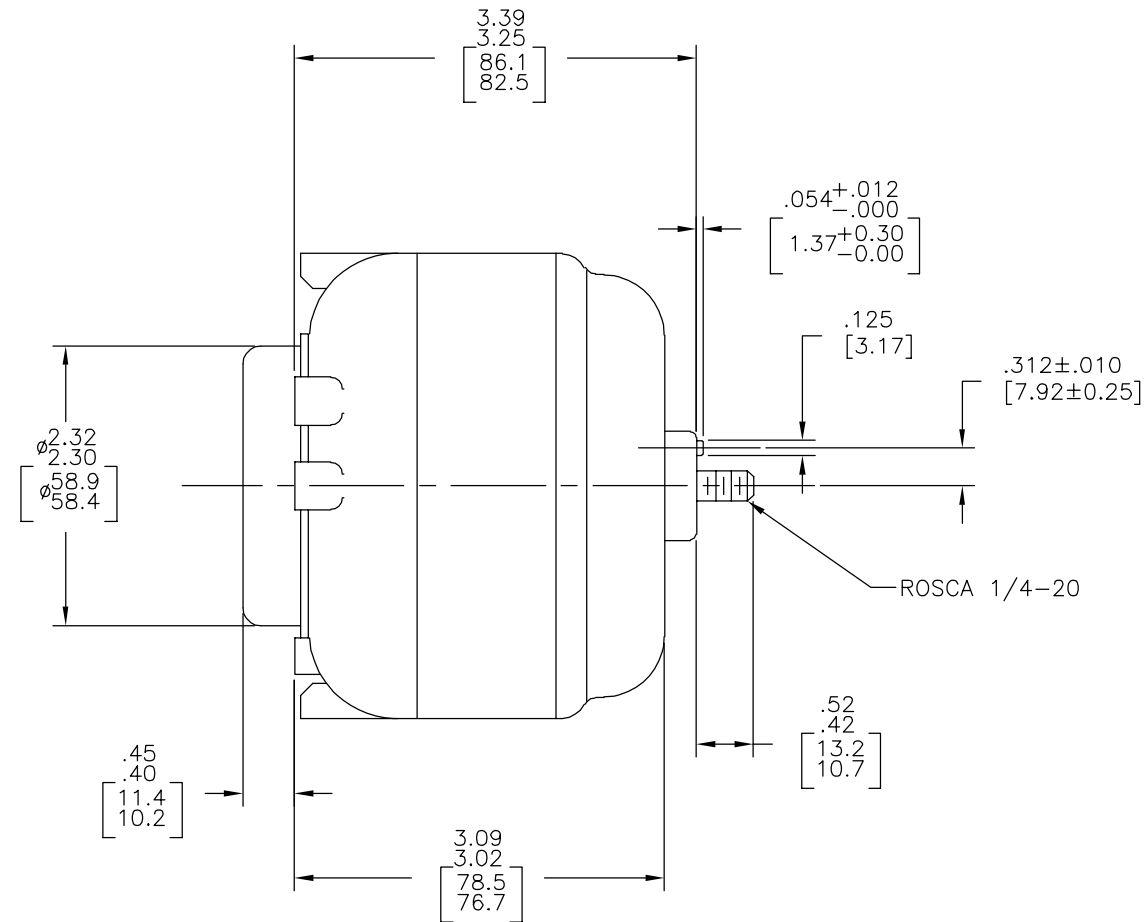
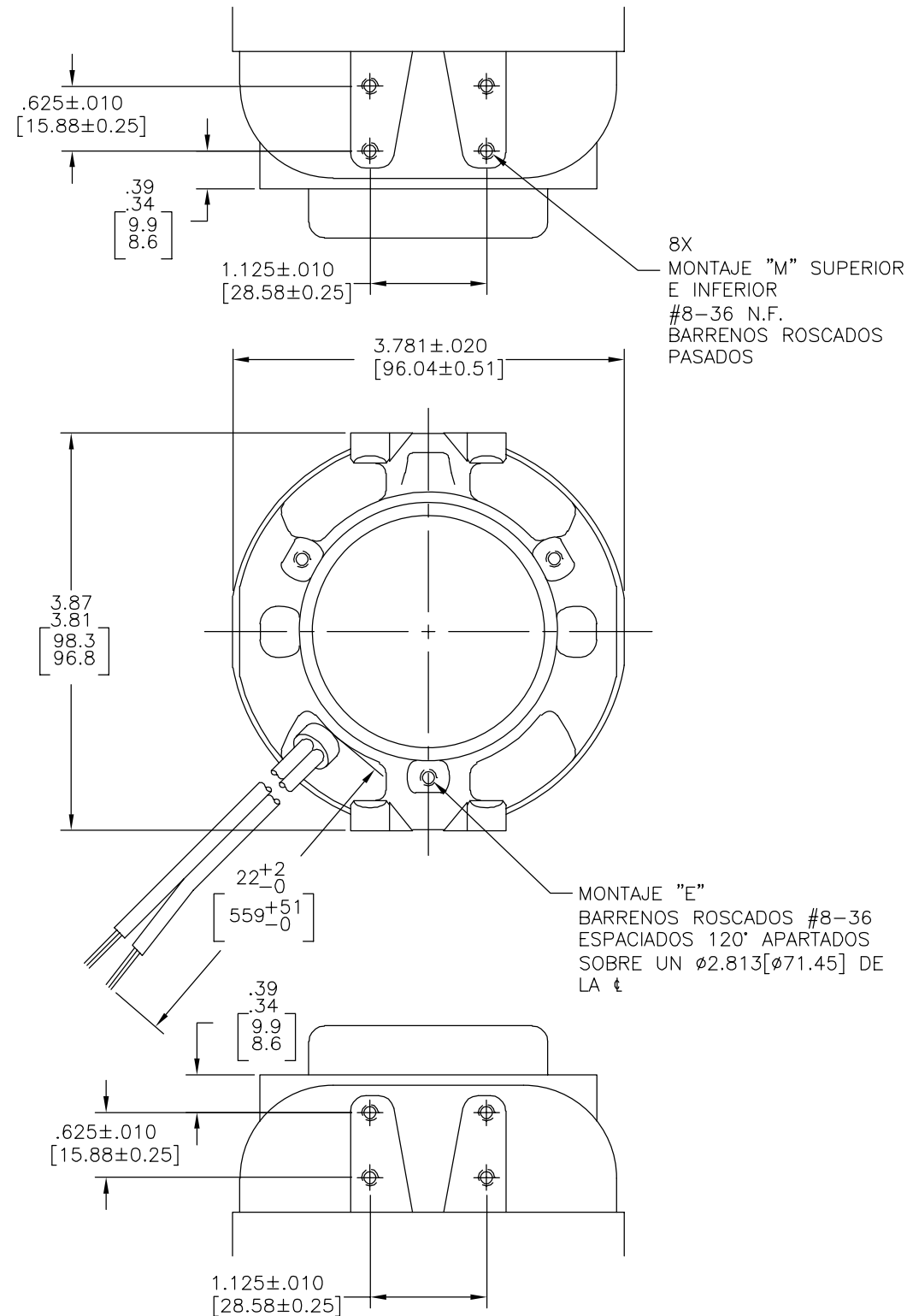
INCH	±.1	±.02	±.005	±.0005
mm	±0.5	±0.13	±0.013	

ANG. ±.50 DEG
REMOVE BURRS & BREAK SHARP EDGES:
INCH .003-.015 mm 0.1-0.4
CORNER FILLETS TO:
INCH .020 mm 0.5
MACHINE SURFACES:
INCH $\sqrt{125}$ mm $\sqrt{3.2}$
METRIC DIMS. SHOWN IN [BRACKETS]

DR BY:	J. NICTER	04-11-1994
APPD:		
THIRD ANGLE PROJECTION	EDS DATE 11-11-2011	FORMAT REV G
CONFIDENTIAL: THIS DRAWING AND ITS INFORMATION ARE THE EXCLUSIVE AND CONFIDENTIAL PROPERTY OF REGAL-BELOIT CORPORATION AND ARE NOT TO BE DISCLOSED, DUPLICATED, DISTRIBUTED OR OTHERWISE USED WITHOUT THE WRITTEN CONSENT OF REGAL-BELOIT CORPORATION. -ALL RIGHTS RESERVED.		

DESCRIPTION OUTLINE	
SIZE C	DWG NO 257
SCALE NONE	SHEET 1

REVISION:	ECO	REVISADO POR:	FECHA:	APROBADO POR:	FECHA:
E	0025432	O. CARVAJAL	04-16-2012	D. BALDERRAMA	04-16-2012



NOTAS:

1. DIMENSIONES DE ENSAMBLE FINAL EN QUE NO SE SPECIFICA LIMITE NOMINAL Y NO SON GARANTIZADAS EN CUANTO A LA TOLERANCIA.
2. INFORMACION ADICIONAL DE LAS TOLERANCIAS SERA SUMINISTRADO SOBRE PEDIDO.

ESP-L35EMR2
230V 60HZ CCW
NUM. CLIENTE 257

CARACTERISTICAS DE GEOMETRIA Y SIMBOLOS	
∠	PLANICIDAD
-	RECTITUD
∠	ANGULARIDAD
⊥	PERPENDICULARIDAD (A ESCUADRA)
//	PARALELISMO
○	REDONDEZ (CIRCULARIDAD)
∅	CILINDRICIDAD
△	PERFIL DE CUALQUIER SUPERFICIE
∧	PERFIL DE CUALQUIER LINEA
∧	VARIACION
⊕	POSICION REAL
⊙	CONCENTRICIDAD
≡	SIMETRIA

A MENOS QUE SE ESPECIFIQUE DE OTRA MANERA, LAS TOLERANCIAS DE LAS DIMS; SON LAS SIGUIENTES:

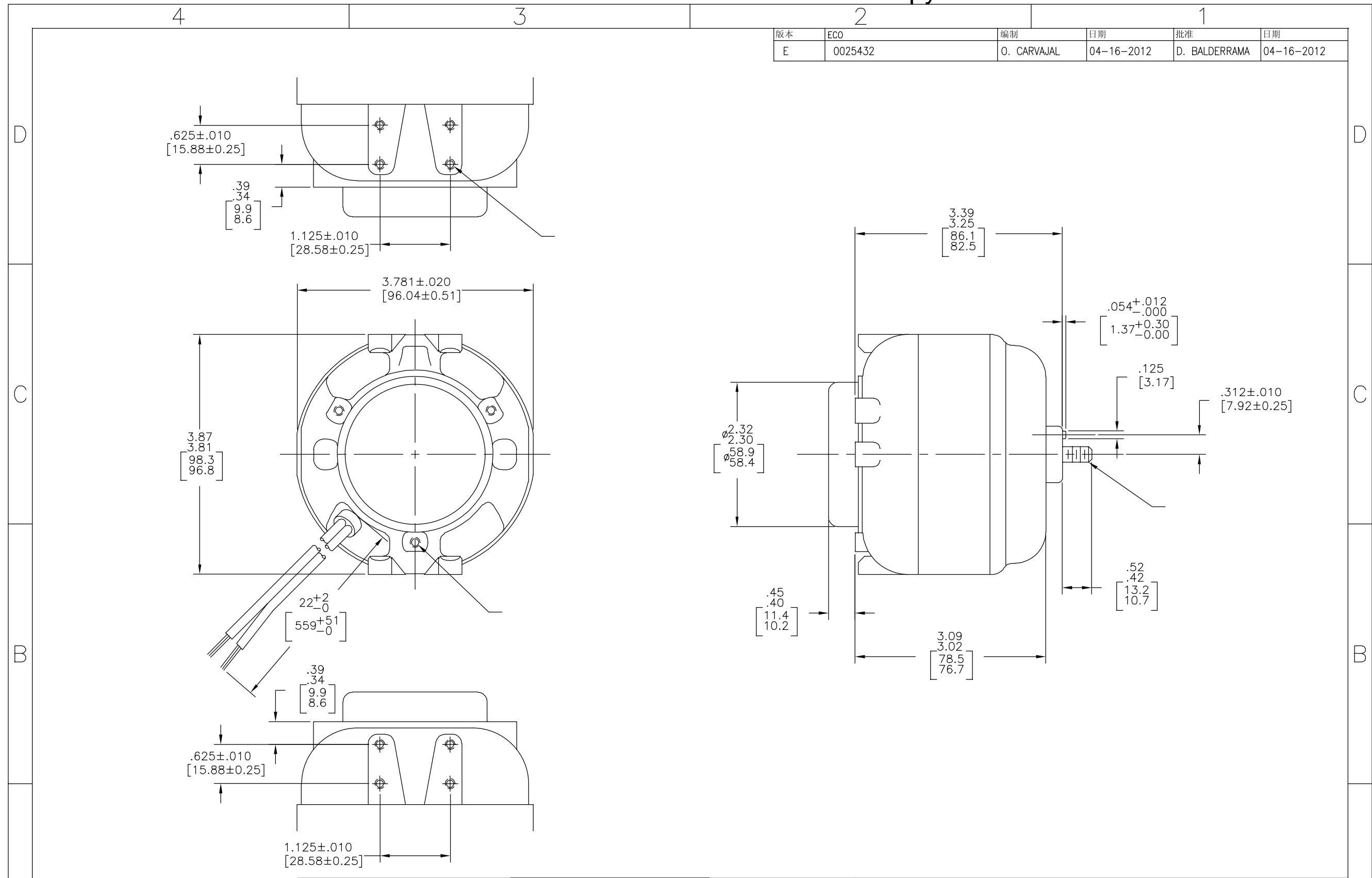
PULG	±.1	±.02	±.005	±.0005
mm	±0.5	±0.13	±0.013	

ANG. ± 50 GRADOS
ELIMINAR REBABAS Y ORILLAS FILOSAS DEL BORDE.
PULG .003-.015 mm 0.1-0.4
FILETEAR ESQUINA: PULG .020 mm 0.5
MAQUINAR SUPERFICIES
PULG 125 mm 3.2

DIMS METRICAS MOSTRADAS [PARENTESIS]

DIBUJADO POR:	J. NICTER	04-11-1994
APROBADO POR:		
TERCER ANGULO DE PROYECCION	⊕	FECHA EDS: 11-11-2011 REV. FORMATO: G
CONFIDENCIAL: ESTE DIBUJO Y SU INFORMACION SON PROPIEDAD DE USO EXCLUSIVO Y CONFIDENCIAL DE REGAL-BELOIT CORPORATION. Y NO DEBERAN SER REVELADOS, DUPLICADOS, DISTRIBUIDOS O USARSE DE OTRA MANERA SIN EL CONSENTIMIENTO ESCRITO DE REGAL-BELOIT CORPORATION. -TODOS LOS DERECHOS RESERVADOS.		

DESCRIPCION:	OUTLINE
TAMAÑO: C	NUMERO DE DIBUJO: 257
ESCALA: NONE	HOJA: 1



形位公差	除另有注明
□ 平面度	尺寸公差如下:
— 直线度	英寸 X XX XXX XXXX
∠ 倾斜度	英寸 ±.1 ±.02 ±.005 ±.0005
⊥ 垂直度	毫米 ±0.5 ±0.13 ±0.013
// 平行度	角度 ±.50 度
○ 圆度	清理毛刺和尖棱
⊘ 圆柱度	英寸 .003-.015 毫米 0.1-0.4
△ 面轮廓度	内圆角
∩ 线轮廓度	英寸 .020 毫米 0.5
∧ 圆跳动	表面粗糙度
⊕ 位置度	英制 125 米制 3.2
⊙ 同轴度	米制尺寸显示在 []
≡ 对称度	

ASME Y14.5M 1994

绘图:	J. NICHTER	04-11-1994
批准:		
第三角投影		图纸格式发布日期 11-11-2011 图纸格式版本 G
机密: 本图纸及相关信息所有权归REGAL-BELOIT CORPORATION. 未经REGAL-BELOIT CORPORATION书面授权, 不得泄露、复制、传播或作其他用途。—版权所有		

名称 OUTLINE	
图幅 C	图号 257
比例 NONE	页号 1