

# PRODUCT INFORMATION PACKET



Model No: 2743  
Catalog No: 2743  
1/8 HP OEM Replacement Motor, 1650 RPM, 200-230 Volts, 42 Frame, TEAO  
OEM Replacement Motors



Regal and Genteq are trademarks of Regal Rexnord Corporation or one of its affiliated companies.  
©2021 Regal Rexnord Corporation, All Rights Reserved. MC017097E





**Nameplate Specifications**

Output HP	1/8 Hp	Frequency	60 Hz
Voltage	200-230 V	Current	0.83 A
Speed	1650 rpm	Service Factor	1
Phase	1	Duty	Continuous Air Over
Insulation Class	B	Frame	42
Enclosure	Totally Enclosed Air Over	Thermal Protection	Thermally Protected
Ambient Temperature	40 °C	UL	Recognized
CSA	Y	CE	N
Number of Speeds	1		

**Technical Specifications**

Electrical Type	Permanent Split Capacitor	Poles	4
Rotation	Counterclockwise	Mounting	Round
Motor Orientation	Horizontal	Drive End Bearing	Sleeve
Opp Drive End Bearing	Sleeve	Frame Material	Rolled Steel
Shaft Type	Flat	Overall Length	6.09 in
Frame Length	3.16 in	Shaft Diameter	0.500 in
Shaft Extension	2.00 in		
Outline Drawing	5KCP29BK8219S	Connection Drawing	NP24X327082

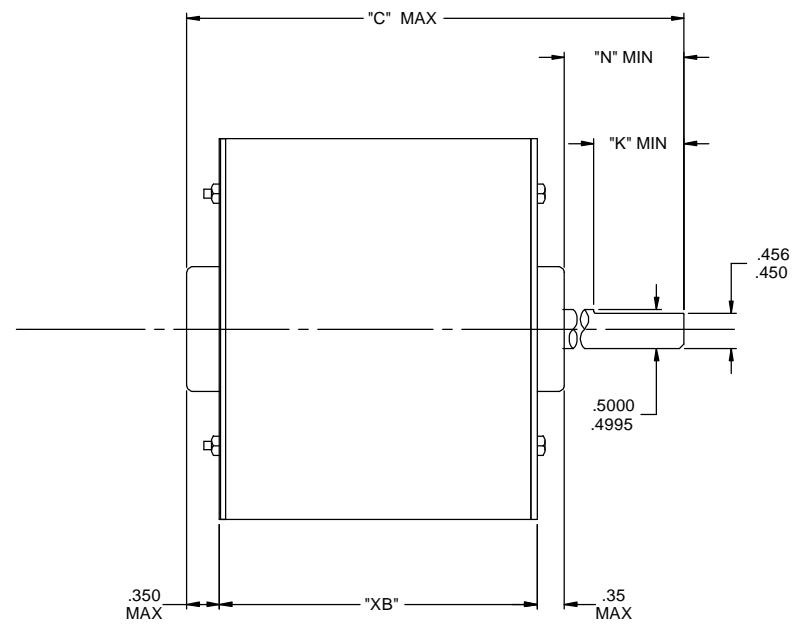
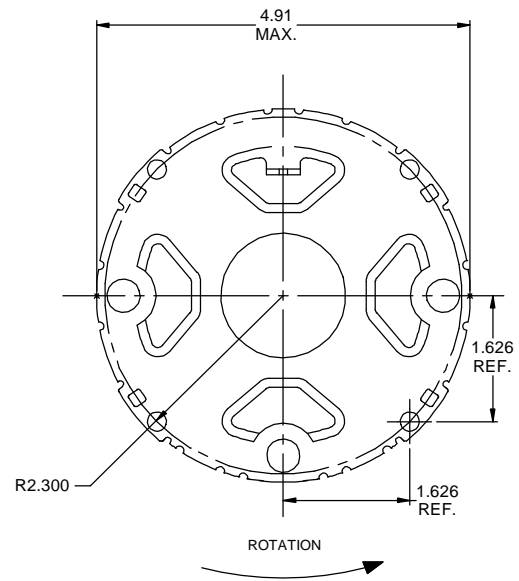
This is an uncontrolled document once printed or downloaded and is subject to change without notice. Date Created:10/11/2021

RBC PROPRIETARY AND CONFIDENTIAL INFORMATION  
 This document is the property of REGAL BELOIT CORPORATION ("RBC") including its subsidiaries and divisions and contains proprietary information of RBC. This document is loaned on the express condition that neither it nor the information contained therein shall be disclosed to others without the express written consent of RBC, and that the information shall be used by the recipient only as approved expressly by RBC. This document shall be returned to RBC upon its request. This document may be subject to certain restrictions under U.S. export control laws and regulations.

ENCLOSURES	
END SHIELDS:	O.E.: CLOSED P.E.: CLOSED
SHELL:	O.E.: CLOSED P.E.: CLOSED

NAMEPLATE DATA	
MODEL	5KCP29BK8219S
CUST P/N	STOCK NO 2743
HP	1/8
RPM	1650
VOLTS	200-230
HZ	60
SPEEDS	1
AMPS	0.83
CAP REQ'D-1	4.00/370
CAP REQ'D-2	N/R
CONN DRW	24X327082
ROTATION	CCW
BEARING	SLEEVE

LEAD	CONNECTION	COLOR	EXIT TYPE	EXIT LOC	GAGE	MATERIAL	WALL THICKNESS	LENGTH	TERMINATION
1	COMMON	PURPLE	ES LEAD HOLE	3:00	18	THERMO	4/64	35.50	.25 FQC
2	HIGH	BLACK	ES LEAD HOLE	3:00	18	THERMO	4/64	35.50	.25 FQC
3	CAP	BROWN	ES LEAD HOLE	3:00	18	THERMO	4/64	35.50	.25 FQC
4	GRD LD	GRN/YEL	CSCREW NUT	4:00	18	THERMO	2/64	9.00	.25 EYELET



**SPECIAL FEATURES**

DUST AND WATER SEAL ON PE

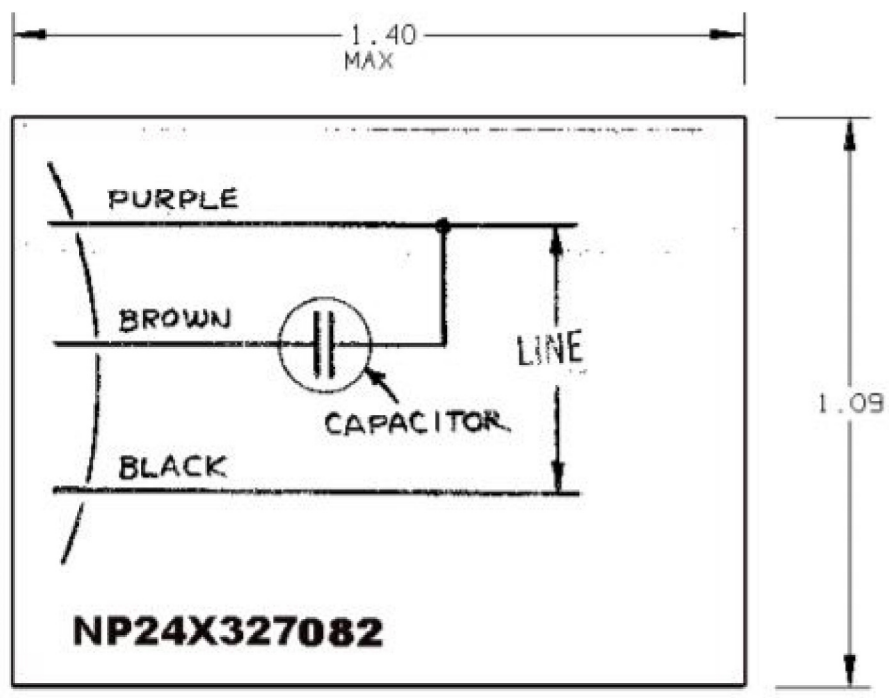
"C"	"N"	"K"	"XB"
6.14	2.00	1.25	3.26

TOLERANCES UNLESS SPECIFIED		REGAL BELOIT CORPORATION		DRAWN	
DEC	INCHES			GFS 9/28/12	
X	±.1			CHK	
XX	±.01			TITLE	29 FR OUTLINE
XXX	±.005			SCALE	3:4
00	DRAWN IN SW	GFS 9/28/12	GFS XXXX ±.0005	MATL	REF
NO	REVISION	BY & DATE	CHK LANG ±1/2"	FINISH	FMF
THIRD ANGLE PROJECTION		RFP	PREV	SIZE	PAGE 1 OF 1
		NETWORK FILE NAME 5KCP29BK8219S		DRAWING NO	REV
				<b>B</b>	<b>5KCP29BK8219S</b>
					<b>00</b>

Uncontrolled Copy

**RBC PROPRIETARY STATEMENT**  
 This document is the property of REGAL-BELOIT Corporation ("RBC") including its subsidiaries and divisions and contains proprietary information of RBC. This document is loaned on the express condition that neither it nor the information contained therein shall be disclosed to others without the express written consent of RBC, and that the information shall be used by the recipient only as approved expressly by RBC. This document shall be returned to RBC upon its request. This document may be subject to certain restrictions under the U.S. export control law and regulations.


REVISIONS	
REV	DESCRIPTION
1	Convert to RBC Format JAR 8-2005



**TYPE FACE:** COLORS OR NUMBERS DENOTING LEAD IDENTIFICATION AND N.P. NUMBER ARE TO BE 18 POINT NEWS GOTHIC CONDENSED. OTHER INFORMATION SHOULD BE 18 POINT IF SPACE ALLOWS, OTHERWISE USE 14 POINT.

**MATERIALS:** 4 MIL WHITE VINYL ADHESIVE STOCK GE SPEC A50FG41-S1  
BLACK INK GE SPEC A50FM48

**NOTE:** THE BOX LINES AND DIMENSIONS REPRESENT THE SIZE OF THE TAPE TO BE USED. DO NOT INCLUDE THESE IN STAMP FORMAT.

 REGAL-BELOIT CORPORATION	
<b>CONNECTION DIAGRAM</b>	
FILE:	DPC #
<b>NP24X327082</b>	
ISSUED	SCALE
<b>KRK 6-72</b>	<b>NO</b>