

# PRODUCT INFORMATION PACKET



Model No: 289  
Catalog No: 289  
50 WATT Refrigeration Motor, 1500 RPM, 115 Volts, Unit Bearing, TEAO



Regal and Century are trademarks of Regal Rexnord Corporation or one of its affiliated companies.  
©2022 Regal Rexnord Corporation, All Rights Reserved. MC017097E





**Nameplate Specifications**

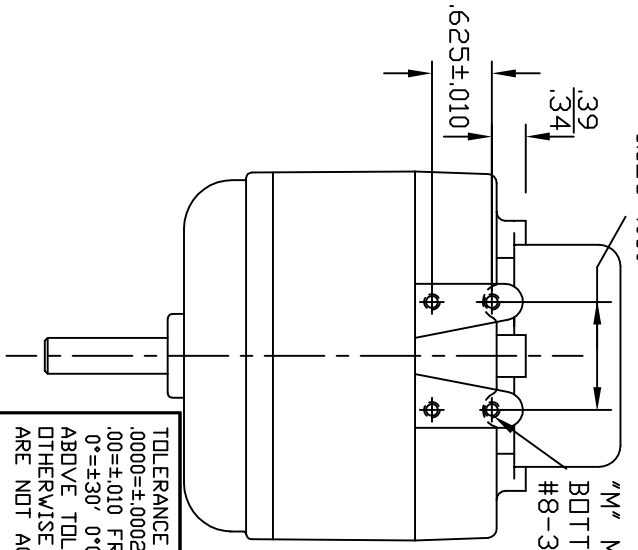
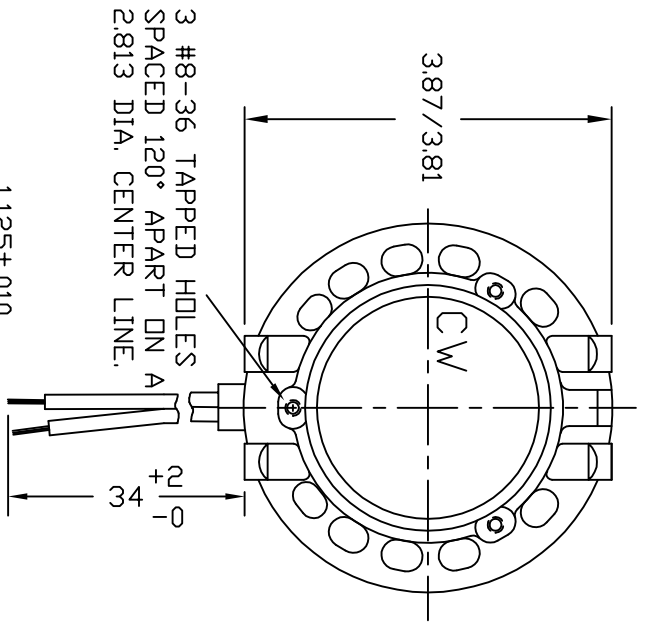
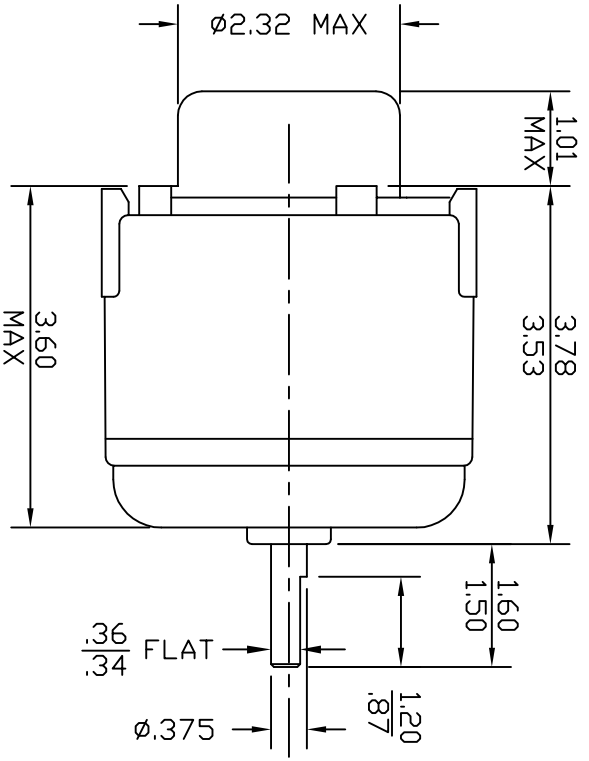
Output Watts	<b>50 W</b>	Frequency	<b>60 Hz</b>
Voltage	<b>115 V</b>	Current	<b>1.7 A</b>
Speed	<b>1500 rpm</b>	Service Factor	<b>1</b>
Phase	<b>1</b>	Duty	<b>Continuous</b>
Insulation Class	<b>A</b>	Frame	<b>UNIT BEARING</b>
Enclosure	<b>Totally Enclosed Air Over</b>	Thermal Protection	<b>Thermally Protected</b>
Ambient Temperature	<b>40 °C</b>	UL	<b>Recognized</b>
CSA	<b>Y</b>	CE	<b>N</b>
Number of Speeds	<b>1</b>		

**Technical Specifications**

Electrical Type	<b>Shaded Pole</b>	Starting Method	<b>Across The Line</b>
Poles	<b>4</b>	Rotation	<b>Clockwise Lead End</b>
Mounting	<b>2 BOSS/OSE 3 HOLES</b>	Drive End Bearing	<b>Unit</b>
Opp Drive End Bearing	<b>Unit</b>	Frame Material	<b>Cast Iron</b>
Shaft Type	<b>Flat</b>	Frame Length	<b>4.61 in</b>
Shaft Diameter	<b>0.375 in</b>	Shaft Extension	<b>1.6 in</b>
Outline Drawing	<b>289-S01</b>		

This is an uncontrolled document once printed or downloaded and is subject to change without notice. Date Created:11/29/2022

NO.	REVISIONS	DATE AND SIGNATURE
1	ADDED DIM JDN	3-24-94
2	CUST NAME WAS MAGNETEK	6-7-02
3	Removed 60/50HZ	6-11-02
4	ADDED MAX DIM'S	1-26-04
5	WAS A. D. SMITH	8-31-11



OUTLINE DIMENSIONS ON WHICH NO LIMIT IS SPECIFIED ARE NOMINAL AND NOT GUARANTEED AS TO TOLERANCE. ADDITIONAL INFORMATION ON TOLERANCE WILL BE FURNISHED ON SPECIFIC REQUEST.

TOLERANCE  
 .0000±.0002 .000±.005  
 .00±.010 FRACTION=1/64  
 0°±30' 0°0'±5' 0°0'0'±REF. ONLY  
 ABOVE TOLERANCES APPLY UNLESS  
 OTHERWISE SPECIFIED. TOLERANCES  
 ARE NOT ACCUMULATIVE.

<b>ELECTRIC MOTORS AND SPECIALTIES INC.</b>		GARRETT, INDIANA 46738	
115V 60HZ		MATERIAL	
FIRST MADE FOR		CUST NO. 289	
ESP-DL50EM13 Regal Beloit EPC		SCALE	
DRAWN BY		1/2 SIZE	
JIM NICHTER		APPROVED BY	
DATE		DATE	
11-08-93			
TITLE		NO. A-21975	
MOTOR OUTLINE			