

PRODUCT INFORMATION PACKET



Model No: 291
Catalog No: 291
50 WATT Refrigeration Motor, 1500 RPM, 115 Volts, Unit Bearing, TEAO



Regal and Century are trademarks of Regal Rexnord Corporation or one of its affiliated companies.
©2022 Regal Rexnord Corporation, All Rights Reserved. MC017097E





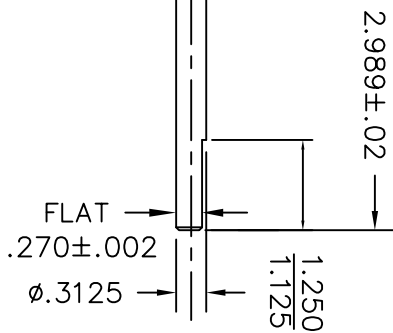
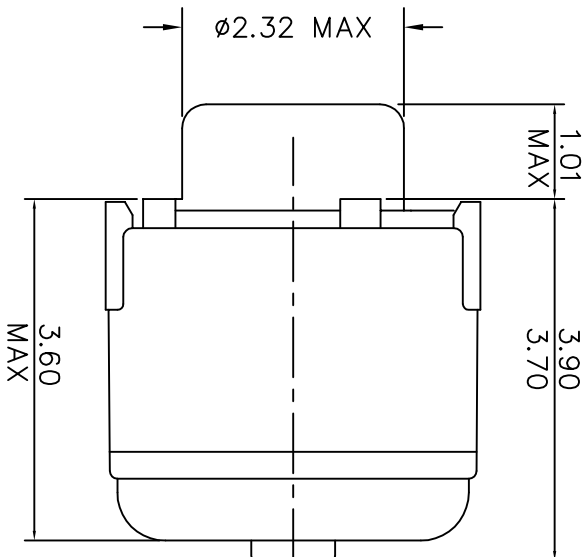
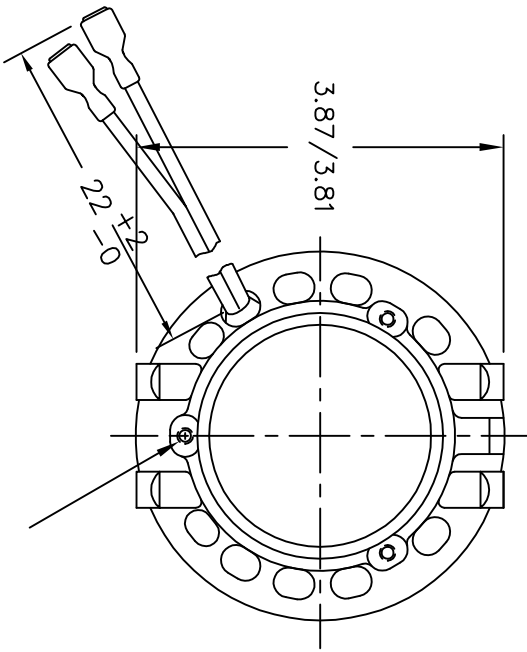
Nameplate Specifications

Output Watts	50 W	Frequency	60 Hz
Voltage	115 V	Current	1.7 A
Speed	1500 rpm	Service Factor	1
Phase	1	Duty	Continuous
Insulation Class	A	Frame	UNIT BEARING
Enclosure	Totally Enclosed Air Over	Thermal Protection	Thermally Protected
Ambient Temperature	40 °C	UL	Recognized
CSA	Y	CE	N
Number of Speeds	1		

Technical Specifications

Electrical Type	Shaded Pole	Starting Method	Across The Line
Poles	4	Rotation	Clockwise Lead End
Mounting	2 BOSS/OSE 3 HOLES	Drive End Bearing	Unit
Opp Drive End Bearing	Unit	Frame Material	Cast Iron
Shaft Type	Flat	Frame Length	4.91 in
Shaft Diameter	0.312 in	Shaft Extension	2.98 in
Outline Drawing	291-S01		

This is an uncontrolled document once printed or downloaded and is subject to change without notice. Date Created:11/29/2022

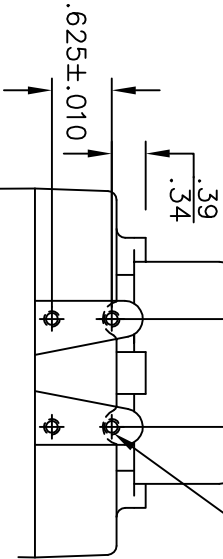


3 #8-36 TAPPED HOLES
SPACED 120° APART ON A
2.813 DIA. CENTER LINE.

OUTLINE DIMENSIONS ON WHICH NO LIMIT IS SPECIFIED ARE
NOMINAL AND NOT GUARANTEED AS TO TOLERANCE. ADDITIONAL
INFORMATION ON TOLERANCE WILL BE FURNISHED ON SPECIFIC
REQUEST.

"M" MOUNTING TOP &
BOTTOM BOSSES TAPPED THRU
#8-36 N.F. 8 HOLES

1.125±.010



NO. A-23571

NO.	REVISIONS	DATE AND SIGNATURE
1	CUST NAME WAS MAGNETEK	6-7-02
2	REMOVED 60/50HZ	6-11-02
3	ADDED MAX DIM'S	2-6-04
4	WAS A.O. SMITH	8-31-11

ELECTRIC MOTORS AND SPECIALTIES INC.

115V 60HZ CW GARRETT, INDIANA 46738

FIRST MADE FOR ESP-OL50EM1B1 Regd Beloit EPC MATERIAL CUST NO. 291

DRAWN BY JIM NICHTER DATE 1-19-96 SCALE 1/2 SIZE APPROVED BY DATE

TITLE MOTOR OUTLINE NO. A-23571

TOLERANCE
.0000=±.0002 .000=±.005
.00=±.010 FRACTION=±1/64
0°=±.30° 0'0°=±5' 0'0'0"=REF. ONLY
ABOVE TOLERANCES APPLY UNLESS
OTHERWISE SPECIFIED TOLERANCES
ARE NOT ACCUMULATIVE.