

# PRODUCT INFORMATION PACKET



Model No: 292  
Catalog No: 292  
15 WATT Refrigeration Motor, 1500 RPM, 115 Volts, Unit Bearing, TEAO



Regal and Century are trademarks of Regal Rexnord Corporation or one of its affiliated companies.  
©2025 Regal Rexnord Corporation, All Rights Reserved. MC017097E





**Nameplate Specifications**

Phase	1	Output Watts	15 W
Voltage	115 V	Speed	1500 rpm
Service Factor	1	Frame	UNIT BEARING
Enclosure	Totally Enclosed Air Over	Thermal Protection	Thermally Protected
Ambient Temperature	40 °C	Frequency	60 Hz
Current	0.6 A	Duty	Continuous
Insulation Class	A	UL	Recognized
CSA	Y	CE	N
Number of Speeds	1		

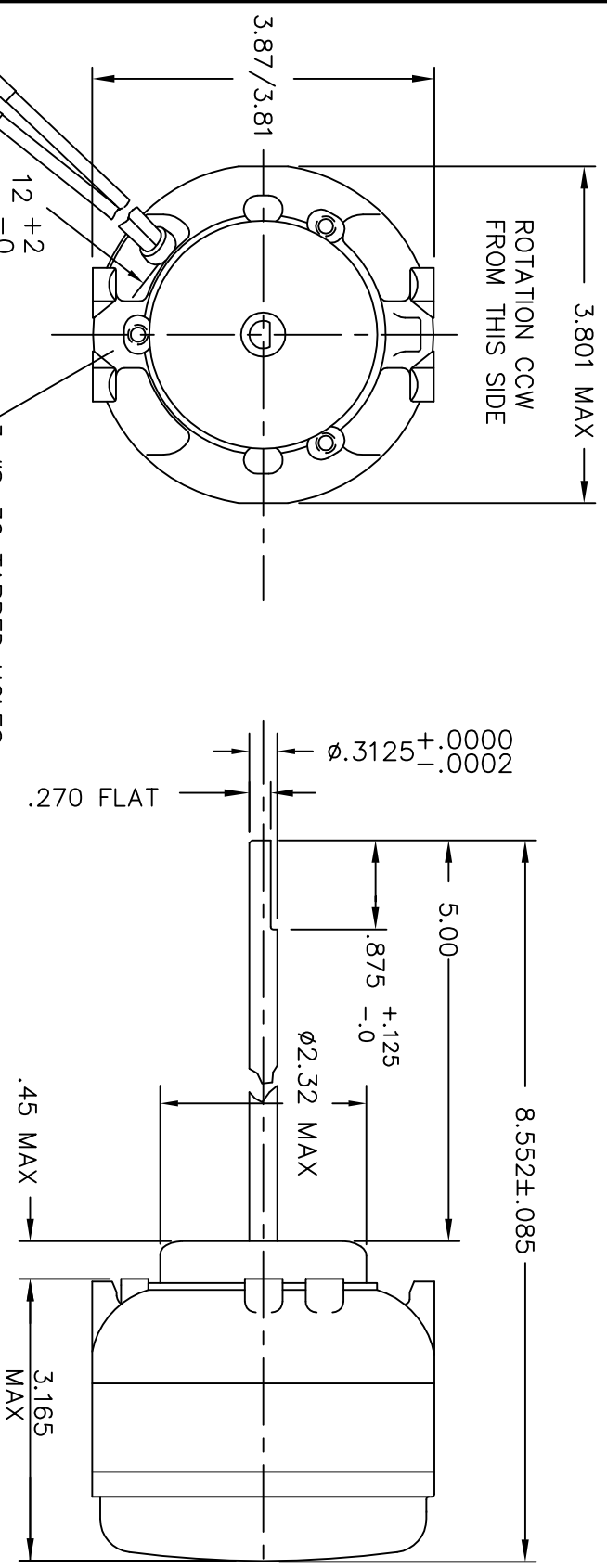
**Technical Specifications**

Electrical Type	Shaded Pole	Starting Method	Across The Line
Poles	4	Rotation	Counterclockwise Lead End
Mounting	2 BOSS/OSE 3 HOLES	Drive End Bearing	Unit
Opp Drive End Bearing	Unit	Frame Material	Cast Iron
Shaft Type	Flat	Frame Length	3.62 in
Shaft Diameter	0.312 in	Shaft Extension	5 in
Outline Drawing	292-S01		

This is an uncontrolled document once printed or downloaded and is subject to change without notice. Date Created:02/10/2025

NO.	REVISIONS	DATE AND SIGNATURE
1	CUST WAS MAGNETEK	6-7-02
2	ADDED MAX DIM'S	2-6-04
3	WAS A.O. SMITH	8-31-11

NO. A-23574



3 #8-36 TAPPED HOLES SPACED 120° APART ON A 2.813 DIA. CENTER LINE.

#8 EYELETS

TOP AND BOTTOM BOSSES TAPPED #8-36 N.F. 8 HOLES TOTAL .375 MIN. DEPTH.

TOLERANCE  
 .0000=±.0002 .000=±.005  
 .00=±.010 FRACTION=±1/64  
 0°=±30' 0.0°=±5' 0.0°0°=REF. ONLY  
 ABOVE TOLERANCES APPLY UNLESS OTHERWISE SPECIFIED. TOLERANCES ARE NOT ACCUMULATIVE.

ON SPECIFIC REQUEST, OUTLINE DIMENSIONS ON WHICH NO LIMIT IS SPECIFIED ARE NOMINAL AND NOT GUARANTEED AS TO TOLERANCE. ADDITIONAL INFORMATION ON TOLERANCES WILL BE FURNISHED

**ELECTRIC MOTORS AND SPECIALTIES INC.**

115V 60/50HZ CCW GARRETT, INDIANA 46738

FIRST MADE FOR		MATERIAL	
ESP-L15EMJR1B2 Regal Beloit EPC		CUST NO. 292	
DRAWN BY	DATE	SCALE	APPROVED BY
JIM NICHTER	1-19-96	1/2 SIZE	
TITLE			NO. A-23574
MOTOR OUTLINE			