

PRODUCT INFORMATION PACKET



Model No: 298
Catalog No: 298
75 WATT Refrigeration Motor, 1500 RPM, 230 Volts, Unit Bearing, TEAO



Regal and Century are trademarks of Regal Rexnord Corporation or one of its affiliated companies.
©2022 Regal Rexnord Corporation, All Rights Reserved. MC017097E





Nameplate Specifications

Output Watts	75 W	Frequency	60 Hz
Voltage	230 V	Current	1.5 A
Speed	1500 rpm	Service Factor	1
Phase	1	Duty	Continuous
Insulation Class	A	Frame	UNIT BEARING
Enclosure	Totally Enclosed Air Over	Thermal Protection	Thermally Protected
Ambient Temperature	40 °C	UL	Recognized
CSA	Y	CE	N
Number of Speeds	1		

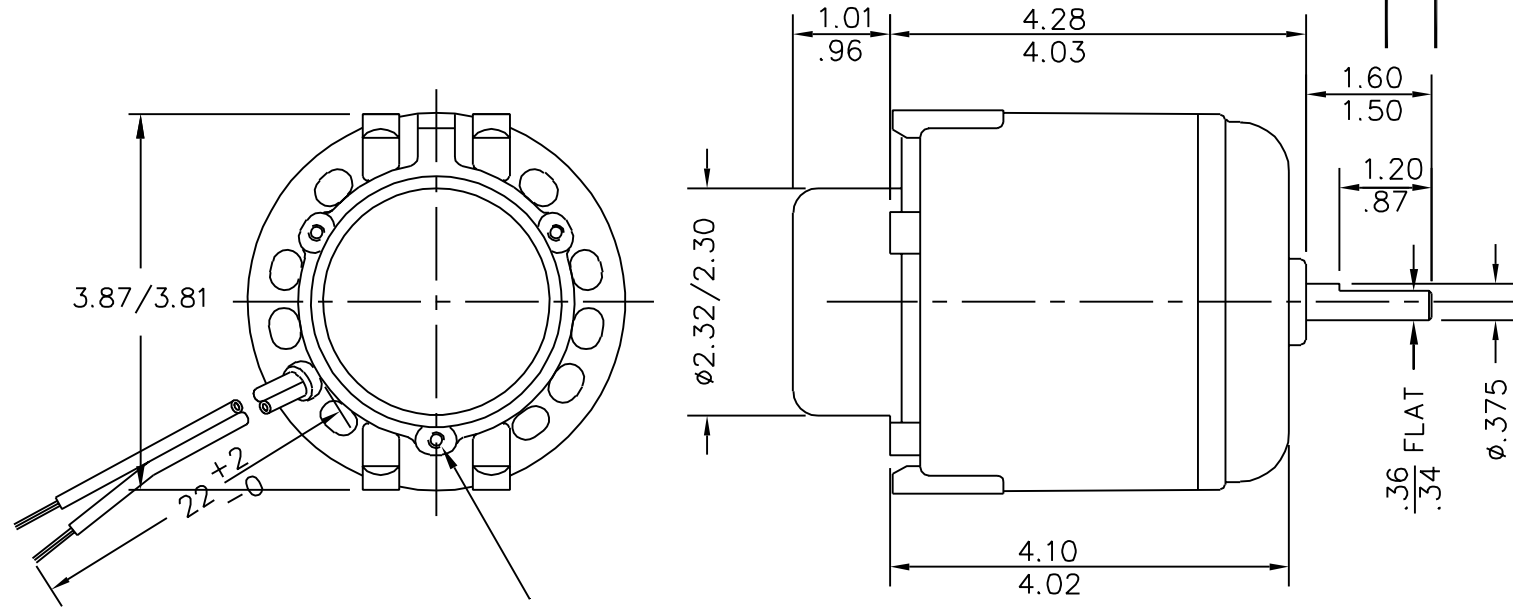
Technical Specifications

Electrical Type	Shaded Pole	Starting Method	Across The Line
Poles	4	Rotation	Clockwise Lead End
Mounting	2 BOSS/OSE 3 HOLES	Drive End Bearing	Unit
Opp Drive End Bearing	Unit	Frame Material	Cast Iron
Shaft Type	Flat	Frame Length	5.29 in
Shaft Diameter	0.375 in	Shaft Extension	1.6 in
Outline Drawing	298-S01		

This is an uncontrolled document once printed or downloaded and is subject to change without notice. Date Created:11/29/2022

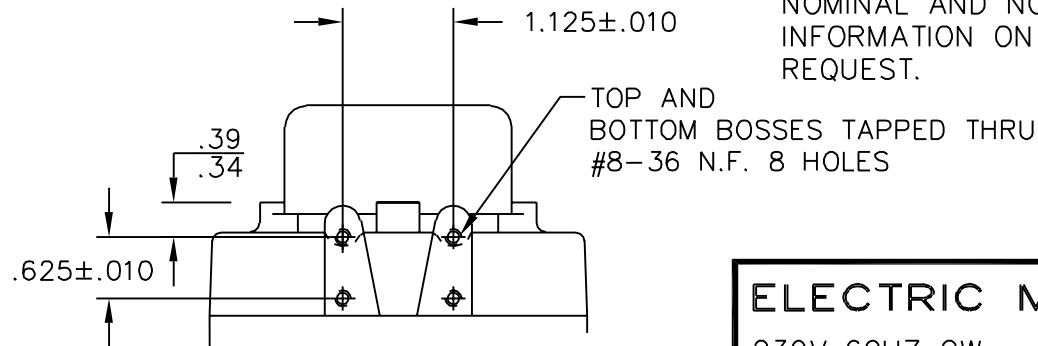
NO. A-23667

NO.	REVISIONS	DATE AND SIGNATURE
1	LEAD WAS (2) #10EYELETS	7-6-98
2	CUST NAME WAS MAGNETEK	6-7-02



3 #8-36 TAPPED HOLES
SPACED 120° APART ON A
2.813 DIA. CENTER LINE.

OUTLINE DIMENSIONS ON WHICH NO LIMIT IS SPECIFIED ARE NOMINAL AND NOT GUARANTEED AS TO TOLERANCE. ADDITIONAL INFORMATION ON TOLERANCE WILL BE FURNISHED ON SPECIFIC REQUEST.



TOLERANCE
.0000=±.0002 .000=±.005
.00=±.010 FRACTION=±1/64
0°=±30° 0'0°=±5° 0'0'0°=REF. ONLY
ABOVE TOLERANCES APPLY UNLESS
OTHERWISE SPECIFIED TOLERANCES
ARE NOT ACCUMULATIVE.

ELECTRIC MOTORS AND SPECIALTIES INC.			
230V 60HZ CW		GARRETT, INDIANA 46738	
FIRST MADE FOR ESP-OL75EM2 A.O. SMITH		MATERIAL CUST NO. 298	
DRAWN BY JIM NICHTER	DATE 7-11-96	SCALE 1/2 SIZE	APPROVED BY DATE
TITLE MOTOR OUTLINE			NO. A-23667