

PRODUCT INFORMATION PACKET



Model No: 3005
Catalog No: 3005
1/3 HP OEM Replacement Motor, 825 RPM, 230 Volts, 48 Frame, Semi Enclosed
OEM Replacement Motors



Regal and Genteq are trademarks of Regal Rexnord Corporation or one of its affiliated companies.
©2021 Regal Rexnord Corporation, All Rights Reserved. MC017097E





Nameplate Specifications

Output HP	1/3 Hp	Frequency	60 Hz
Voltage	230 V	Current	2.40 A
Speed	825 rpm	Service Factor	1
Phase	1	Duty	Continuous Air Over
Insulation Class	B	Frame	48
Enclosure	Open Air Over	Thermal Protection	Thermally Protected
Ambient Temperature	40 °C	UL	Recognized
CSA	Y	CE	N
Number of Speeds	1		

Technical Specifications

Electrical Type	Permanent Split Capacitor	Poles	8
Rotation	Clockwise	Mounting	Round
Motor Orientation	Any	Drive End Bearing	Ball
Opp Drive End Bearing	Ball	Frame Material	Rolled Steel
Shaft Type	Double Flat	Overall Length	9.81 in
Frame Length	4.57 in	Shaft Diameter	0.500 in
Shaft Extension	3.92 in		
Outline Drawing	5KCP39PGC092S	Connection Drawing	NP24X327048

This is an uncontrolled document once printed or downloaded and is subject to change without notice. Date Created:10/12/2021

										1	
										NAMEPLATE DATA	
										MODEL	5KCP39PGC092S
										CUST. P/N	STOCK NO 3005
										HP	1/3
										RPM	825
										VOLTS	230
										HZ	60
										SPEEDS	1
										AMPS	2.40
										CAP. REQ'D-D1	12.50 µfd/370 Volts
										CAP. REQ'D-D2	N/R
										CONN.DRW#	NP24X327048
										ROTATION	CW (VIEWED FROM LE)
										BEARING	BALL

4

3

2

1

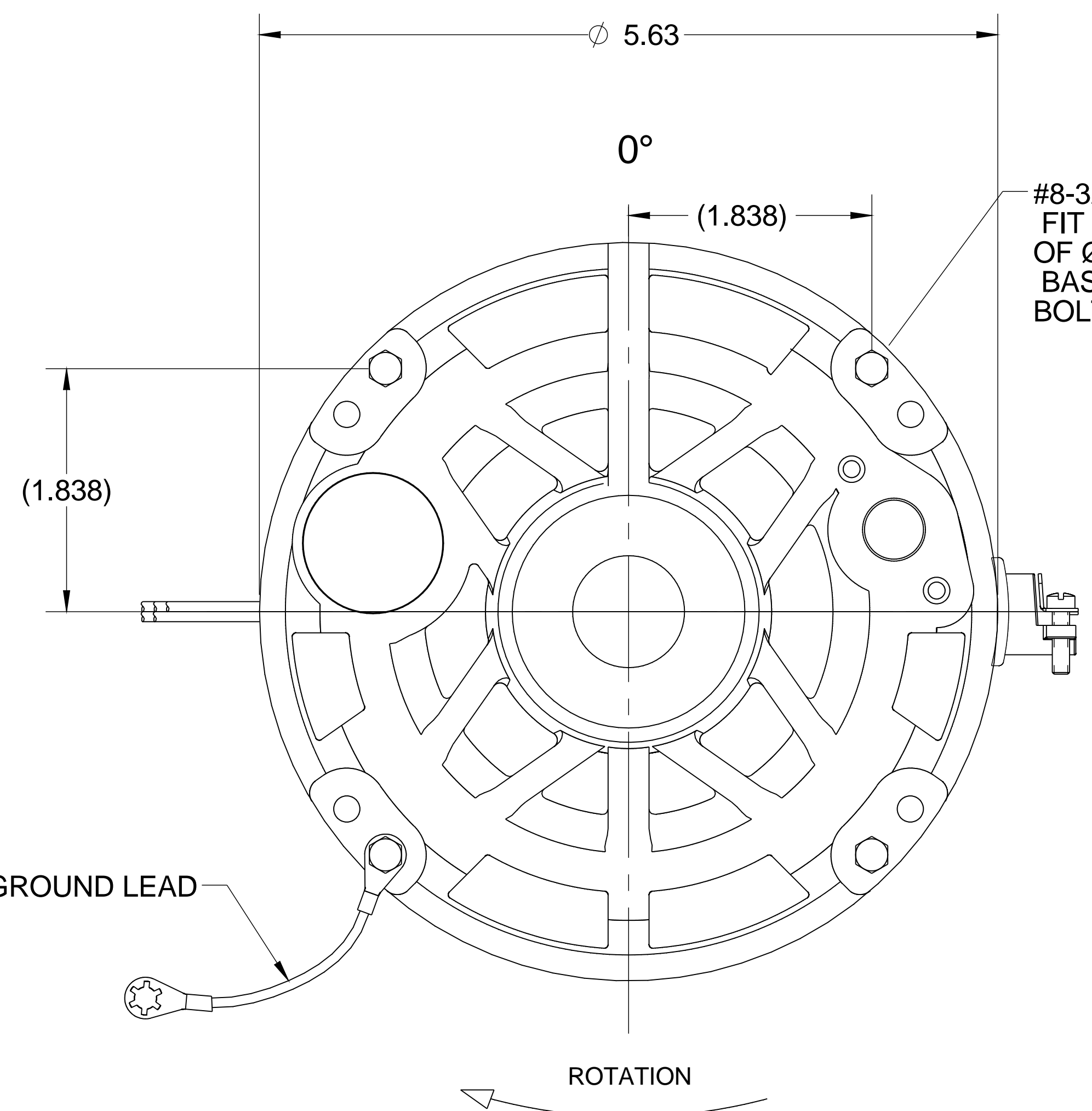
S.NO	CONNECTION	COLOR	EXIT TYPE	EXIT LOC (VIEWING LE)	GAGE	MATERIAL	WALL THK.	LENGTH	TERMINATION
1	COMMON LEAD	BLACK	SHELL BX/CBOX HOLE	3:00	18	THERMOPLASTIC	4/64	40.00	.50 BWS
2	CAPACITOR LEAD	BROWN	SHELL NOTCH	9:00	18	THERMOPLASTIC	4/64	8.00	.25 FLAG-QC
3	CAPACITOR LEAD	BROWN	SHELL NOTCH	9:00	18	THERMOPLASTIC	4/64	8.00	.25 FLAG-QC
4	HIGH SPEED LEAD	BLACK	SHELL BX/CBOX HOLE	3:00	18	THERMOPLASTIC	4/64	40.00	.50 BWS
5	GROUND LEAD	GRN/YEL	CLAMP SCREW	7:30	14	THERMOPLASTIC	2/64	12.00	#10 SERRATED EYELET

B

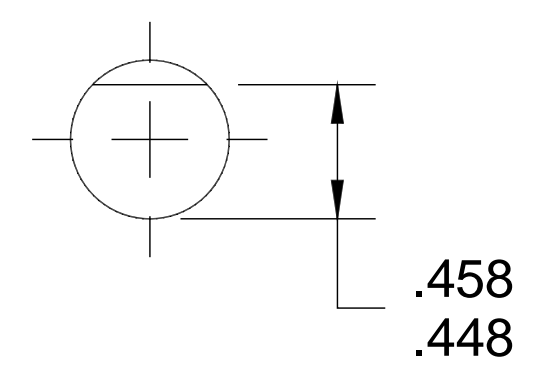
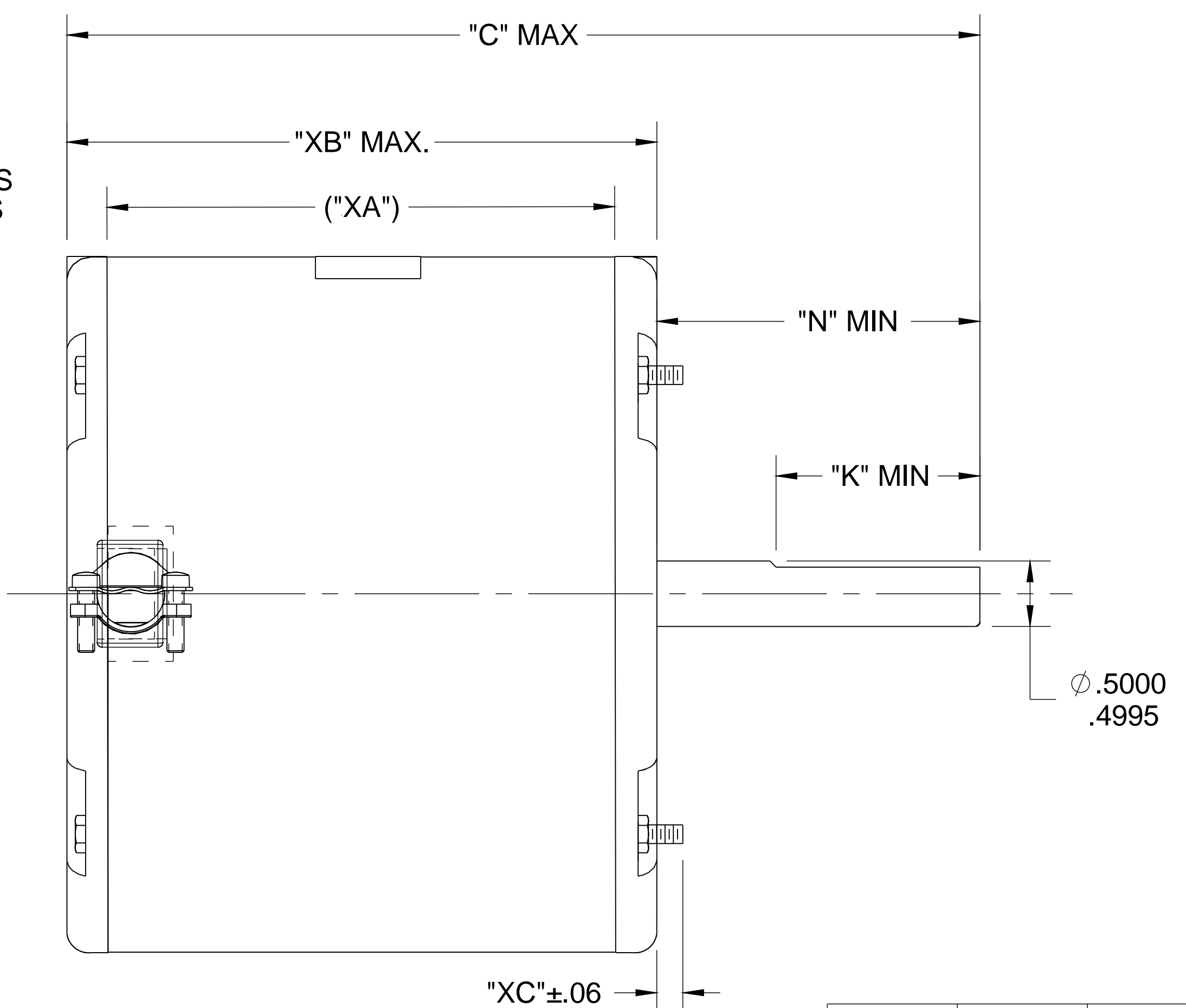
B

A

A



#8-32 THREAD .THESE SCREWS FIT A GAGE HAVING (4) HOLES OF Ø .1910 LOCATED ON BASIC POSITION (5.20 REF. BOLT CIRCLE DIAMETER).

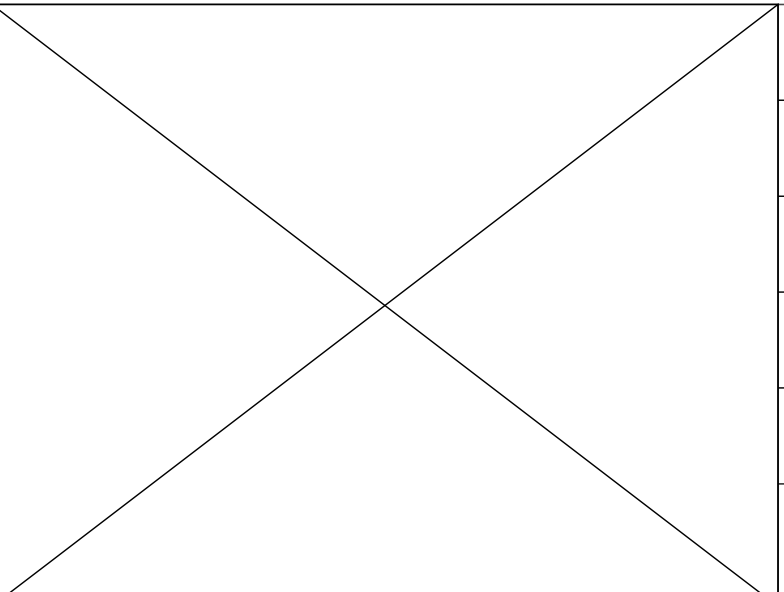


9.81	3.92	3.00	4.57	5.23	5.14	.14	N/A
"C"	"N"	"K"	"XA"	"XB"	"LM"	"XC"	"XD"

NOTE:
 1) DIMENSIONS SHOWN ARE NOMINAL UNLESS OTHERWISE SPECIFIED.
 2) NAME PLATE LABEL LOCATION : 0° - CENTER - READ FROM LE.

VENTILATION SYSTEM	
SHELL VENTS	CLOSED
ENDSHIELD (OPP.LEAD END)	OPEN
ENDSHIELD (LEAD END)	OPEN

DRAWING REVISION C	REVISION BY M. Logan	DATE 05-05-2016
ECO ECO-0101689	APPROVED BY M. Logan	DATE 05-05-2016
ECO DESCRIPTION CONVERT TO SW		
<small>COPYRIGHT REGAL BELOIT AMERICA, INC. ALL RIGHTS RESERVED. PROPRIETARY AND CONFIDENTIAL INFORMATION - THIS DOCUMENT IS THE PROPERTY OF REGAL BELOIT AMERICA, INC. ("OWNER") AND CONTAINS OWNER'S PROPRIETARY INFORMATION. ANY PERSON, CORPORATION OR OTHER FIRM RECEIVING IT IS DEEMED, BY RECEIVING IT, TO AGREE THAT IT, AND/OR ANY PART OF IT, SHALL NOT BE DISCLOSED TO ANY PERSON, CORPORATION OR OTHER ENTITY, DUPLICATED, AND/OR USED, EXCEPT AS EXPRESSLY APPROVED IN WRITING IN ADVANCE BY OWNER. THIS DOCUMENT SHALL BE RETURNED TO OWNER UPON REQUEST. IT MAY BE SUBJECT TO CERTAIN RESTRICTIONS UNDER APPLICABLE EXPORT CONTROL LAWS AND REGULATIONS.</small>		



DRAWN BY M. Logan
DATE 05-05-2016
APPROVED BY M. Logan
DATE 05-05-2016
PROCESS/FINISH
THIRD ANGLE PROJECTION

Regal Beloit America, Inc.	
DESCRIPTION OUTLINE CUSTOMER - DEF PUR	
MATERIAL	
SIZE B	DRAWING NUMBER 5KCP39PGC092S
	SHEET 1 OF 1

4

3

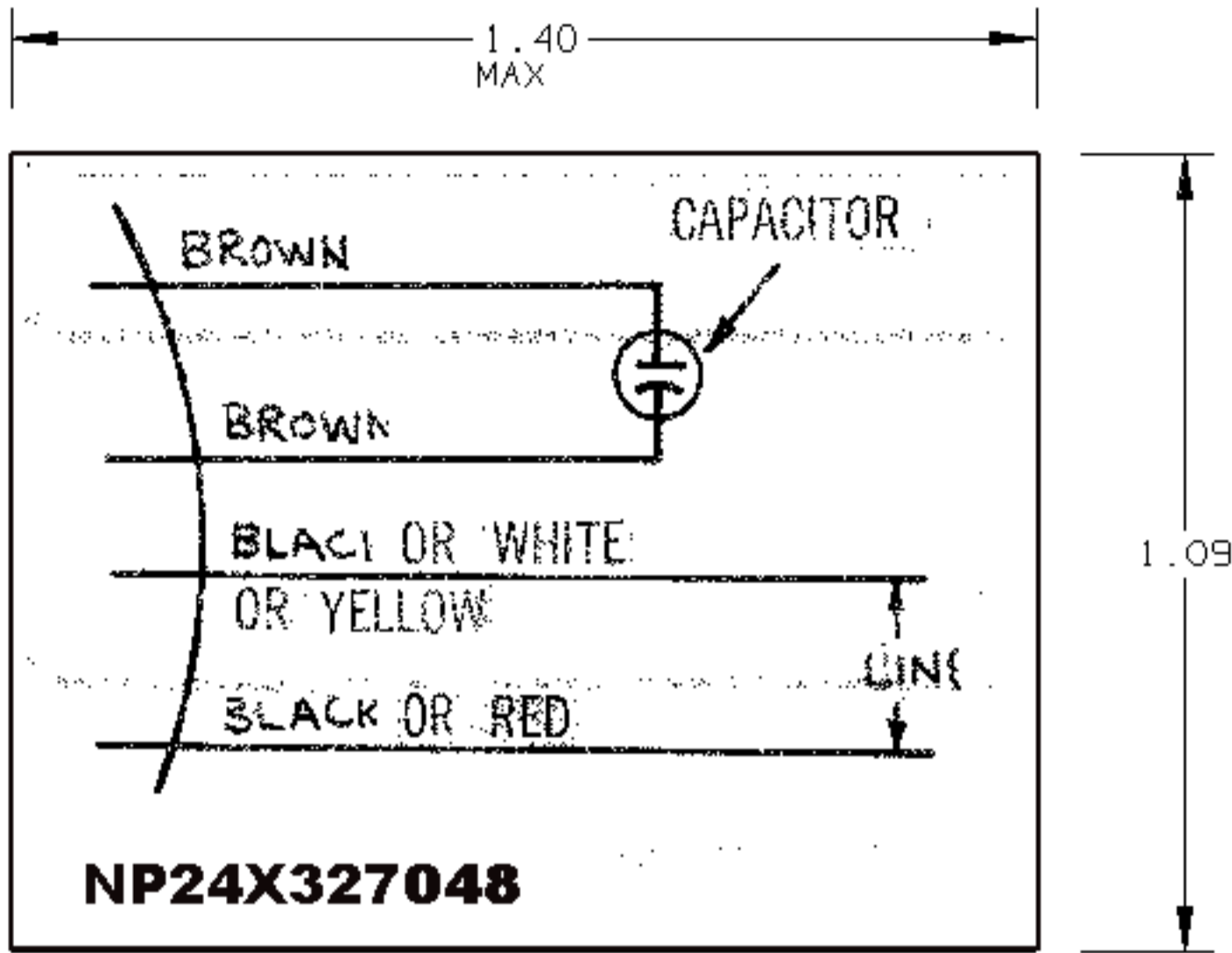
2

1

RBC PROPRIETARY STATEMENT

This document is the property of REGAL-BELOIT Corporation ("RBC") including its subsidiaries and divisions and contains proprietary information of RBC. This document is loaned on the express condition that neither it nor the information contained therein shall be disclosed to others without the express written consent of RBC, and that the information shall be used by the recipient only as approved expressly by RBC. This document shall be returned to RBC upon its request. This document may be subject to certain restrictions under the U.S. export control law and regulations.


REVISIONS	
REV	DESCRIPTION
1	Convert to RBC Format JAR 8-2005



TYPE FACE: COLORS OR NUMBERS DENOTING LEAD IDENTIFICATION AND N.P. NUMBER ARE TO BE 18 POINT NEWS GOTHIC CONDENSED. OTHER INFORMATION SHOULD BE 18 POINT IF SPACE ALLOWS, OTHERWISE USE 14 POINT.

MATERIALS: 4 MIL WHITE VINYL ADHESIVE STOCK GE SPEC A50FG41-S1
BLACK INK GE SPEC A50FM48

NOTE: THE BOX LINES AND DIMENSIONS REPRESENT THE SIZE OF THE TAPE TO BE USED. DO NOT INCLUDE THESE IN STAMP FORMAT.

 REGAL REGAL-BELOIT CORPORATION BELOIT		
CONNECTION DIAGRAM		
FILE: _____ DPC # _____	NP24X327048	ISSUED RLU 8-72
		SCALE NO