

PRODUCT INFORMATION PACKET



Model No: 3084

Catalog No: 3084

Condenser Fan Motor, 1/4 HP, 1 Ph, 60 Hz, 208-230 V, 1075 RPM, 1 Speed, 48 Frame, TEAO



Regal and Genteq are trademarks of Regal Rexnord Corporation or one of its affiliated companies.

©2023 Regal Rexnord Corporation, All Rights Reserved. MC017097E





Nameplate Specifications

Output HP	1/4 Hp	Frequency	60 Hz
Voltage	208-230 V	Current	1.50 A
Speed	1075 rpm	Service Factor	1
Phase	1	Duty	Continuous Air Over
Insulation Class	B	Frame	48
Enclosure	Totally Enclosed Air Over	Thermal Protection	Thermally Protected
Ambient Temperature	40 °C	UL	Recognized
CSA	Y	CE	N
Number of Speeds	1		

Technical Specifications

Electrical Type	Permanent Split Capacitor	Poles	6
Rotation	Reversible	Mounting	Extended Studs
Motor Orientation	Vertical Shaft Down	Drive End Bearing	Sleeve
Opp Drive End Bearing	Sleeve	Frame Material	Rolled Steel
Shaft Type	Double Flat	Overall Length	10.95 in
Frame Length	3.82 in	Shaft Diameter	0.500 in
Shaft Extension	6.00 in		
Connection Drawing	NP24X327691	Outline Drawing	5KCP39HGE930ES

This is an uncontrolled document once printed or downloaded and is subject to change without notice. Date Created:02/17/2023

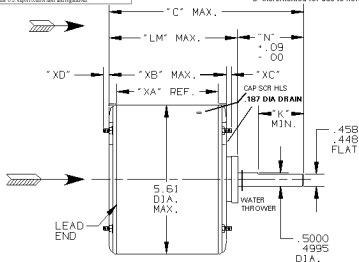
NECESSARY AND CONFIDENTIAL INFORMATION
 This document is the property of REGAL-BELOIT CORPORATION ("RBC") including its subsidiaries and divisions and contains proprietary information of RBC. This document is loaned to the recipient under the express condition that neither it nor the information contained therein shall be disclosed to others without the express written consent of RBC and that the information shall be used by the recipient only as approved in writing by RBC. This document shall be returned to RBC upon its request. This document is not to be distributed outside the U.S. export control laws and regulations.

STOCK

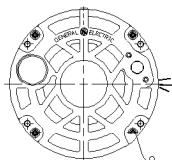
REVISIONS

REV DESCRIPTION

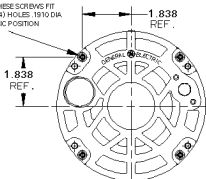
- CAS 1/9/01 ELEC FORMAT
- Modified per CR #05-1777 SN 08/24/05
- Incremented rev due to novamanage issue SN 9/6/05



#8-32 THREAD. THESE SCREWS FIT A GAGE HAVING (4) HOLES, 1.810 DIA LOCATED ON BASIC POSITION



Additional details
(Viewing Lead end)



2 FLATS 90 DEG APART

CLAMP SCREW POSITION WHEN "XC" OR "XD" EXCEED .14" IF "XC" OR "XD" = .14, IT IS A MAX DIM, BUT IF GREATER THAN A .14, VALUE GIVEN IS -.00+.14. IF EXTRA NUTS ARE FURNISHED FOR SPACING, DIMENSION IS FROM NUT NEXT TO END SHIELD.

Rotation *CON/CW* viewed in direction of arrow.

Ventilation System:

Shell vents - CLOSED

End shield (opp. lead end) - CLOSED

End shield (lead end) - CLOSED

Leads exit thru SHELL 90 degrees CW from top of motor viewed in direction of arrow.

10.96	6.00	5.50	4.89	3.82	4.48	.75	50
"C"	"N"	"K"	"LN"	"XA"	"XB"	"XC"	"XD"



REGAL-BELOIT CORPORATION
 FORT WAYNE, INDIANA

MOTOR OUTLINE

MODEL	ISSUED	SCALE
5KCP39HGE930ES	CAS 4/18/95	NO

MODEL

CAD. NO. F.H.I.N.

CAD. NO. F.H.I.N.

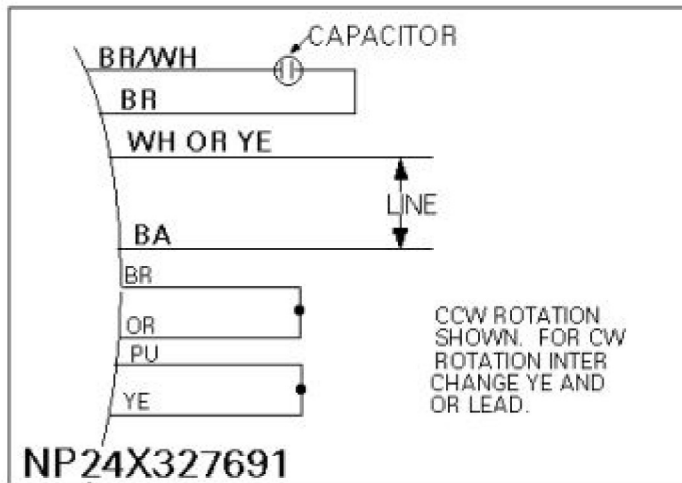
CONFIDENTIAL AND PROPRIETARY

This document is the property of General Electric Company and contains proprietary and confidential information of the Motor Business Group (MBG). The document is issued on the express conditions that neither it nor the information contained herein shall be disclosed to others without the express consent of MBG and that the information shall be used by the recipient only as approved expressly by MBG. Also, the document shall be returned to MBG upon its request.

REVISIONS

REV	DESCRIPTION
1	CAS 8/29/00 ELEC FORMAT

Uncontrolled Copy



GENERAL ELECTRIC	
MOTOR BUSINESS GROUP	FORT WAYNE, INDIANA
FILE: _____ DPC # _____ NP 24X327691	
ISSUED	SCALE
CAS 4/29/94	4/10