

PRODUCT INFORMATION PACKET



Model No: 3092
Catalog No: 3092

Fan Coil & Air Conditioner Motor, 1/2 HP, 1 Ph, 60 Hz, 208-230 V, 1075 RPM, 2 Speed, 48 Frame, OPAO



Regal and Genteq are trademarks of Regal Rexnord Corporation or one of its affiliated companies.
©2025 Regal Rexnord Corporation, All Rights Reserved. MC017097E





Nameplate Specifications

Phase	1	Output HP	1/2 Hp
Output KW	0.37 kW	Voltage	208-230 V
Speed	1075 rpm	Service Factor	1
Frame	48	Enclosure	Open Air Over
Thermal Protection	Thermally Protected	Ambient Temperature	40 °C
Frequency	60 Hz	Current	3.80 A
Duty	Continuous Air Over	Insulation Class	B
UL	Recognized	CSA	Y
CE	N	Number of Speeds	2

Technical Specifications

Electrical Type	Permanent Split Capacitor	Poles	6
Rotation	Counterclockwise	Mounting	Resilient Base
Motor Orientation	Any	Drive End Bearing	Sleeve
Opp Drive End Bearing	Sleeve	Frame Material	Rolled Steel
Shaft Type	Flat	Overall Length	23.00 in
Frame Length	4.82 in	Shaft Diameter	0.500 in
Shaft Extension	8.00 in		
Connection Drawing	NP24X327716	Outline Drawing	5KCP39NGD369ES

This is an uncontrolled document once printed or downloaded and is subject to change without notice. Date Created:02/10/2025

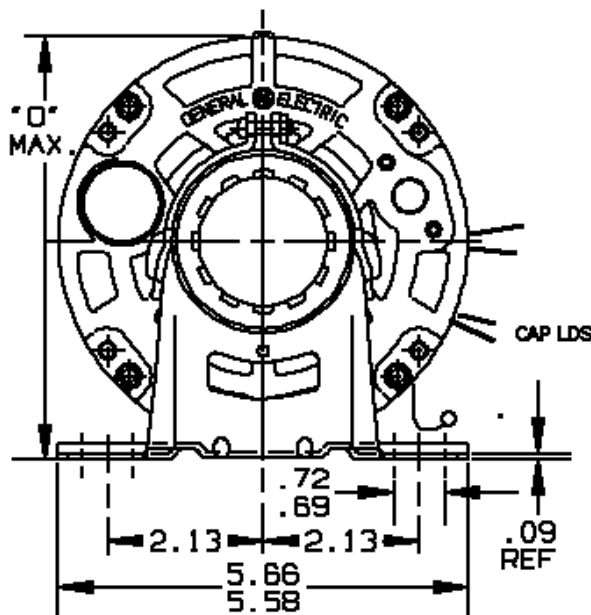
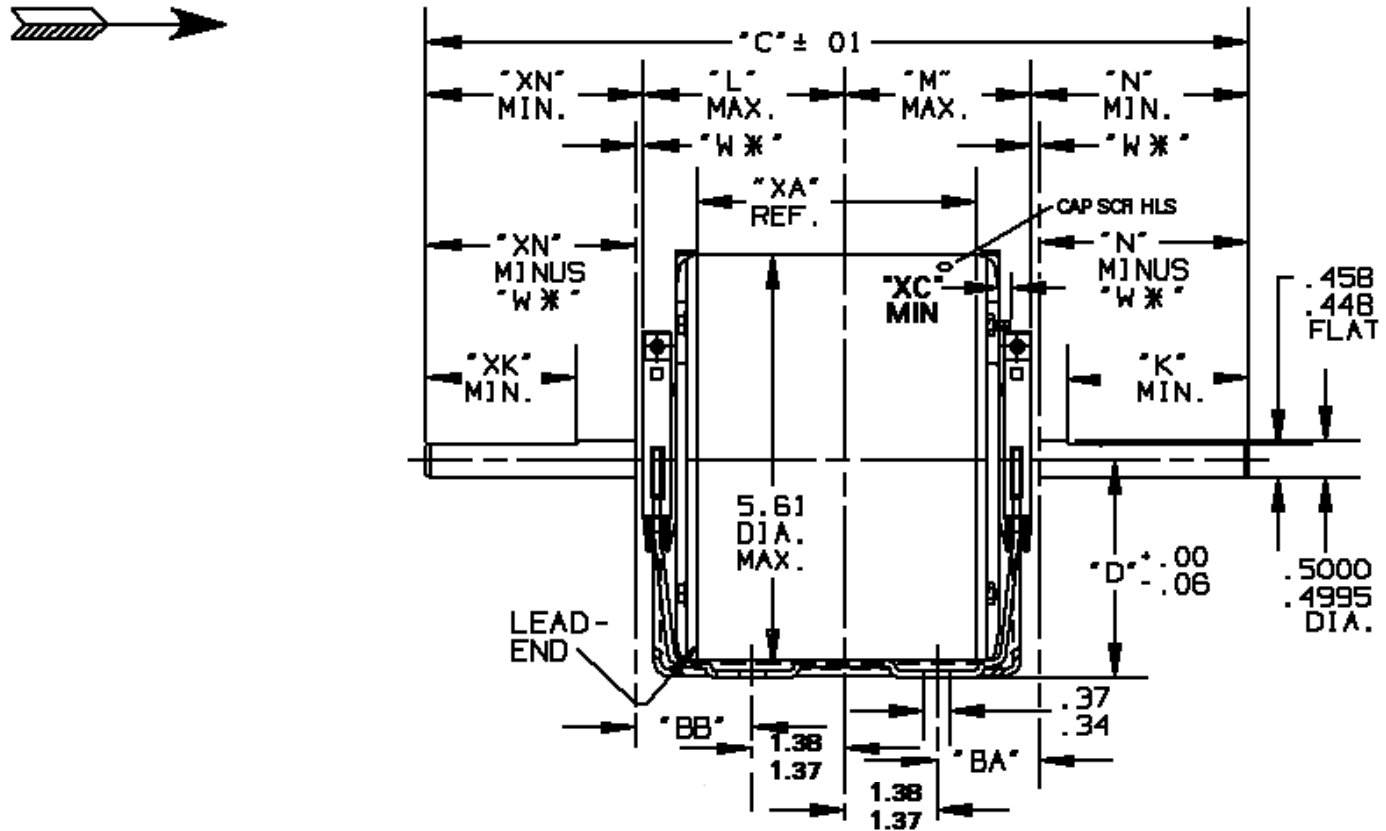
CONFIDENTIAL AND PROPRIETARY

This document is the property of General Electric Company, and contains proprietary and confidential information of The Motor Business Group (MBG). The document is loaned to the recipient on the understanding that neither it nor the information contained therein shall be disclosed to others without the express consent of MBG and that the information shall be used by the recipient only as approved expressly by MBG. Also, the document shall be returned to MBG upon its request.

STOCK

REVISIONS

REV	DESCRIPTION
1	CAS 1/8/01 ELEC FORMAT



**ADDITIONAL DETAILS
VIEWING LEAD END**

"W*" IS A VARIABLE CLEARANCE DUE TO VARIATIONS IN PARTS AND ASSEMBLY.
"N" MINUS "W" =
+.09 TO -.13.

NEMA 48 FRAME BASE

	4.82	3.00	5.83	1.50			
"BB"	"XA"	"D"	"O"	"XC"			
23.00	8.00	8.60	7.60	5.20	2.59	3.87	2.50
"C"	"N"	"XN"	"K"	"XK"	"L"	"M"	"BA"

ROTATION CCW VIEWED IN DIRECTION OF ARROW.
VENTILATION SYSTEM
SHELL - OPEN BOT 180
OPPOSITE LEAD END SHIELD - OPEN
LEAD END SHIELD - OPEN
LEADS EXIT THRU SHELL 90 DEGREES FROM
TOP OF MOTOR VIEWED IN DIRECTION OF ARROW

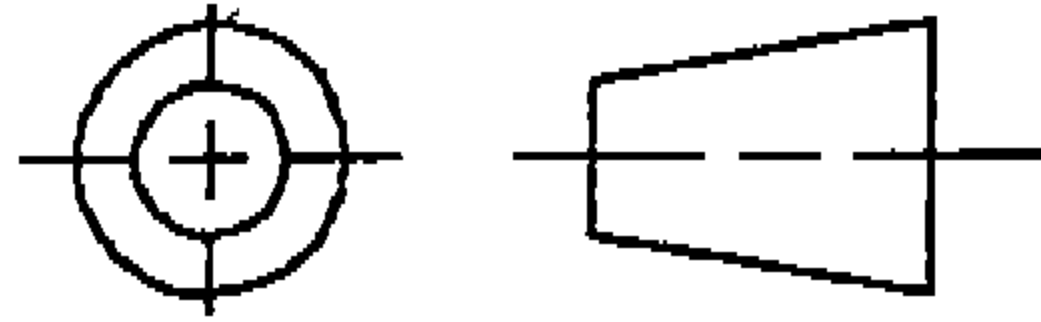
GENERAL ELECTRIC
MOTOR BUSINESS GROUP FORT WAYNE, INDIANA

MOTOR OUTLINE

MODEL	5KCP39NGD369ES	ISSUED	CAS 6/18/95	SCALE	4
-------	----------------	--------	-------------	-------	---

REV
SH
NP24X327716
SIZE A

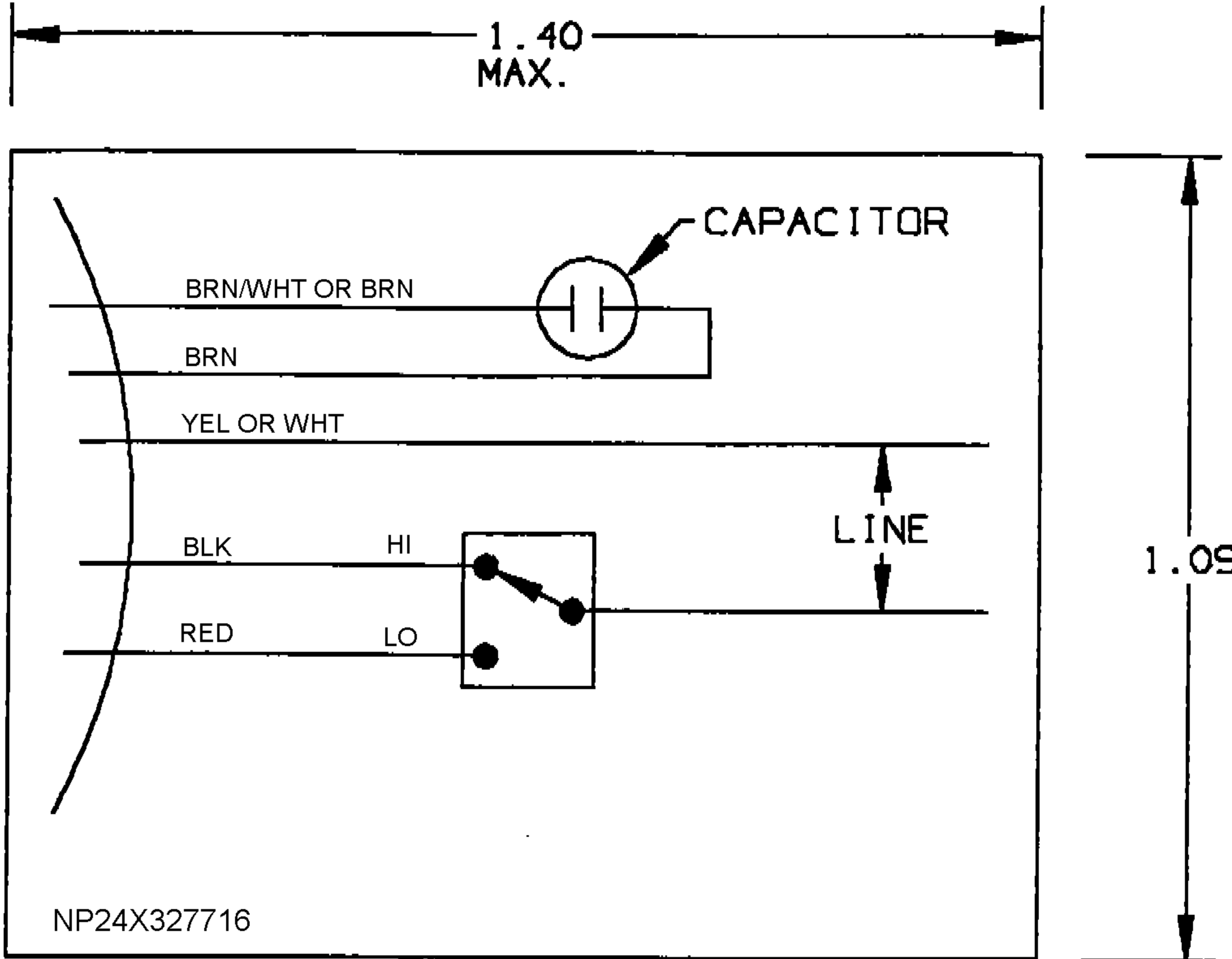
THIRD ANGLE PROJECTION



REVISIONS

REV	DESCRIPTION	DATE	APPROVED
-----	-------------	------	----------

2 UPDATED PER IS09-5194 12/03/09 NT



NOTE: THIS DRAWING WILL BE ELECTRONICALLY REPRODUCED BY THE HVAC FAN MOTOR NAMEPLATE SYSTEM.

UNLESS OTHERWISE SPECIFIED DIMENSIONS ARE IN INCHES TOLERANCES ON: 2 PL DECIMALS ± 3 PL DECIMALS ± ANGLES 1 FRACTIONS ± MATERIAL: APPLIED PRACTICES:	SIGNATURES	DATE	REGAL-BELOIT CORPORATION <h1 style="text-align: center; margin: 0;">NAMEPLATE LABEL</h1>		
	DRAWN <i>[Signature]</i>	11-1-94			
	CHECKED				
	ENGRG				
	ISSUED		SIZE	FSCM NO	DWG NO
			A		NP24X327716
	CAD NO.		SCALE	3	SHEET 1 OF 1