

PRODUCT INFORMATION PACKET

Model No: 3132

Catalog No: 3132

OEM Replacement Motor, 1/2 HP, 1 Ph, 60 Hz, 208-230 V, 1075 RPM, 1 Speed, 48 Frame, OAO



Regal and are trademarks of Regal Rexnord Corporation or one of its affiliated companies.
©2022 Regal Rexnord Corporation, All Rights Reserved. MC017097E

Nameplate Specifications

Output HP	1/2 Hp	Output KW	0.37 kW
Frequency	60 Hz	Voltage	208-230 V
Current	4.00 A	Speed	1075 rpm
Service Factor	1	Phase	1
Duty	Continuous Air Over	Insulation Class	B
Frame	48	Enclosure	Open Air Over
Thermal Protection	Thermally Protected	Ambient Temperature	40 °C
UL	Recognized	CSA	Y
CE	N	Number of Speeds	1

Technical Specifications

Electrical Type	Permanent Split Capacitor	Poles	6
Rotation	Counterclockwise	Mounting	Round
Motor Orientation	Any	Drive End Bearing	Ball
Opp Drive End Bearing	Ball	Frame Material	Rolled Steel
Shaft Type	Flat	Overall Length	10.89 in
Frame Length	6.07 in	Shaft Diameter	0.500 in
Shaft Extension	3.50 in		
Connection Drawing	NP24X327056	Outline Drawing	5KCP39PGC138AS

This is an uncontrolled document once printed or downloaded and is subject to change without notice. Date Created:09/15/2022

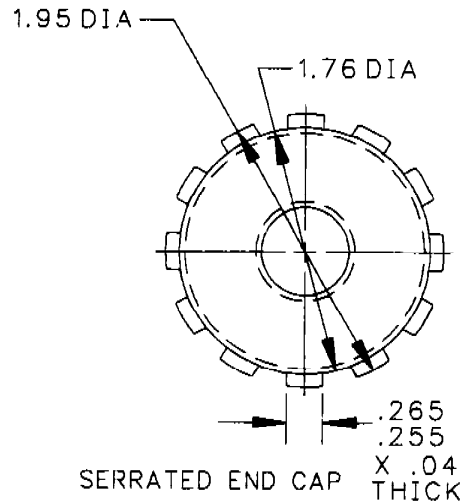
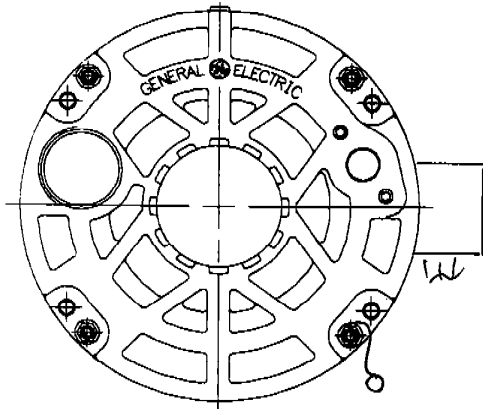
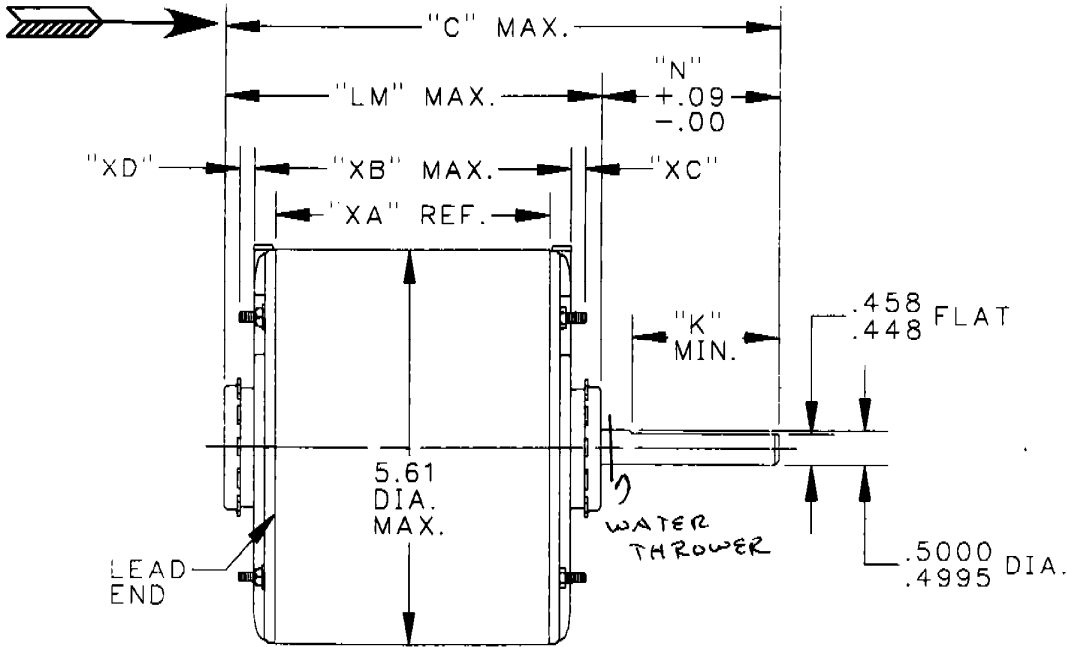
CONFIDENTIAL AND PROPRIETARY

This document is the property of General Electric Company and contains proprietary and confidential information of the Motor Business Group (MBG). The document is loaned on the express conditions that neither it nor the information contained therein shall be disclosed to others without the express consent of MBG and that the information shall be used by the recipient only as approved expressly by MBG. Also, the document shall be returned to MBG upon its request.

STOCK

REVISIONS


REV	DESCRIPTION



ADDITIONAL DETAILS
(VIEWING LEAD END)

ROTATION SCW VIEWED IN DIRECTION OF ARROW.
 VENTILATION SYSTEM
 SHELL - CLOSED
 OPPOSITE LEAD END SHIELD - CLOSED
 LEAD END SHIELD - OPEN
 LEADS EXIT THRU SHELL 90 DEGREES FROM
 TOP OF MOTOR VIEWED IN DIRECTION OF ARROW.

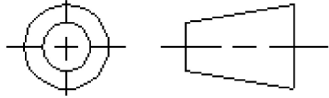
11.13	3.5	3.1	7.56	6.07	6.73	.14	-
"C"	"N"	"K"	"LM"	"XA"	"XB"	"XC"	"XD"

GENERAL  ELECTRIC	
MOTOR BUSINESS GROUP FORT WAYNE, INDIANA	
MOTOR OUTLINE	
MODEL 5KCP39PGC138AS	ISSUED 6-18-95
SCALE .4	

CAD. NO. F39:OLM44

THIRD ANGLE PROJECTION

REVISIONS



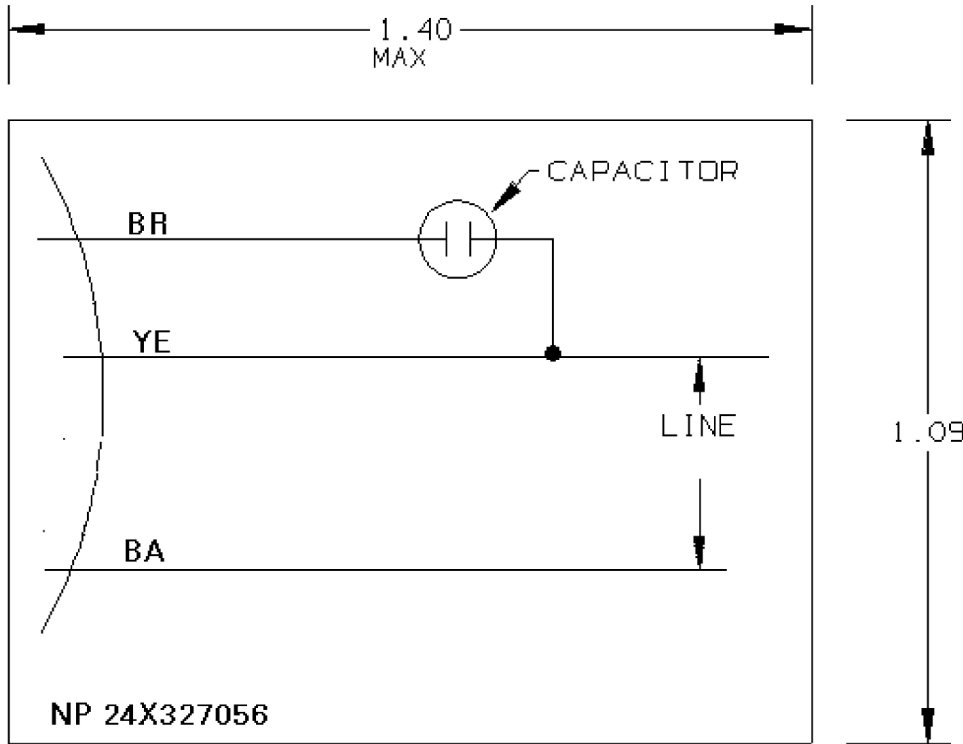
REV	DESCRIPTION	DATE	APPROVED
-----	-------------	------	----------

1 CAS 2/11/99 ELECTRONIC FORMAT

CONFIDENTIAL AND PROPRIETARY

This document is the property of General Electric Company and contains proprietary and confidential information of the Motor Business Group (MBG). The document is loaned on the express conditions that neither it nor the information contained therein shall be disclosed to others without the express consent of MBG and that the information shall be used by the recipient only as approved expressly by MBG. Also, the document shall be returned to MBG upon its request.

SIZE DWG NO NP 24X327056



NOTE: THIS DRAWING WILL BE ELECTRONICALLY REPRODUCED BY THE HVAC FAN MOTOR NAMEPLATE SYSTEM.

UNLESS OTHERWISE SPECIFIED DIMENSIONS ARE IN INCHES TOLERANCES ON: 2 PL DECIMALS ± 3 PL DECIMALS ± ANGLES ± FRACTIONS ± MATERIAL: APPLIED PRACTICES:	SIGNATURES	DATE	Fort Wayne, Indiana	
	DRAWN RL UETRECHT	4/3/1972		
	CHECKED			
	ENGRG			
	ISSUED		<h1>NAMEPLATE LABEL</h1>	
CAD NO	SIZE A	FSCM NO		DWG NO NP 24X327056
	SCALE 3			SHEET 1 OF 1

DISTR TO