

# PRODUCT INFORMATION PACKET



Model No: 3153  
Catalog No: 3153  
1/5 HP OEM Replacement Motor, 1075 RPM, 208-230 Volts, 48 Frame, TEAO  
OEM Replacement Motors



Regal and Genteq are trademarks of Regal Rexnord Corporation or one of its affiliated companies.  
©2021 Regal Rexnord Corporation, All Rights Reserved. MC017097E





**Nameplate Specifications**

Output HP	<b>1/5 Hp</b>	Output KW	<b>0.15 kW</b>
Frequency	<b>60 Hz</b>	Voltage	<b>208-230 V</b>
Current	<b>1.70 A</b>	Speed	<b>1075 rpm</b>
Service Factor	<b>1</b>	Phase	<b>1</b>
Duty	<b>Continuous Air Over</b>	Insulation Class	<b>B</b>
Frame	<b>48</b>	Enclosure	<b>Totally Enclosed Air Over</b>
Thermal Protection	<b>Thermally Protected</b>	Ambient Temperature	<b>40 °C</b>
UL	<b>Recognized</b>	CSA	<b>Y</b>
CE	<b>N</b>	Number of Speeds	<b>1</b>

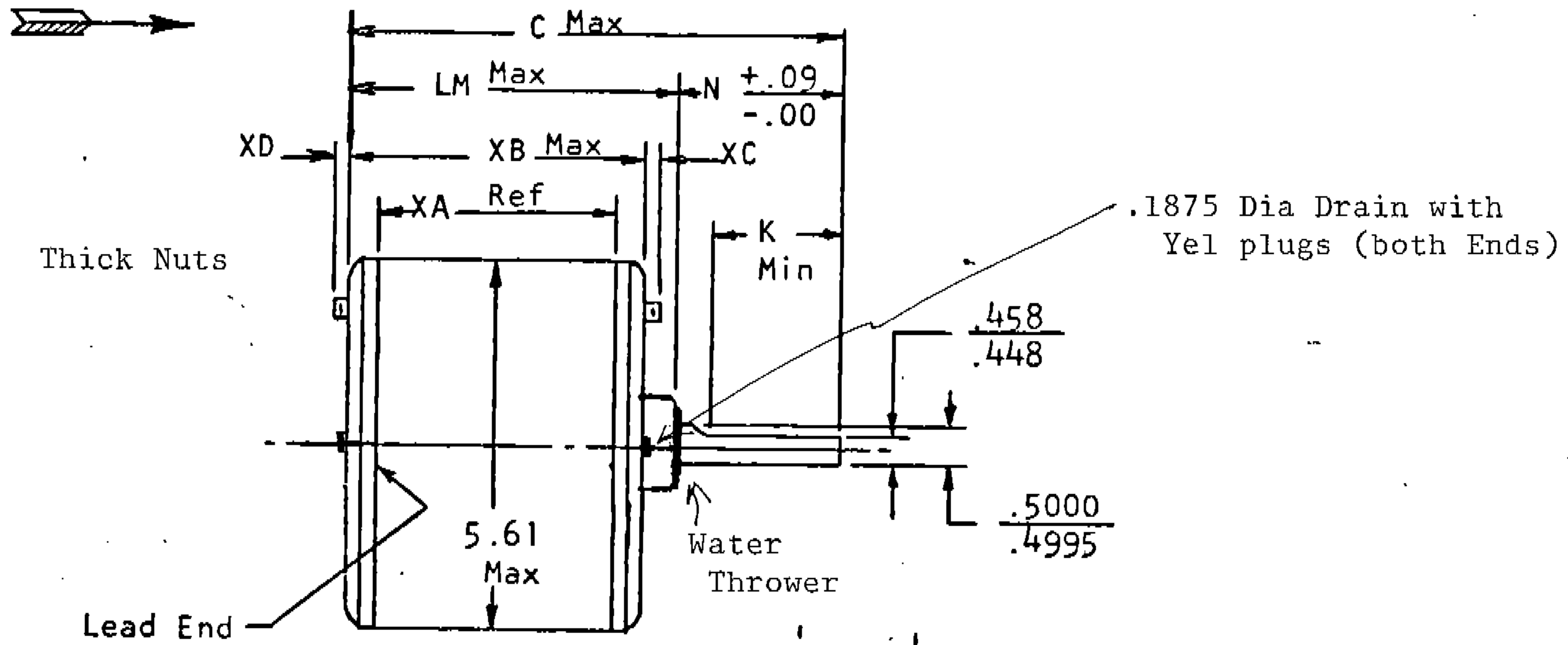
**Technical Specifications**

Electrical Type	<b>Permanent Split Capacitor</b>	Poles	<b>6</b>
Rotation	<b>Counterclockwise</b>	Mounting	<b>Extended Studs</b>
Motor Orientation	<b>Any</b>	Drive End Bearing	<b>Sleeve</b>
Opp Drive End Bearing	<b>Sleeve</b>	Frame Material	<b>Rolled Steel</b>
Shaft Type	<b>Flat</b>	Overall Length	<b>7.95 in</b>
Frame Length	<b>3.07 in</b>	Shaft Diameter	<b>0.500 in</b>
Shaft Extension	<b>3.75 in</b>		
Connection Drawing	<b>NP24X327697</b>	Outline Drawing	<b>5KCP39CGN330S</b>

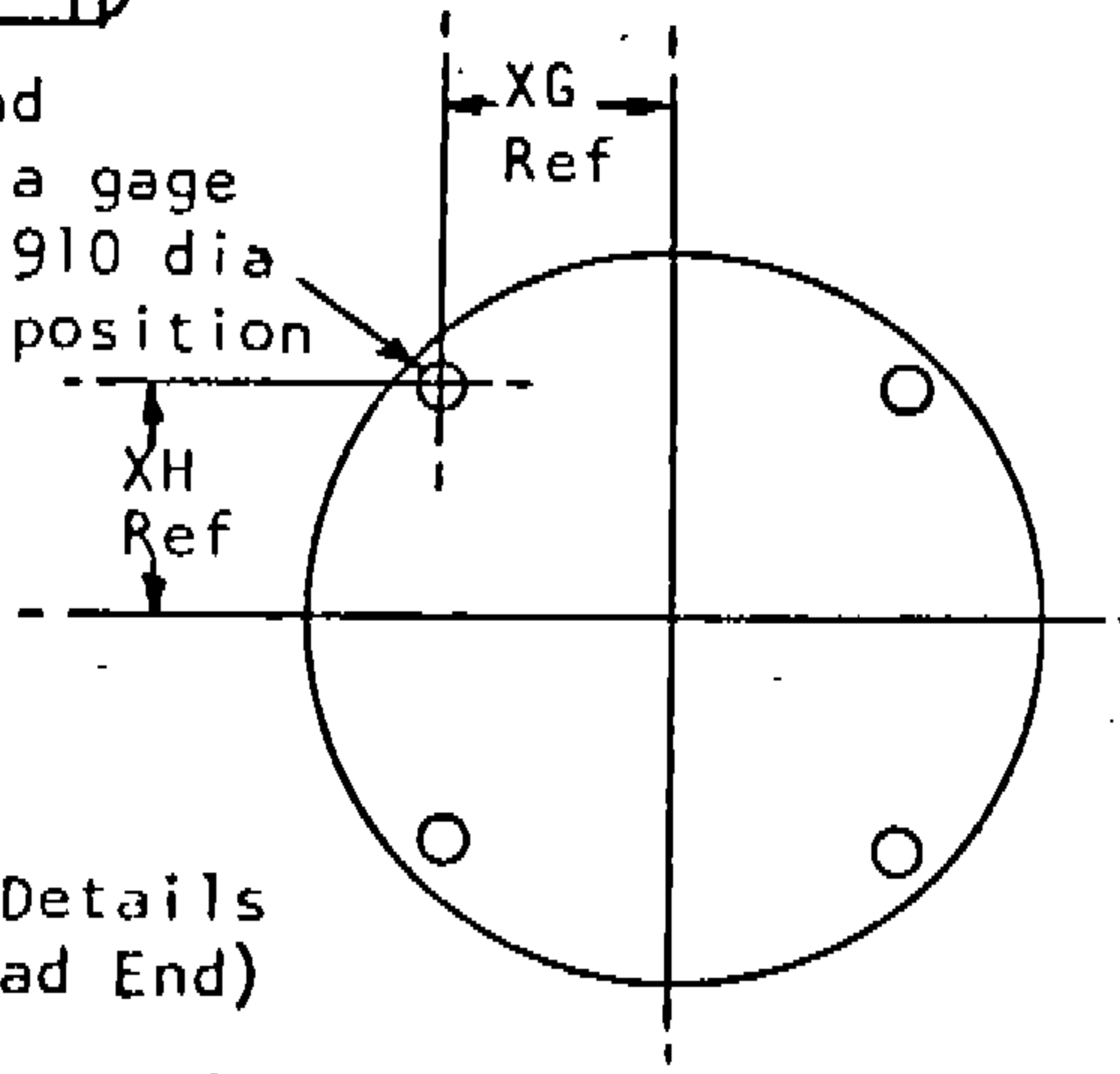
This is an uncontrolled document once printed or downloaded and is subject to change without notice. Date Created:10/11/2021

OUTLINE DIMENSIONS

Stock



#8-32 Thread  
These screws fit a gage having 4 holes .1910 dia located on basic position



Additional Details (Viewing Lead End)

Clampscrew Position when XC or XD exceed .14

If XC or XD = .14 it is a max. dim. but if greater than .14, value given is -.00/+ .14. If extra nuts are furnished for spacing, dimension is from nut next to shield.

C	N	K	LM	XA	XB	XC	XD	XG	XH					
7.96	3.75	3.50	4.14	3.07	3.73		.34	1.838	1.838					

Rotation CCW viewed in direction of arrow.

Ventilation System

Shell - Closed

Opposite lead end shield - Closed

Lead end shield - Closed

Leads exit thru Shell 205 degrees from top of motor viewed in direction of arrow.

Information regarding lead type, color, length, and termination furnished upon request.

S27

FORM SMP-39FR-5

ISSUED

Cost-29.87

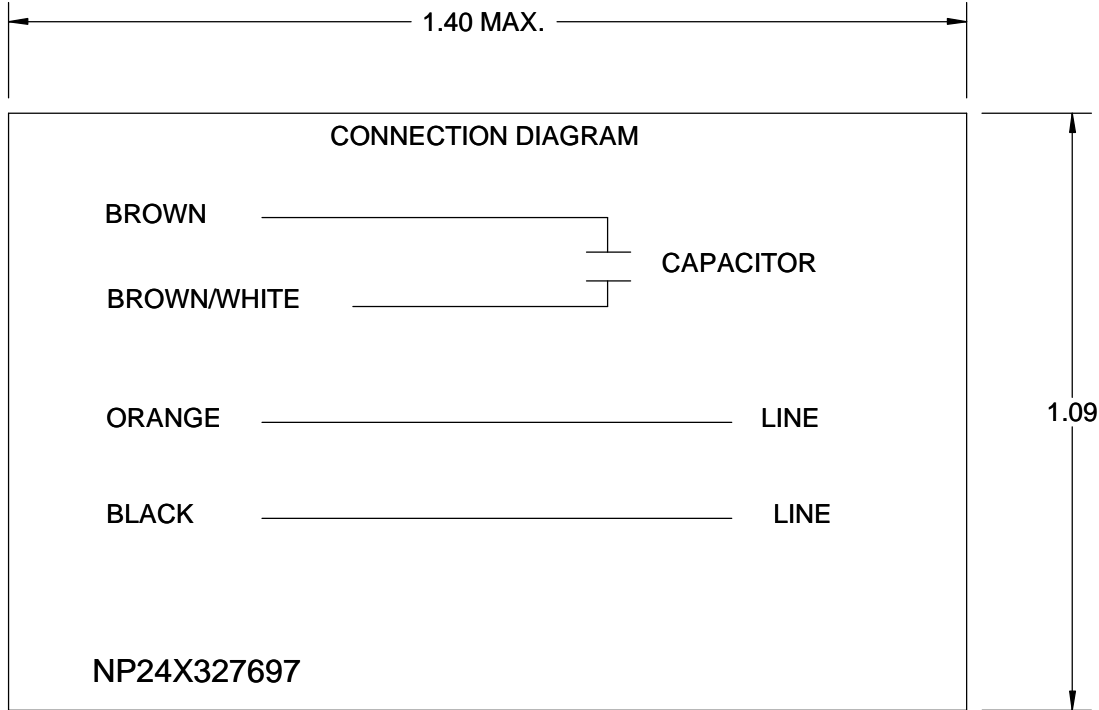
REVISIONS: *Reissued 4-9-87*  
*Rev 1195 59 and 7-10-75*  
3 LOGO MODIFIED IS 05-1777

MODEL

5KCP39CGN330 S

COPYRIGHT REGAL BELOIT AMERICA, INC. ALL RIGHTS RESERVED. UNCONTROLLED COPY  
 PROPRIETARY AND CONFIDENTIAL INFORMATION - THIS DOCUMENT IS THE PROPERTY OF  
 REGAL BELOIT AMERICA, INC. ("OWNER") AND CONTAINS OWNER'S PROPRIETARY  
 INFORMATION. ANY PERSON, CORPORATION OR OTHER FIRM RECEIVING IT IS DEEMED,  
 BY RECEIVING IT, TO AGREE THAT IT, AND/OR ANY PART OF IT, SHALL NOT BE DISCLOSED  
 TO ANY PERSON, CORPORATION OR OTHER ENTITY, DUPLICATED, AND/OR USED, EXCEPT  
 AS EXPRESSLY APPROVED IN WRITING IN ADVANCE BY OWNER. THIS DOCUMENT SHALL  
 BE RETURNED TO OWNER UPON REQUEST. IT MAY BE SUBJECT TO CERTAIN  
 RESTRICTIONS UNDER APPLICABLE EXPORT CONTROL LAWS AND REGULATIONS.

DRAWING REVISION A	REVISION BY KEP	DATE 11/20/2018
ECO ECO-0156990	APPROVED BY	DATE
ECO DESCRIPTION REDRAWN IN SW & RELEASED TO IDS		



**NOTES:**

- TYPE FACE:** COLORS OR NUMBERS DENOTING LEAD IDENTIFICATION AND N.P. NUMBER ARE TO BE 18 POINT NEWS GOTHIC CONDENSED. OTHER INFORMATION SHOULD BE 18 POINT IF SPACE ALLOWS, OTHERWISE USE 14 POINT.
- MATERIALS:** 4 MIL WHITE VINYL ADHESIVE STOCK RBC SPEC A50FG41-S1  
BLACK INK RBC SPEC A50FM48
- THE BOX LINES AND DIMENSIONS REPRESENT THE SIZE OF THE TAPE TO BE USED. DO NOT INCLUDE THESE IN STAMP FORMAT.

	DRAWN BY KEP	Regal Beloit America, Inc.	
	DATE 11/20/2018		
	APPROVED BY KEP	DESCRIPTION CONN DIAGRAM-EXTERNAL	
	DATE 11/20/2018	MATERIAL SEE NOTE	PROCESS/FINISH SEE NOTE
	REFERENCE	SIZE A	DRAWING NUMBER NP24X327697