

PRODUCT INFORMATION PACKET



Model No: 3160
Catalog No: 3160
1/6 HP OEM Replacement Motor, 1075 RPM, 2 Speed, 208-230 Volts, 48 Frame, OAO
OEM Replacement Motors



Regal and Genteq are trademarks of Regal Rexnord Corporation or one of its affiliated companies.
©2021 Regal Rexnord Corporation, All Rights Reserved. MC017097E





Nameplate Specifications

Output HP	1/6 Hp	Frequency	60 Hz
Voltage	208-230 V	Current	1.20 A
Speed	1075 rpm	Service Factor	1
Phase	1	Duty	Continuous Air Over
Insulation Class	B	Frame	48
Enclosure	Open Air Over	Thermal Protection	Thermally Protected
Ambient Temperature	40 °C	UL	Recognized
CSA	Y	CE	N
Number of Speeds	2		

Technical Specifications

Electrical Type	Permanent Split Capacitor	Poles	6
Rotation	Counterclockwise	Mounting	Lug
Motor Orientation	Vertical Shaft Up	Drive End Bearing	Sleeve
Opp Drive End Bearing	Sleeve	Frame Material	Rolled Steel
Shaft Type	Flat	Overall Length	7.38 in
Frame Length	3.07 in	Shaft Diameter	0.500 in
Shaft Extension	2.75 in		
Connection Drawing	NP219524	Outline Drawing	5KCP39CGP031S

This is an uncontrolled document once printed or downloaded and is subject to change without notice. Date Created:10/11/2021



REGAL-BELOIT CORPORATION
FORT WAYNE, INDIANA

MODEL
5KCP39CGP031 S

OUTLINE DIMENSIONS

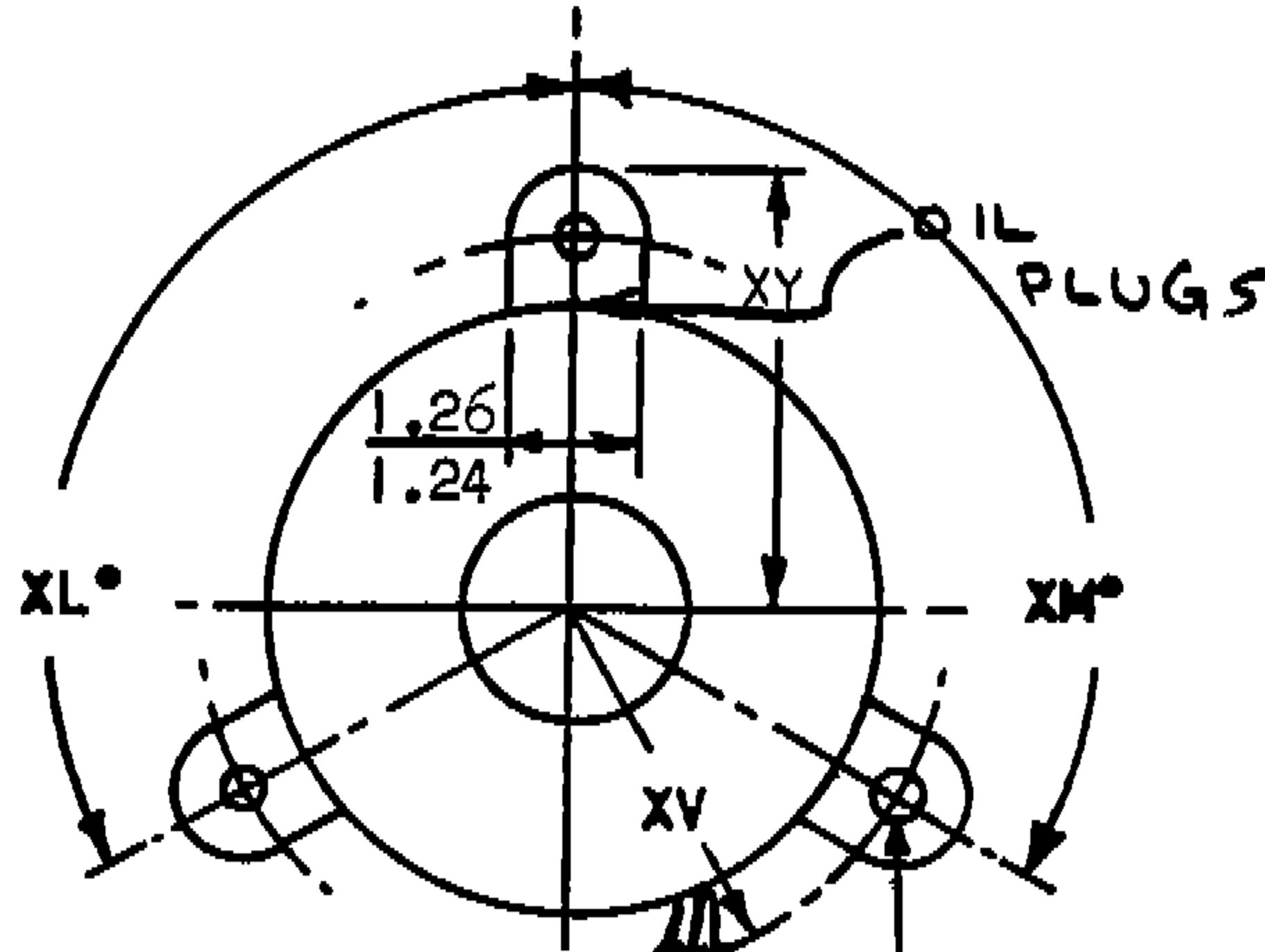


FIG. 1
XX
SEE NOTE #1

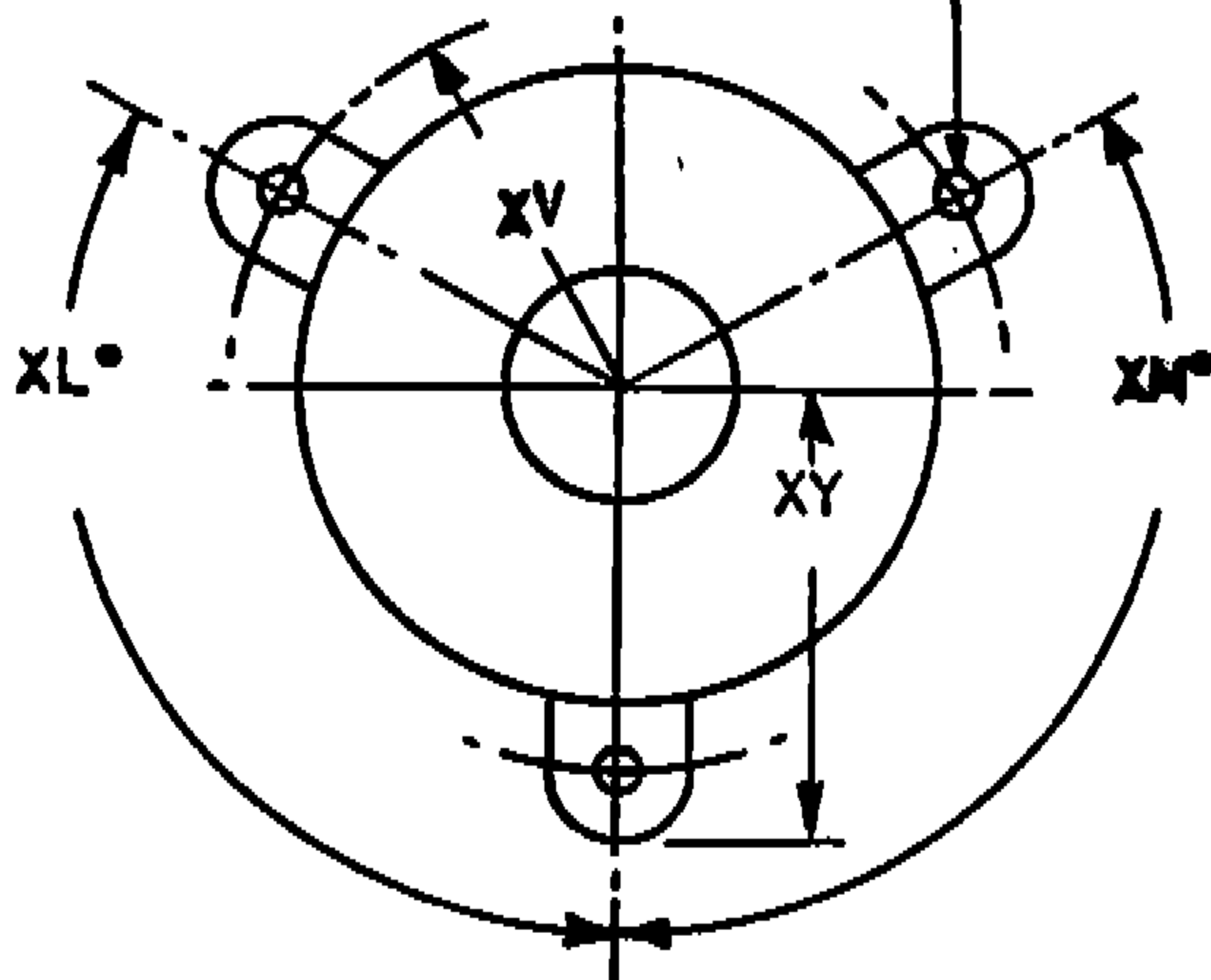
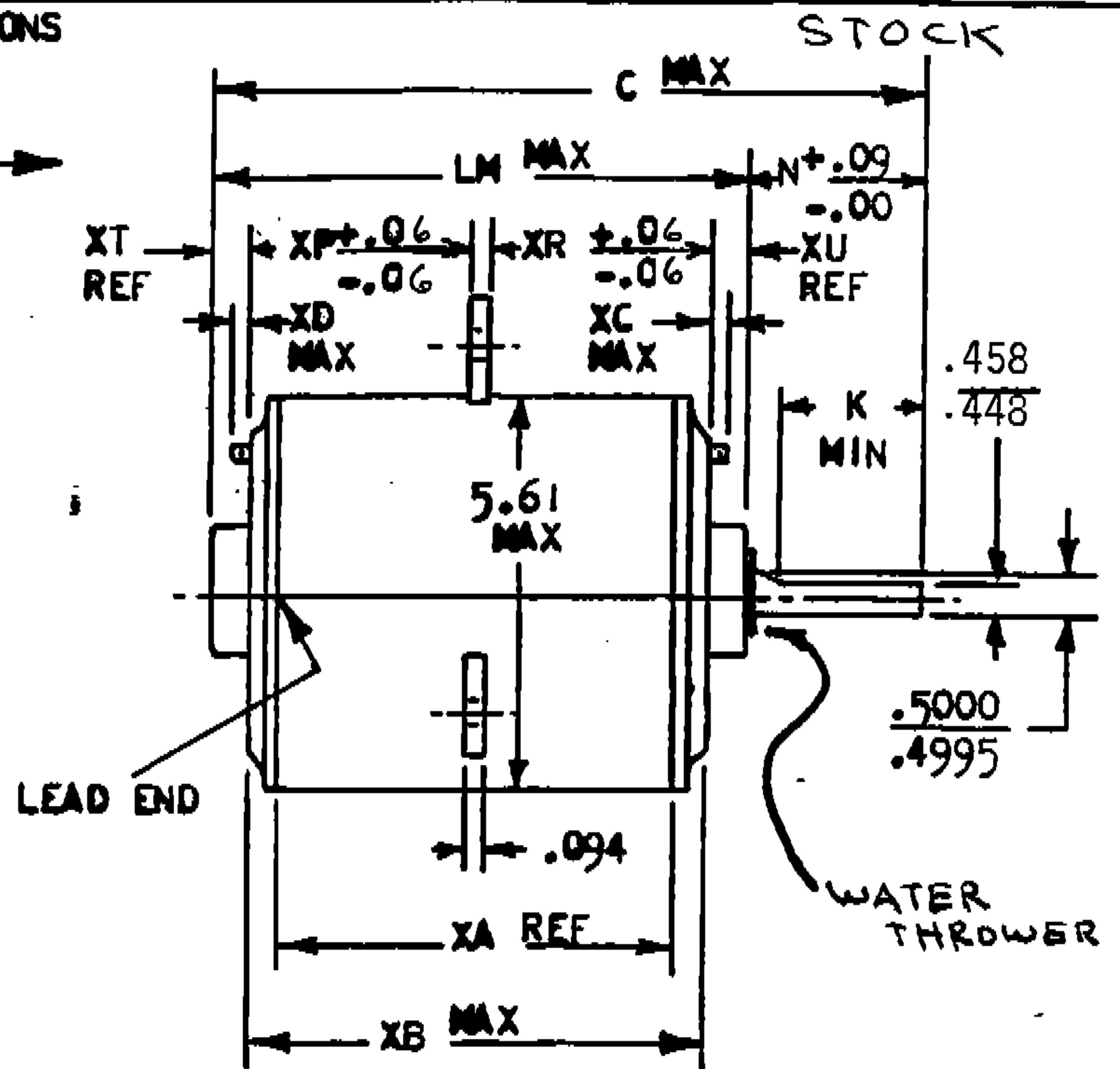


FIG. 2



Rotation CCW viewed in direction of arrow
Ventilation System
Shell - 1 ROW VENTS - 360° DPP LE
Opposite lead end shield - OPEN
Lead end shield - OPEN
Leads exit thru SHELL 150 degrees from top of motor viewed in direction of arrow

C	N	K	LM	XA	XB	XC	XD	XL	XM	XP	XR		XT	XU	XV
738	2.75	2.30	4.56	3.07	3.73	-	.14	120	120	.34	-		.42	.42	3.50
XW	XX	XY		LUG FIG.											
.351	.435	4.32		1											

MAX. VARIATION BETWEEN ALL LUG MOUNTING SURFACES IS .040"

NOTE #1 - XX IS NOMINAL SIZE OF THE THREE LUG HOLES. THESE HOLES FIT A GAGE HAVING THREE PINS XW DIA LOCATED ON THE BASIC HOLE POSITIONS.

S27(2)
G19(4)
G26

FORM SMP - 39 FR - 11

ISSUED

cos 8/4/88

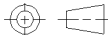
REVISIONS: REVISE PER TI-93/29-65 ¹/₂ MC 7-26-93
2 LOGO MODIFIED JS 05-1777

MODEL

5KCP39CGP031 S

THIRD ANGLE PROJECTION

REVISIONS



REV

DESCRIPTION

DATE

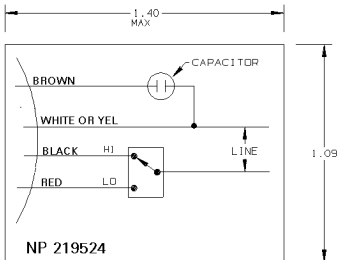
APPROVED

Uncontrolled Copy

NP 219524
E- GAS MOTOR ELECTRONMAY

CONFIDENTIAL AND PROPRIETARY

This document is the property of General Electric Company, and contains proprietary and confidential information of the Motor Business Group (MBG). The document is loaned on the express condition that neither it nor the information contained herein shall be disclosed to others without the express consent of MBG and that the information shall be used by the recipient only as required expressly by MBG. Also, the document shall be returned to MBG upon its request.



NOTE: THIS DRAWING WILL BE ELECTRONICALLY REPRODUCED BY THE HVAC FAN MOTOR NAMEPLATE SYSTEM.

UNLESS OTHERWISE SPECIFIED:

DIMENSIONS ARE IN INCHES
TOLERANCES ON:
C PL. DECIMALS ±
D PL. DECIMALS ±
ANGLES ±
RADIUS ±

MATERIAL:

APPLIC PRACTICES:

SIGNATURES

DATE

DRAWN

FA ROSS

1959

CHECKED

ENGRG

ISSUED

CAD NO



GE Motors

Fort Wayne, Indiana

NAMEPLATE LABEL

SIZE
A

FSCM NO

DWG NO

NP 219524

SCALE 3

SHEET 1 OF 1

F39:XPB

DISTR TO