

PRODUCT INFORMATION PACKET



Model No: 3205

Catalog No: 3205

Condenser Fan Motor, 1/3 HP, 1 Ph, 60 Hz, 208-230 V, 825 RPM, 1 Speed, 48 Frame, CLOSED AO



Regal and Genteq are trademarks of Regal Rexnord Corporation or one of its affiliated companies.
©2025 Regal Rexnord Corporation, All Rights Reserved. MC017097E





Nameplate Specifications

Phase	1	Output HP	1/3 Hp
Output KW	0.25 kW	Voltage	208-230 V
Speed	825 rpm	Service Factor	1
Frame	48	Enclosure	Totally Enclosed Air Over
Thermal Protection	Thermally Protected	Ambient Temperature	40 °C
Frequency	60 Hz	Current	1.90 A
Duty	Continuous Air Over	Insulation Class	B
UL	Recognized	CSA	Y
CE	N	Number of Speeds	1

Technical Specifications

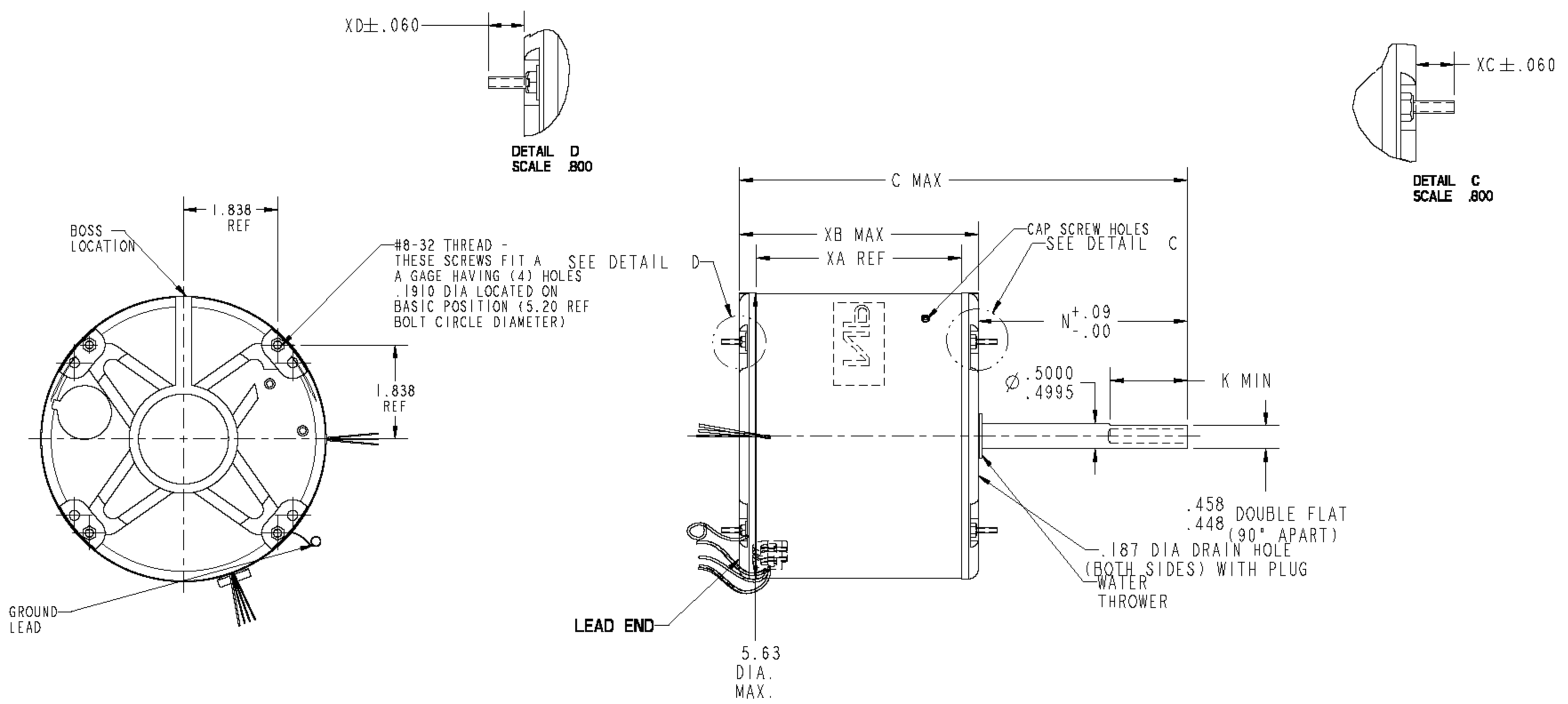
Electrical Type	Permanent Split Capacitor	Poles	8
Rotation	Counterclockwise/Clockwise	Mounting	Extended Studs
Motor Orientation	Any	Drive End Bearing	Ball
Opp Drive End Bearing	Ball	Frame Material	Rolled Steel
Shaft Type	Double Flat	Overall Length	11.81 in
Frame Length	5.07 in	Shaft Diameter	0.500 in
Shaft Extension	6.00 in		
Connection Drawing	NP24X327691	Outline Drawing	5KCP39NFBA52S

This is an uncontrolled document once printed or downloaded and is subject to change without notice. Date Created:02/10/2025

VENTILATION SYSTEM	
SHELL VENTS	CLOSED
ENDSHIELD (OPP. LEAD END)	CLOSED
ENDSHIELD (LEAD END)	CLOSED

RBC PROPRIETARY AND CONFIDENTIAL INFORMATION
 This document is the property of REGAL BELOIT CORPORATION ("RBC") including its subsidiaries and divisions and contains proprietary information of RBC. This document is loaned on the express condition that neither it nor the information contained therein shall be disclosed to others without the express written consent of RBC, and that the information shall be used by the recipient only as approved expressly by RBC. This document shall be returned to RBC upon its request. This document may be subject to certain restrictions under U.S. export control laws and regulations.

REVISIONS			
REV.	DESCRIPTION	DATE	APPROVED
2	STOCK NO ADDED	05/23/07	JS
3	REVERSIBLE LEAD LENGTH REDUCED PER IS:07-1903	08/30/07	S.KARTHIK



NOTE:
 1. DIMENSIONS SHOWN ARE NOMINAL UNLESS OTHERWISE SPECIFIED.

							.75	.75
							XC	XD
11.81	6.00	5.50	N/A	N/A	N/A	5.07	5.73	
C	N	K	XN	XK	LM	XA	XB	

SND	CONNECTION	COLOR	EXIT TYPE	EXIT LOC (IN/OUT) LE	GAGE	MATERIAL	WALL THK	LENGTH	TERMINATION
1	COMMON LEAD	YELLOW	4-5 LD BUSHING	3:00	18	THERMOPLASTIC	4/64	28.00	.50 BWS
2	REV LEAD	YELLOW	4-5 LD BUSHING	5:20	18	EPDM	2/64	3.00	.25 MALE ISQC
3	CAPACITOR LEAD	BRN/WHT	4-5 LD BUSHING	3:00	18	THERMOPLASTIC	4/64	28.00	.25 FGC
4	REV LEAD	ORANGE	4-5 LD BUSHING	5:20	18	EPDM	2/64	3.00	.25 MALE ISQC
5	CAPACITOR LEAD	BROWN	4-5 LD BUSHING	3:00	18	THERMOPLASTIC	4/64	28.00	.25 FGC
6	REV LEAD	BROWN	4-5 LD BUSHING	5:20	18	EPDM	2/64	3.00	.25 FISQC LO INS FORCE
7	HIGH SPEED LEAD	BLACK	4-5 LD BUSHING	3:00	18	THERMOPLASTIC	4/64	28.00	.50 BWS
8	REV LEAD	PURPLE	4-5 LD BUSHING	5:20	18	EPDM	2/64	3.00	.25 FISQC LO INS FORCE
9	GROUND	GRN-YEL	CLAMPSCREW	4:30	18	THERMOPLASTIC	2/64	12.00	#10 EYELET

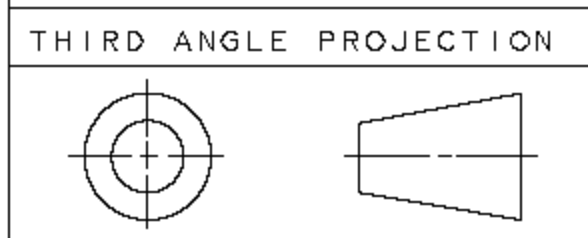
NAMEPLATE DATA	
MODEL	5KCP39NFBA52S
CUST P/N	STOCK NO. 3205
HP	1/3
RPM	825
VOLTS	208-230
HZ	60
SPEEDS	1
AMPS	1.90
CAP REQD-1	10.00µfd/370Volts
CAP REQD-2	N/R
CONN DRW#	NP24X327691
ROTATION	CCW/CW (VIEWED FROM LE)

REGAL BELOIT REGAL-BELOIT CORPORATION FORTWAYNE, INDIANA

TITLE **MOTOR OUTLINE**
(CUSTOMER NAME : DEF PUR)

SIZE B DRAWING **5KCP39NFBA52S** REV 3

SCALE: NO ISSUED: 08/30/07 SHEET 1 of 1



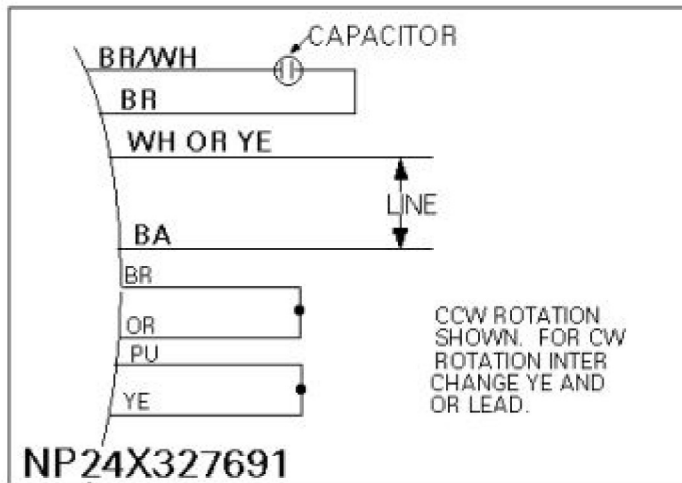
CONFIDENTIAL AND PROPRIETARY


This document is the property of General Electric Company and contains proprietary and confidential information of the Motor Business Group (MBG). The document is issued on the express conditions that neither it nor the information contained herein shall be disclosed to others without the express consent of MBG and that the information shall be used by the recipient only as approved expressly by MBG. Also, the document shall be returned to MBG upon its request.

REVISIONS

REV	DESCRIPTION
1	CAS 8/29/00 ELEC FORMAT

Uncontrolled Copy



GENERAL MOTOR BUSINESS GROUP			ELECTRIC FORT WAYNE, INDIANA	
FILE:	DPC #	NP 24X327691		
		ISSUED	CAS 4/29/94	SCALE 4/10