

# PRODUCT INFORMATION PACKET



Model No: 3205HS  
Catalog No: 3205HS

HEAT SHIELD® Condenser Fan Motor, 1/3 HP, 1 Ph, 60 Hz, 208-230 V, 825 RPM, 1 Speed, 48 Frame, TEAO



Regal and Genteq are trademarks of Regal Rexnord Corporation or one of its affiliated companies.  
©2023 Regal Rexnord Corporation, All Rights Reserved. MC017097E





### Nameplate Specifications

Output HP	1/3 Hp	Output KW	0.25 kW
Frequency	60 Hz	Voltage	208-230 V
Current	1.80 A	Speed	825 rpm
Service Factor	1	Phase	1
Duty	Continuous Air Over	Insulation Class	B
Frame	48	Enclosure	Totally Enclosed Air Over
Thermal Protection	Thermally Protected	Ambient Temperature	70 °C
UL	Recognized	CSA	Y
CE	N	Number of Speeds	1

### Technical Specifications

Electrical Type	Permanent Split Capacitor	Poles	8
Rotation	Reversible	Mounting	Round Belly Band
Motor Orientation	Any	Drive End Bearing	Ball
Opp Drive End Bearing	Ball	Frame Material	Rolled Steel
Shaft Type	Double Flat	Overall Length	12.46 in
Frame Length	4.82 in	Shaft Diameter	0.500 in
Shaft Extension	6.50 in	Thru-bolts Extension	1 in
Outline Drawing	5KCP39NFBA82S	Connection Drawing	NP24X327691

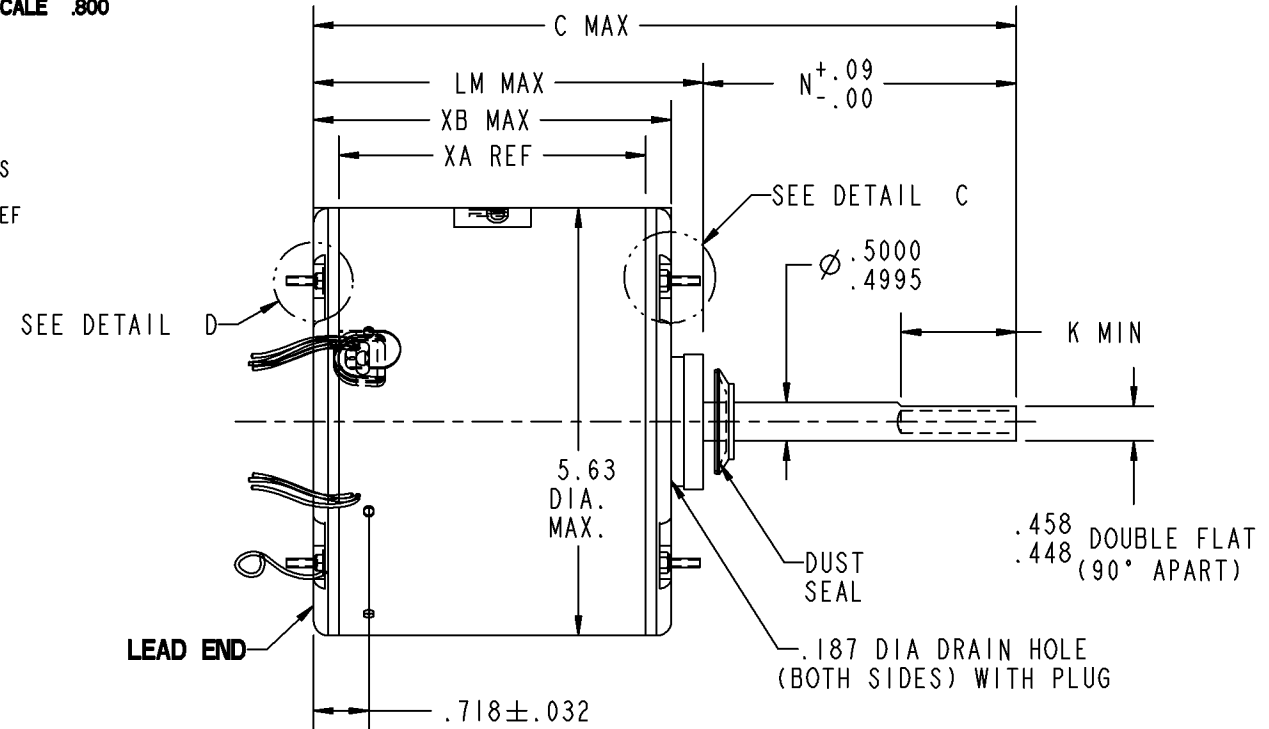
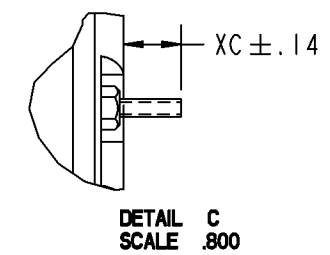
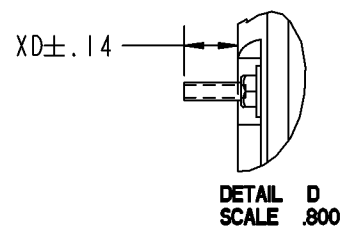
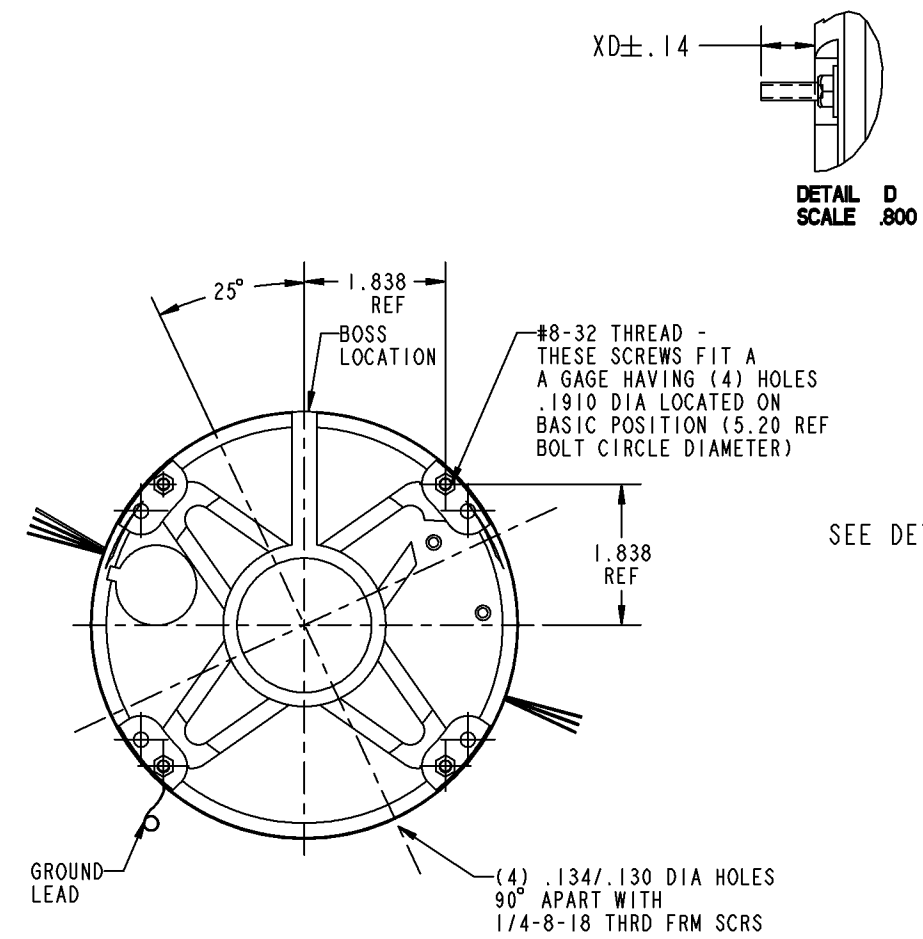
This is an uncontrolled document once printed or downloaded and is subject to change without notice. Date Created:02/17/2023

NAME: 100003107 OBJECT: 5KCP39NFBA82S DATE: 23-Jan-08 15:59:08

VENTILATION SYSTEM	
SHELL VENTS	CLOSED
ENDSHIELD (OPP. LEAD END)	CLOSED
ENDSHIELD (LEAD END)	CLOSED

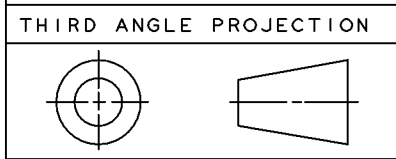
RBC PROPRIETARY AND CONFIDENTIAL INFORMATION  
 This document is the property of REGAL BELOIT CORPORATION ("RBC") including its subsidiaries and divisions and contains proprietary information of RBC. This document is loaned on the express condition that neither it nor the information contained therein shall be disclosed to others without the express written consent of RBC, and that the information shall be used by the recipient only as approved expressly by RBC. This document shall be returned to RBC upon its request. This document may be subject to certain restrictions under U.S. export control laws and regulations.

REVISIONS			
REV.	DESCRIPTION	DATE	APPROVED
I	RELEASED TO PROD PER IS:08-0085	1/23/08	S.KARTHIK



NOTE:  
 1. DIMENSIONS SHOWN ARE NOMINAL UNLESS OTHERWISE SPECIFIED.

	1.00	.75					
	XC	XD					
12.46	6.50	5.50	N/A	N/A	5.89	4.82	5.48
C	N	K	XN	XK	LM	XA	XB



SNO	CONNECTION	COLOR	EXIT TYPE	EXIT LOC (MEAS LE)	GAGE	MATERIAL	WALL THK	LENGTH	TERMINATION
1	COMMON LEAD	YELLOW	4-5 LD BUSHING	3:40	18	THERMOPLASTIC	4/64	48.00	.50 BWS
2	REV LEAD	YELLOW	2-3 LD BUSHING	9:40	18	VULKENE	2/64	4.00	MALE REVERSING PLUG
3	CAPACITOR LEAD	BRN/WHT	4-5 LD BUSHING	3:40	18	THERMOPLASTIC	4/64	48.00	.25 FQC
4	REV LEAD	ORANGE	2-3 LD BUSHING	9:40	18	VULKENE	2/64	4.00	MALE REVERSING PLUG
5	CAPACITOR LEAD	BROWN	4-5 LD BUSHING	3:40	18	THERMOPLASTIC	4/64	48.00	.25 FQC
6	REV LEAD	BROWN	2-3 LD BUSHING	9:40	18	VULKENE	2/64	4.00	FEMALE REVERSING PLUG
7	HIGH SPEED LEAD	BLACK	4-5 LD BUSHING	3:40	18	THERMOPLASTIC	4/64	48.00	.50 BWS
8	REV LEAD	PURPLE	2-3 LD BUSHING	9:40	18	VULKENE	2/64	4.00	FEMALE REVERSING PLUG
9	GROUND	GRN-YEL	CLAMPSCREW	7:30	18	THERMOPLASTIC	2/64	12.00	#10 EYELET

NAMEPLATE DATA	
MODEL	5KCP39NFBA82S
CUST P/N	STOCK NO 3205HS
HP	1/3
RPM	825
VOLTS	208-230
HZ	60
SPEEDS	1
AMPS	1.80
CAP REQD-1	10.00µfd/370Volts
CAP REQD-2	N/R
CONN DRW#	NP24X327691
ROTATION	CCW/CW (VIEWED FROM LE)

REGAL BELOIT CORPORATION  
 FORTWAYNE, INDIANA

TITLE **MOTOR OUTLINE**  
 (CUSTOMER NAME : DEF PUR)

SIZE DRAWING **5KCP39NFBA82S** REV **1**

SCALE: NO ISSUED: 1/23/08 SHEET 1 of 1

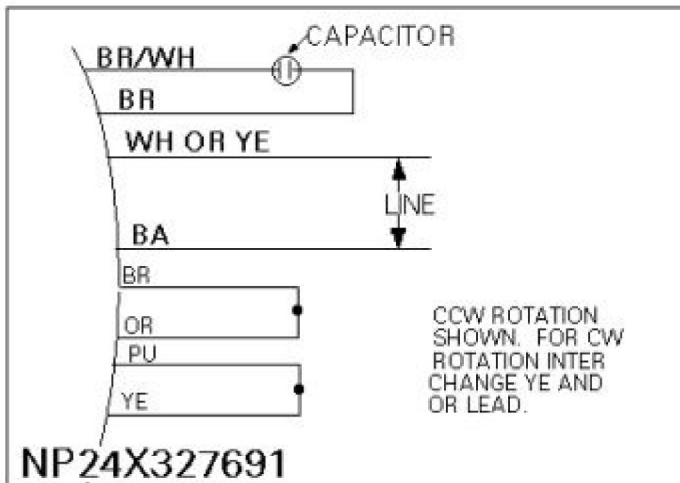
**CONFIDENTIAL AND PROPRIETARY**

This document is the property of General Electric Company and contains proprietary and confidential information of the Motor Business Group (MBG). The document is issued on the express conditions that neither it nor the information contained herein shall be disclosed to others without the express consent of MBG and that the information shall be used by the recipient only as approved expressly by MBG. Also, the document shall be returned to MBG upon its request.

**REVISIONS**

REV	DESCRIPTION
1	CAS 8/29/00 ELEC FORMAT

Uncontrolled Copy



GENERAL				ELECTRIC	
MOTOR BUSINESS GROUP		FORT WAYNE, INDIANA			
FILE:	DPC #	NP 24X327691		ISSUED	CAS 4/29/94
				SCALE	4/10