

# PRODUCT INFORMATION PACKET



Model No: 3209

Catalog No: 3209

Condenser Fan Motor, 1/3 HP, 1 Ph, 60 Hz, 460 V, 825 RPM, 1 Speed, 48 Frame, TEAO



Regal and Genteq are trademarks of Regal Rexnord Corporation or one of its affiliated companies.

©2023 Regal Rexnord Corporation, All Rights Reserved. MC017097E





**Nameplate Specifications**

Output HP	1/3 Hp	Frequency	60 Hz
Voltage	460 V	Current	1.10 A
Speed	825 rpm	Service Factor	1
Phase	1	Duty	Continuous Air Over
Insulation Class	B	Frame	48
Enclosure	Totally Enclosed Air Over	Thermal Protection	Thermally Protected
Ambient Temperature	40 °C	UL	Recognized
CSA	Y	CE	N
Number of Speeds	1		

**Technical Specifications**

Electrical Type	Permanent Split Capacitor	Poles	8
Rotation	Reversible	Mounting	Extended Studs
Motor Orientation	Any	Drive End Bearing	Ball
Opp Drive End Bearing	Ball	Frame Material	Rolled Steel
Shaft Type	Double Flat	Overall Length	11.71 in
Frame Length	4.57 in	Shaft Diameter	0.500 in
Shaft Extension	6.00 in	Thru-bolts Extension	0.75 in
Outline Drawing	5KCP39NFBA76S	Connection Drawing	NP24X327691

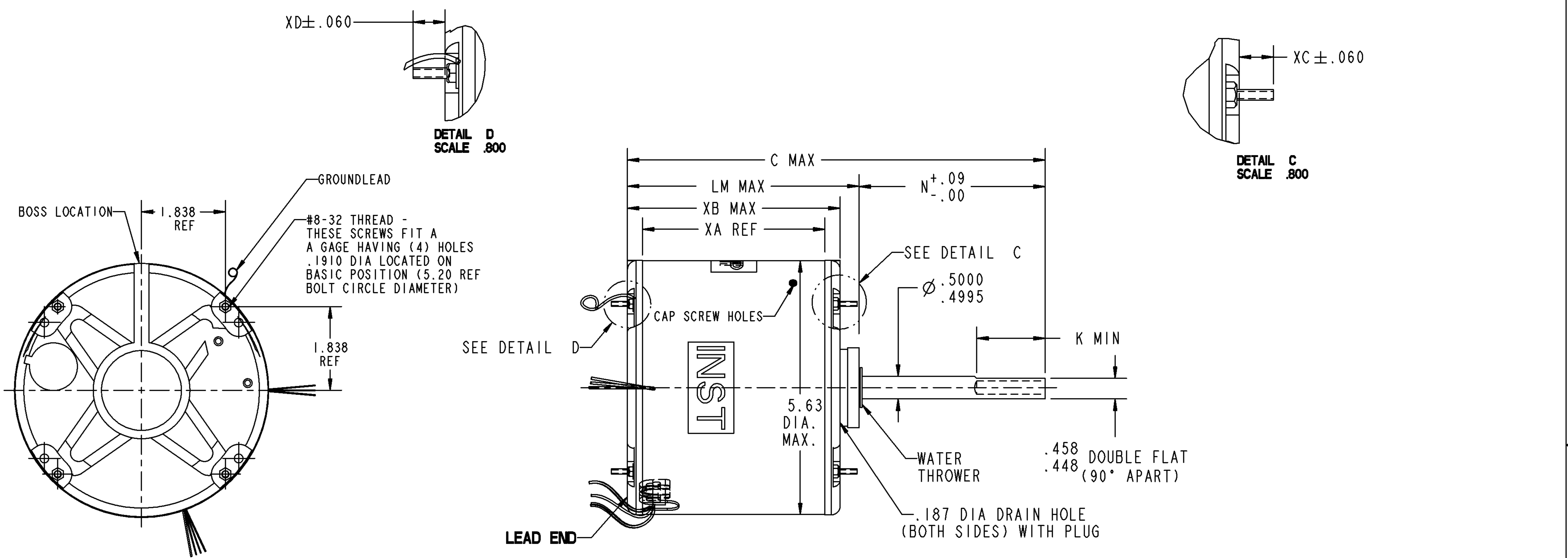
This is an uncontrolled document once printed or downloaded and is subject to change without notice. Date Created:02/17/2023

NAME: 100003107 OBJECT: 5KCP39NFBA76S DATE: 21-Aug-07 12:58:58

VENTILATION SYSTEM	
SHELL VENTS	CLOSED
ENDSHIELD (OPP. LEAD END)	CLOSED
ENDSHIELD (LEAD END)	CLOSED

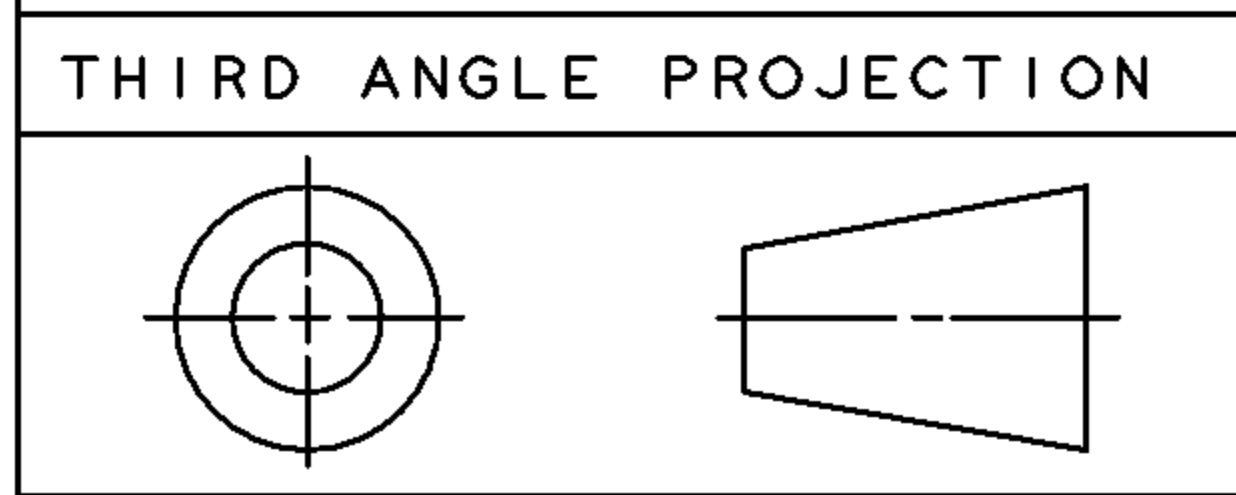
RBC PROPRIETARY AND CONFIDENTIAL INFORMATION  
 This document is the property of REGAL BELOIT CORPORATION ("RBC") including its subsidiaries and divisions and contains proprietary information of RBC. This document is loaned on the express condition that neither it nor the information contained therein shall be disclosed to others without the express written consent of RBC, and that the information shall be used by the recipient only as approved expressly by RBC. This document shall be returned to RBC upon its request. This document may be subject to certain restrictions under U.S. export control laws and regulations.

REVISIONS			
REV.	DESCRIPTION	DATE	APPROVED
1	RELEASED TO PROD IS:07-1697	8/21/07	S.KARTHIK
2	REVERSIBLE LEAD LENGTH REDUCED PER IS:07-1903	08/30/07	S.KARTHIK



NOTE:  
 1. DIMENSIONS SHOWN ARE NOMINAL UNLESS OTHERWISE SPECIFIED.

							.75	.75
							XC	XD
11.71	6.00	5.00	N/A	N/A	5.64	4.57	5.23	
C	N	K	XN	XK	LM	XA	XB	



SNO	CONNECTION	COLOR	EXIT TYPE	EXIT LOC (VIEWING LE)	GAGE	MATERIAL	WALL THK	LENGTH	TERMINATION
1	COMMON LEAD	WHITE	4-5 LD BUSHING	3:00	18	THERMOPLASTIC	4/64	36.00	.25 SGC
2	REV LEAD	YELLOW	4-5 LD BUSHING	5:20	18	EPDM	2/64	3:00	.25 MALE ISQC
3	CAPACITOR LEAD	BRN/WHT	4-5 LD BUSHING	3:00	18	THERMOPLASTIC	4/64	36.00	.25 SGC
4	REV LEAD	ORANGE	4-5 LD BUSHING	5:20	18	EPDM	2/64	3:00	.25 MALE ISQC
5	CAPACITOR LEAD	BROWN	4-5 LD BUSHING	3:00	18	THERMOPLASTIC	4/64	36.00	.25 SGC
6	REV LEAD	BROWN	4-5 LD BUSHING	5:20	18	EPDM	2/64	3:00	.25 FISQC LO INS FORCE
7	HIGH SPEED LEAD	BLACK	4-5 LD BUSHING	3:00	18	THERMOPLASTIC	4/64	36.00	.25 SGC
8	REV LEAD	PURPLE	4-5 LD BUSHING	5:20	18	EPDM	2/64	3:00	.25 FISQC LO INS FORCE
9	GROUND	GRN-YEL	CLAMPSCREW	1:30	18	THERMOPLASTIC	2/64	6.00	#10 EYELET

NAMEPLATE DATA	
MODEL	5KCP39NFBA76S
CUST P/N	STOCK NO 3209
HP	1/3
RPM	825
VOLTS	460
HZ	60
SPEEDS	1
AMPS	1.10
CAP REQD-1	10.00µfd/370Volts
CAP REQD-2	N/R
CONN. DRW*	NP24X327691
ROTATION	CCW/CW (VIEWED FROM LE)

**REGAL BELOIT** REGAL-BELOIT CORPORATION FORTWAYNE, INDIANA

TITLE **MOTOR OUTLINE**  
( CUSTOMER NAME : DEF PUR )

SIZE B DRAWING **5KCP39NFBA76S** REV 2

SCALE: NO ISSUED: 08/30/07 SHEET 1 of 1

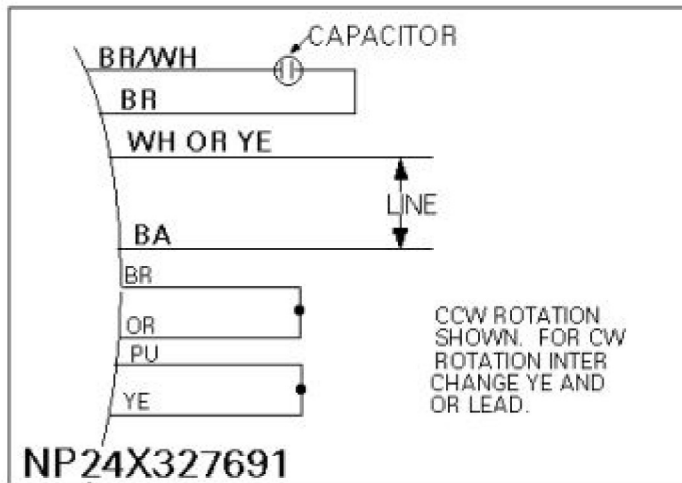
**CONFIDENTIAL AND PROPRIETARY**

This document is the property of General Electric Company and contains proprietary and confidential information of the Motor Business Group (MBG). The document is issued on the express conditions that neither it nor the information contained herein shall be disclosed to others without the express consent of MBG and that the information shall be used by the recipient only as approved expressly by MBG. Also, the document shall be returned to MBG upon its request.

**REVISIONS**

REV	DESCRIPTION
1	CAS 8/29/00 ELEC FORMAT

Uncontrolled Copy



GENERAL ELECTRIC	
MOTOR BUSINESS GROUP	FORT WAYNE, INDIANA
FILE: _____ DPC # _____ <b>NP 24X327691</b>	
ISSUED	SCALE
<b>CAS 4/29/94</b>	<b>4</b>