

PRODUCT INFORMATION PACKET



Model No: 3228

Catalog No: 3228

Condenser Fan Motor, 1/4 HP, 1 Ph, 60 Hz, 208-230 V, 1075 RPM, 2 Speed, 48 Frame, CLOSED AO



Regal and Genteq are trademarks of Regal Rexnord Corporation or one of its affiliated companies.
©2026 Regal Rexnord Corporation, All Rights Reserved. MC017097E





Nameplate Specifications

Phase	1	Output HP	1/4 Hp
Voltage	208-230 V	Speed	1075 rpm
Service Factor	1	Frame	48
Enclosure	Totally Enclosed Air Over	Thermal Protection	Thermally Protected
Ambient Temperature	40 °C	Frequency	60 Hz
Current	1.60 A	Duty	Continuous Air Over
Insulation Class	B	UL	Recognized
CSA	Y	CE	N
Number of Speeds	2		

Technical Specifications

Electrical Type	Permanent Split Capacitor	Poles	6
Rotation	Counterclockwise/Clockwise	Mounting	Extended Studs
Motor Orientation	Vsd	Drive End Bearing	Sleeve
Opp Drive End Bearing	Sleeve	Frame Material	Rolled Steel
Shaft Type	Double Flat	Overall Length	10.95 in
Frame Length	3.82 in	Shaft Diameter	0.500 in
Shaft Extension	6.00 in		
Connection Drawing	NP24X327715	Outline Drawing	5KCP39HGG402ES

This is an uncontrolled document once printed or downloaded and is subject to change without notice. Date Created:01/07/2026

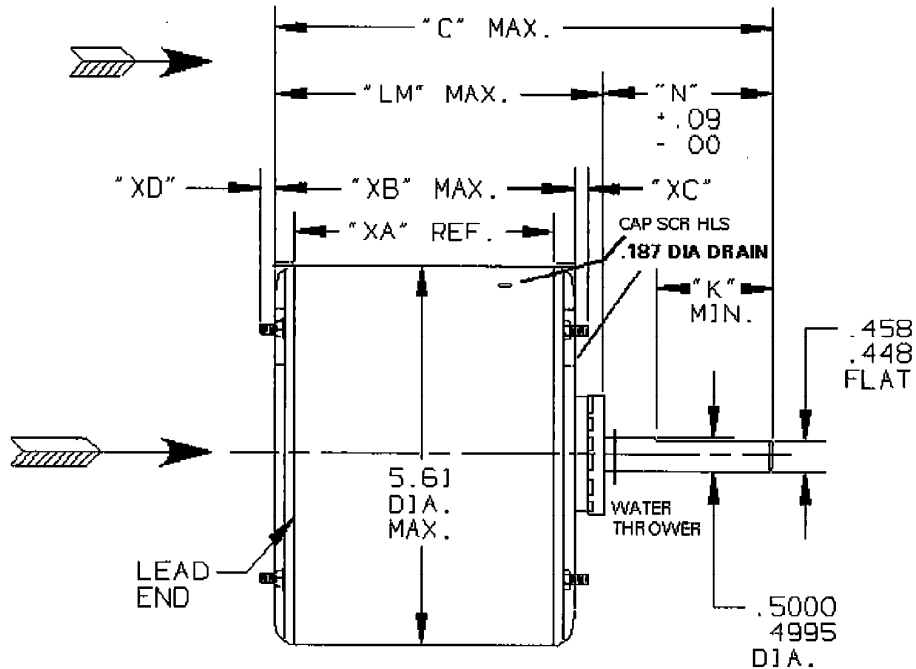
CONFIDENTIAL AND PROPRIETARY

This document is the property of General Electric Company and contains proprietary and confidential information of the Motor Business Group (MBG). The document is loaned on the express condition that neither it nor the information contained therein shall be disclosed to others without the express consent of MBG and that the information shall be used by the recipient only as approved expressly by MBG. Also, the document shall be returned to MBG upon its request.

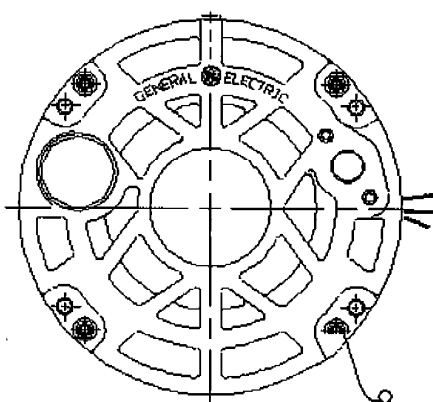
STOCK

REVISIONS

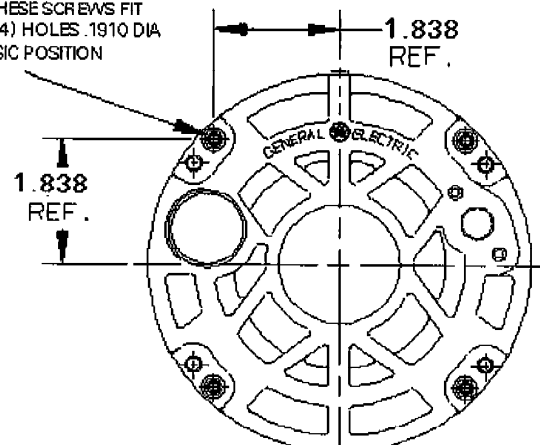
REV	DESCRIPTION
1	CAS 1/9/01 ELEC FORMAT



#8-32 THREAD- THESE SCREWS FIT A GAGE HAVING (4) HOLES .1910 DIA LOCATED ON BASIC POSITION



Additional details (Viewing Lead end)



CLAMPSCREW POSITION WHEN "XC" OR "XD" EXCEED .14" IF "XC" OR "XD" = .14, IT IS A MAX DIM, BUT IF GREATER THAN A .14, VALUE GMEN S-.00+.14. IF EXTRA NUTS ARE FURNISHED FOR SPACING, DIMENSION IS FROM NUT NEXT TO END SHIELD.

11.96	6.00	5.50	4.89	3.82	4.48	.75	.50
"C"	"N"	"K"	"LM"	"XA"	"XB"	"XC"	"XD"

Rotation CCW/CW viewed in direction of arrow.

Ventilation System:

Shell vents - CLOSED

End shield (opp. lead end) - CLOSED

End shield (lead end) - CLOSED

Leads exit thru SHELL 90 degrees CW from top of motor viewed in direction of arrow.

GENERAL  ELECTRIC
MOTOR BUSINESS GROUP FORT WAYNE, INDIANA

MOTOR OUTLINE

MODEL	ISSUED	SCALE
5KCP39HGG402 ES	CAS 4/18/95	NO

MODEL

CAD. NO. FH1N

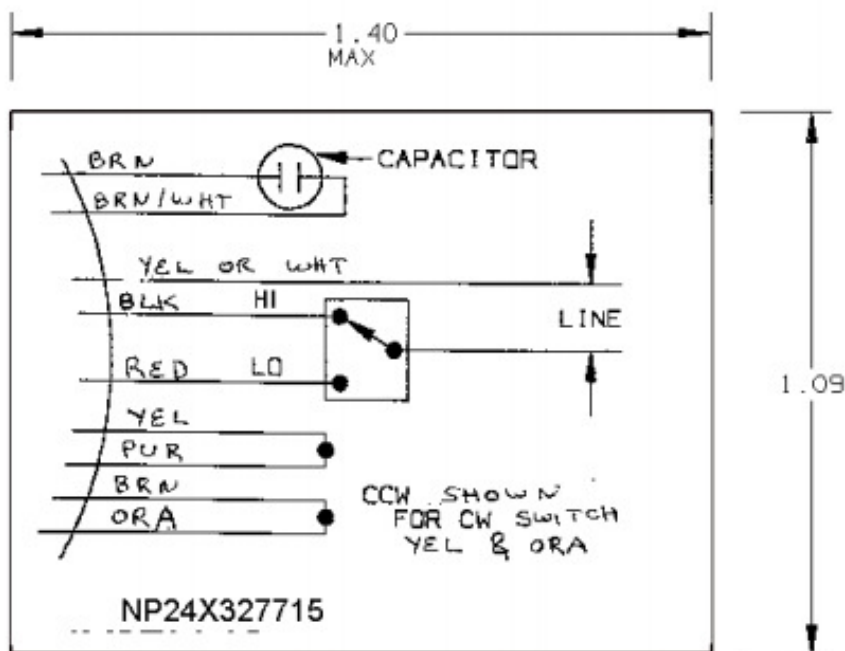
CAD. NO. FH1N

REGAL PROPRIETARY STATEMENT

This document is the property of REGAL-BELOIT Corporation ("RBC") including its subsidiaries and divisions and contains proprietary information of RBC. This document is loaned on the express condition that neither it nor the information contained therein shall be disclosed to others without the express written consent of RBC, and that the information shall be used by the recipient only as approved expressly by RBC. This document shall be returned to RBC upon its request. This document may be subject to certain restrictions under the U.S. export control law and regulations.

REVISIONS

REV	DESCRIPTION
1	Convert to RBC Format JAR 10 2005




TYPE FACE: COLORS OR NUMBERS DENOTING LEAD IDENTIFICATION AND N.P. NUMBER ARE TO BE 18 POINT NEWS GOTHIC CONDENSED. OTHER INFORMATION SHOULD BE 18 POINT IF SPACE ALLOWS, OTHERWISE USE 14 POINT.

MATERIALS: 4 MIL WHITE VINYL ADHESIVE STOCK GE SPEC A50FG41-S1

BLACK INK GE SPEC A50FM48

NOTE: THE BOX LINES AND DIMENSIONS REPRESENT THE SIZE OF THE TAPE TO BE USED. DO NOT INCLUDE THESE IN STAMP FORMAT.

 REGAL-BELOIT CORPORATION		
CONNECTION DIAGRAM		
FILE: _____ DPC #: _____	NP24X327715	ISSUED CAS 11/94
		SCALE NO