

PRODUCT INFORMATION PACKET

Model No: 3252

Catalog No: 3252

Fan and Blower Motor, 1/6 HP, 1 Ph, 60 Hz, 208-230 V, 1075 RPM, 1 Speed, 48 Frame, OAO



Regal and are trademarks of Regal Rexnord Corporation or one of its affiliated companies.
©2022 Regal Rexnord Corporation, All Rights Reserved. MC017097E

Nameplate Specifications

Output HP	1/6 Hp	Frequency	60 Hz
Voltage	208-230 V	Current	0.90 A
Speed	1075 rpm	Service Factor	1
Phase	1	Duty	Continuous Air Over
Insulation Class	B	Frame	48
Enclosure	Open Air Over	Thermal Protection	Thermally Protected
Ambient Temperature	40 °C	UL	Recognized
CSA	Y	CE	N
Number of Speeds	1		

Technical Specifications

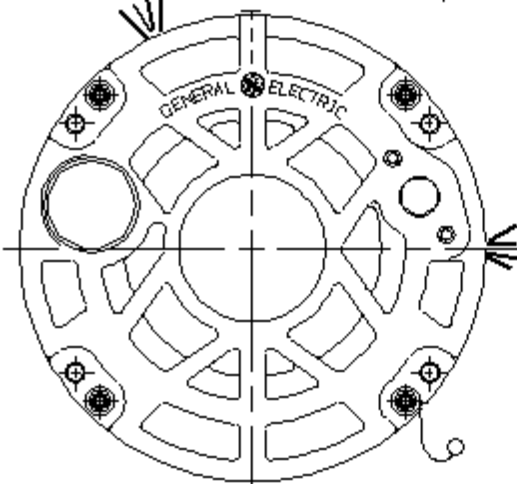
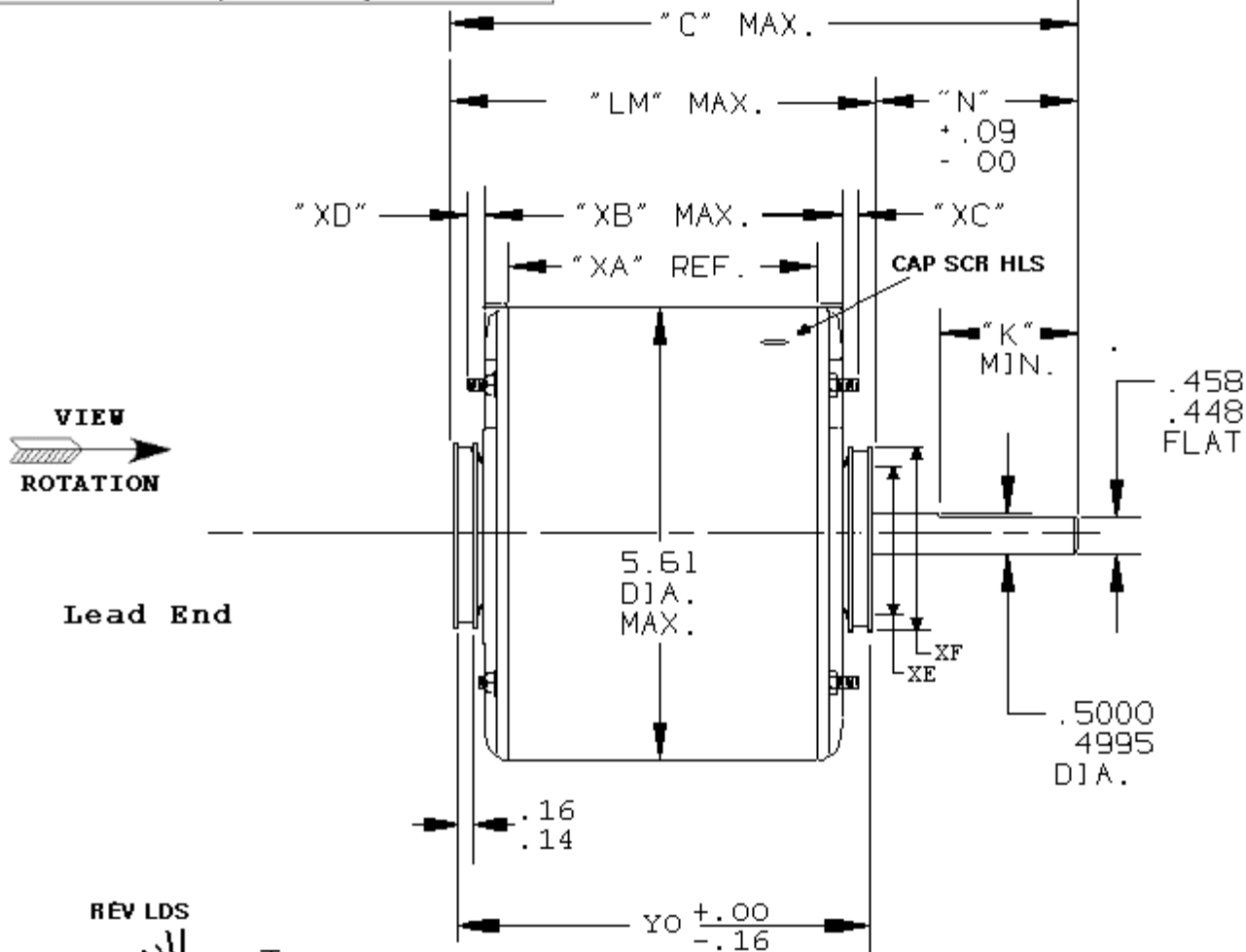
Electrical Type	Permanent Split Capacitor	Poles	6
Rotation	Reversible	Mounting	Resilient Rings
Motor Orientation	Any	Drive End Bearing	Sleeve
Opp Drive End Bearing	Sleeve	Frame Material	Rolled Steel
Shaft Type	Flat	Overall Length	8.64 in
Frame Length	3.07 in	Shaft Diameter	0.500 in
Shaft Extension	4.00 in		
Outline Drawing	5KCP39CGV220S	Connection Drawing	NP24X327691

This is an uncontrolled document once printed or downloaded and is subject to change without notice. Date Created:09/15/2022

RBC PROPRIETARY AND CONFIDENTIAL INFORMATION
 This document is the property of REGAL-BELOIT CORPORATION ("RBC") including its subsidiaries and divisions and contains proprietary information of RBC. This document is loaned on the express condition that neither it nor the information contained there in shall be disclosed to others without the express written consent of RBC and that the information shall be used by the recipient only as approved expressly by RBC. This document shall be returned to RBC upon its request. This document may be subject to certain restrictions under the U.S. export control laws and regulations.

STOCK NO 3252

REVISIONS	
REV	DESCRIPTION
1	CAS 01/09/01 REMOVE OILERS
2	Modified as per CR #05-1777 NP 08/24/05
3	Incremented Rev Due To Novmanage Issue 10/21/05



Additional details
(Viewing Lead end)

8.64	4.00	3.60	4.59	4.39	3.07	3.73	.14	-	2.22	2.25
C	N	K	LM	YO	XA	XB	XC	XD	XE	XF

Rotation ~~CCW~~/CW viewed in direction of arrow.
Ventilation System:
 Shell vents - OPEN
 End shield (opp. lead end) - OPEN
 End shield (lead end) - OPEN
 Leads exit thru SHELL 90 degrees CW from top of motor viewed in direction of arrow.



REGAL-BELOIT CORPORATION
 FORT WAYNE, INDIANA

MOTOR OUTLINE

MODEL	ISSUED	SCALE
5KCP39CGV220 S	11/17/99	NO

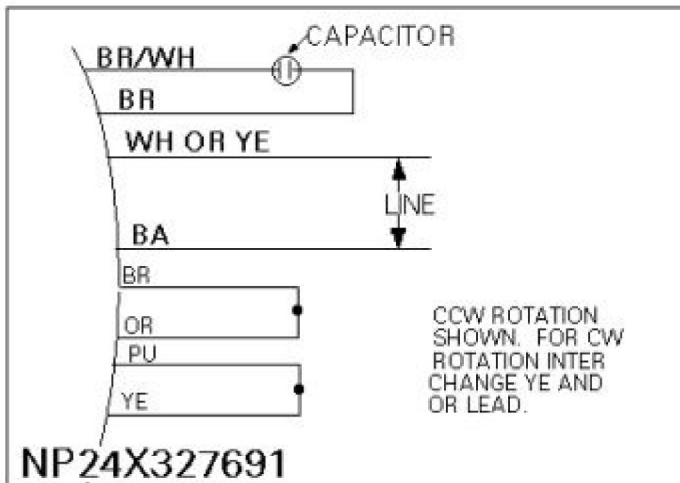
CONFIDENTIAL AND PROPRIETARY

This document is the property of General Electric Company and contains proprietary and confidential information of the Motor Business Group (MBG). The document is issued on the express conditions that neither it nor the information contained herein shall be disclosed to others without the express consent of MBG and that the information shall be used by the recipient only as approved expressly by MBG. Also, the document shall be returned to MBG upon its request.

REVISIONS

REV	DESCRIPTION
1	CAS 8/29/00 ELEC FORMAT

Uncontrolled Copy



GENERAL				ELECTRIC	
MOTOR BUSINESS GROUP		FORT WAYNE, INDIANA			
FILE:	DPC #	NP 24X327691		ISSUED	CAS 4/29/94
				SCALE	No