

PRODUCT INFORMATION PACKET



Model No: 3282
Catalog No: 3282
1/3 HP Fan & Blower Motor, 1075 RPM, 208-230 Volts, 48 Frame, OAO
Fan and Blower Motors



Regal and Genteq are trademarks of Regal Rexnord Corporation or one of its affiliated companies.
©2021 Regal Rexnord Corporation, All Rights Reserved. MC017097E





Nameplate Specifications

Output HP	1/3 Hp	Frequency	60 Hz
Voltage	208-230 V	Current	2.40 A
Speed	1075 rpm	Service Factor	1
Phase	1	Duty	Continuous Air Over
Insulation Class	B	Frame	48
Enclosure	Open Air Over	Thermal Protection	Thermally Protected
Ambient Temperature	40 °C	UL	Recognized
CSA	Y	CE	N
Number of Speeds	1		

Technical Specifications

Electrical Type	Permanent Split Capacitor	Poles	6
Rotation	Reversible	Mounting	Resilient Rings
Motor Orientation	Any	Drive End Bearing	Sleeve
Opp Drive End Bearing	Sleeve	Frame Material	Rolled Steel
Shaft Type	Flat	Overall Length	9.64 in
Frame Length	4.07 in	Shaft Diameter	0.500 in
Shaft Extension	4.00 in		
Connection Drawing	NP24X327691	Outline Drawing	5KCP39JGT947S

This is an uncontrolled document once printed or downloaded and is subject to change without notice. Date Created:10/11/2021

CONFIDENTIAL AND PROPRIETARY

This document is the property of General Electric Company and contains proprietary and confidential information of General Electric Company (GEC). The content is subject to the terms and conditions that will appear in the information control agreement which is attached to other control documents. It is to be controlled to others without the express written approval of GEC. No part of this document may be reproduced, stored in a retrieval system, or transmitted in any form or by any means, electronic, mechanical, photocopying, recording, or by any information storage and retrieval system, without the prior written permission of GEC. If you are not an authorized recipient of this document, you should not disseminate, distribute or copy it. If you have received this document by error, please notify the person whose name and address appears at the bottom of this page. This document will be returned to GEC upon its request.

STOCK NO 3282

Controlled Copy

REVISIONS

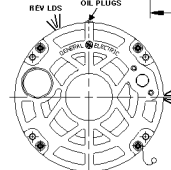
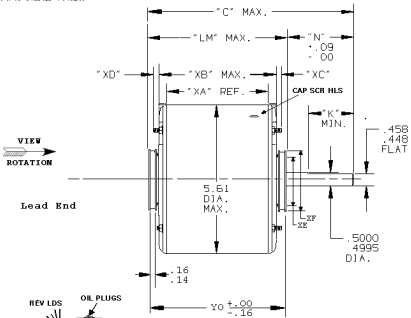
DESCRIPTION

REV

CAS 7/23/99

ISSUED FOR PROD

MODEL



Additional details
(Viewing Lead end)

9.64	4.00	3.60	5.59	5.39	4.07	4.73	.14	-	2.22	2.25
C	N	K	LM	YO	XA	XB	XC	XD	XE	XF

Rotation \curvearrowright viewed in direction of arrow.
Ventilation System:
 Shell vents - OPEN
 End shield (opp. lead end) - OPEN
 End shield (lead end) - OPEN
 Leads exit thru SHELL 90 degrees CW from top of motor viewed in direction of arrow.

GENERAL ELECTRIC
 MOTOR BUSINESS GROUP FORT WAYNE, INDIANA

MOTOR OUTLINE

MODEL 5KCP39JGT947 S ISSUED CAS 10/22/98 SCALE NO

RR 1N

RR 1N

(OLE#42)

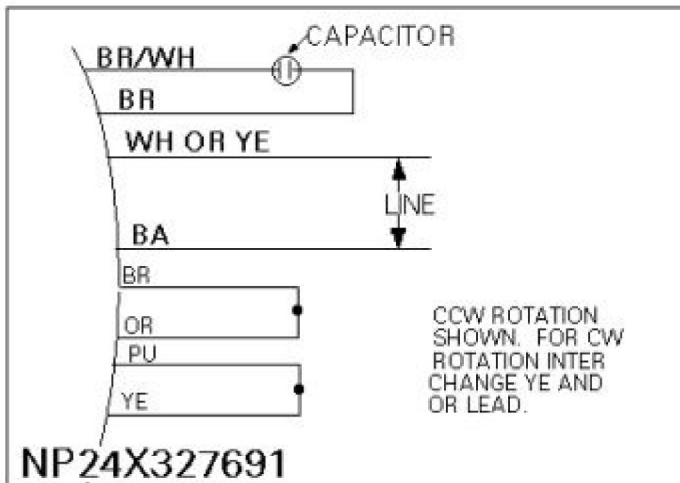
CONFIDENTIAL AND PROPRIETARY

This document is the property of General Electric Company and contains proprietary and confidential information of the Motor Business Group (MBG). The document is issued on the express conditions that neither it nor the information contained herein shall be disclosed to others without the express consent of MBG and that the information shall be used by the recipient only as approved expressly by MBG. Also, the document shall be returned to MBG upon its request.

REVISIONS

REV	DESCRIPTION
1	CAS 8/29/00 ELEC FORMAT

Uncontrolled Copy



GENERAL				ELECTRIC	
MOTOR BUSINESS GROUP		FORT WAYNE, INDIANA			
FILE:	DPC #	NP 24X327691		ISSUED	SCALE
				CAS 4/29/94	4/10