

# PRODUCT INFORMATION PACKET



Model No: 3288

Catalog No: 3288

OEM Replacement Motor, 1/2 HP, 1 Ph, 60 Hz, 200-230/460 V, 1075 RPM, 1 Speed, 48 Frame, OAO



Regal and Genteq are trademarks of Regal Rexnord Corporation or one of its affiliated companies.  
©2022 Regal Rexnord Corporation, All Rights Reserved. MC017097E





**Nameplate Specifications**

Output HP	1/2 Hp	Output KW	0.37 kW
Frequency	60 Hz	Voltage	200-230/460 V
Current	4.60/ 2.30 A	Speed	1075 rpm
Service Factor	1	Phase	1
Duty	Continuous Air Over	Insulation Class	B
Frame	48	Enclosure	Open Air Over
Thermal Protection	Thermally Protected	Ambient Temperature	40 °C
UL	Recognized	CSA	Y
CE	N	Number of Speeds	1

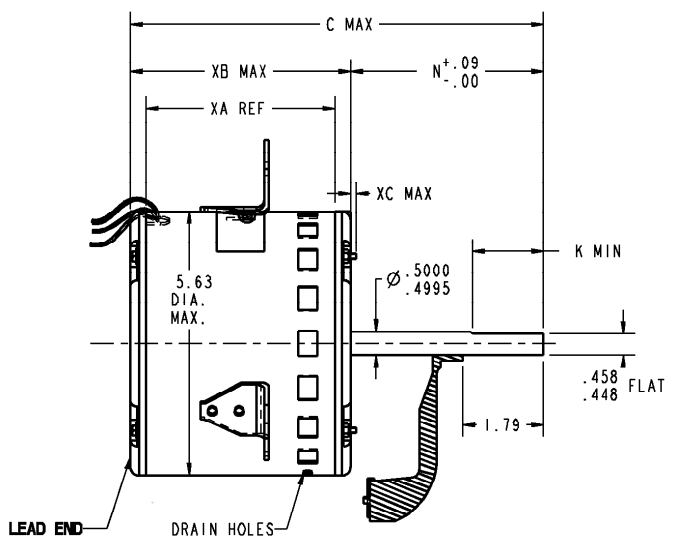
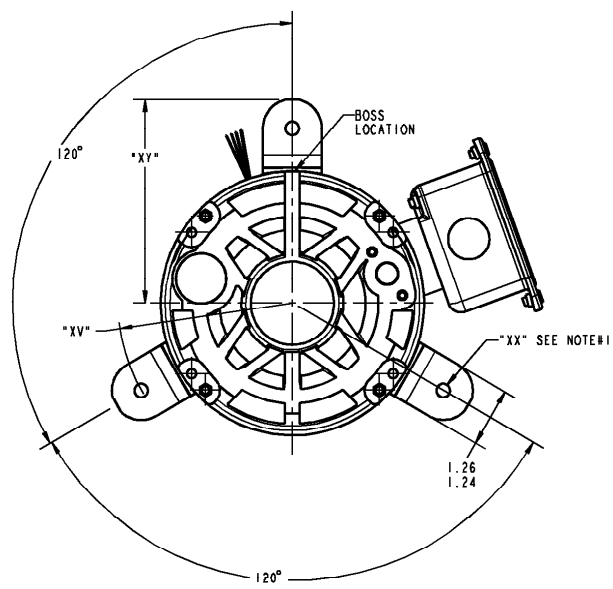
**Technical Specifications**

Electrical Type	Permanent Split Capacitor	Poles	6
Rotation	Reversible	Mounting	Lug
Motor Orientation	Vertical Shaft Up	Drive End Bearing	Ball
Opp Drive End Bearing	Ball	Frame Material	Rolled Steel
Shaft Type	Flat	Overall Length	9.56 in
Frame Length	5.82 in	Shaft Diameter	0.500 in
Shaft Extension	3.00 in		
Outline Drawing	5KCP39SGU073S	Connection Drawing	NP24X350050

This is an uncontrolled document once printed or downloaded and is subject to change without notice. Date Created:11/29/2022

NAME: 100020344 OBJECT: 5KCP39SGU073S DATE: 13-Oct-10 20:31:05

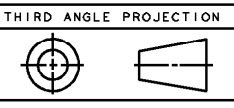
VENTILATION SYSTEM		RBC PROPRIETARY AND CONFIDENTIAL INFORMATION This document is the property of REGAL BELOIT CORPORATION ("RBC") including its subsidiaries and divisions and contains proprietary information of RBC. This document is loaned on the express condition that neither it nor the information contained therein shall be disclosed to others without the express written consent of RBC, and that the information shall be used by the recipient only as approved expressly by RBC. This document shall be returned to RBC upon its request. This document may be subject to certain restrictions under U.S. export control laws and regulations.	REVISIONS			
SHELL VENTS	OPEN OPP LD END		REV.	DESCRIPTION	DATE	APPROVED
ENDSHIELD (OPP. LEAD END)	OPEN		1	CHANGED PER IS: 07-2684	12/22/07	RAMJ
ENDSHIELD (LEAD END)	OPEN	2	CHANGED PER IS: 10-4463	PRANEETH 10/13/10	GSHONK	



NOTES:

- "XX" IS NOMINAL SIZE OF THE THREE LUG HOLES THESE HOLE FIT A GAGE HAVING THREE PINS "XX" DIA LOCATED ON THE BASIC HOLE POSITIONS.
- MAX VARIATION BETWEEN ALL LUG MOUNTING SURFACES IS .040".
- DIMENSIONS SHOWN ARE NOMINAL UNLESS/OTHERWISE SPECIFIED.

				3.50	4.32	.44	.35
				XV	XY	XX	XW
	N/A	N/A	N/A	N/A	.14	N/A	N/A
	XP	XR	XE	XF	XC	XD	YO
9.56	3.00	2.20	N/A	N/A	N/A	5.82	6.48
C	N	K	XN	XK	LM	XA	XB



SNO	CONNECTION	COLOR	WIRE TYPE	EXIT LOC (REVISED)	QTY	MATERIAL	WALL THK	LENGTH	TERMINATION	NAMEPLATE DATA	
1	COMMON LEAD	PURPLE	12 CU IN CBOX HOLE	2:20	18	EPDM	2/64	8.00	.69 BWS	MODEL	5KCP39SGU073S
2	REV LEAD	YELLOW	SHELL NOTCH	11:20	18	EPDM	2/64	3.00	.25 MALE ISOC	CUST P/N	STOCK NO 3288
3	CAPACITOR LEAD	BROWN	12 CU IN CBOX HOLE	2:20	18	EPDM	2/64	8.00	.69 BWS	HP	1/2
4	REV LEAD	ORANGE	12 CU IN CBOX HOLE	11:20	18	EPDM	2/64	3.00	.25 MALE ISOC	RPM	1075
5	CAPACITOR LEAD	BROWN	12 CU IN CBOX HOLE	2:20	18	EPDM	2/64	8.00	.69 BWS	VOLTS	200-230/460
6	REV LEAD	BROWN	SHELL NOTCH	11:20	18	EPDM	2/64	3.00	.25 FISOC LO INS FORCE	HZ	60
7	DUAL VOLTAGE LEAD	BLUE	12 CU IN CBOX HOLE	2:20	18	EPDM	2/64	8.00	.69 BWS	* SPEEDS	1
8	DUAL VOLTAGE LEAD	YELLOW	12 CU IN CBOX HOLE	2:20	18	EPDM	2/64	8.00	.69 BWS	AMPS	4.60/ 2.30
9	DUAL VOLTAGE LEAD	RED	12 CU IN CBOX HOLE	2:20	18	EPDM	2/64	8.00	.69 BWS	CAP REGD-1	7.50µfd/440Volts
10	DUAL VOLTAGE LEAD	BLACK	12 CU IN CBOX HOLE	2:20	18	EPDM	2/64	8.00	.69 BWS	CAP REGD-2	N/R
11	REV LEAD	PURPLE	SHELL NOTCH	11:20	18	EPDM	2/64	3.00	.25 FISOC LO INS FORCE	CONN. DRW	NP24X350050
										ROTATION	CCW/CW (VIEWED FROM LEAD)

**REGAL BELOIT CORPORATION**  
FORTWAYNE, INDIANA

TITLE **MOTOR OUTLINE**  
( CUSTOMER NAME : DEF PUR )

SIZE DRAWING **5KCP39SGU073S** REV **2**

SCALE: NO ISSUED: 12/22/07 SHEET 1 of 1

