

PRODUCT INFORMATION PACKET



Model No: 3388

Catalog No: 3388

Fan and Blower Motor, 1/2 HP, 1 Ph, 60 Hz, 208-230 V, 1075 RPM, 2 Speed, 48 Frame, OAO



Regal and Genteq are trademarks of Regal Rexnord Corporation or one of its affiliated companies.
©2022 Regal Rexnord Corporation, All Rights Reserved. MC017097E





Nameplate Specifications

Output HP	1/2 Hp	Output KW	0.37 kW
Frequency	60 Hz	Voltage	208-230 V
Current	4.3 A	Speed	1075 rpm
Service Factor	1	Phase	1
Duty	Continuous Air Over	Insulation Class	B
Frame	48	Enclosure	Open Air Over
Thermal Protection	Thermally Protected	Ambient Temperature	40 °C
UL	Recognized	CSA	Y
CE	N	Number of Speeds	2

Technical Specifications

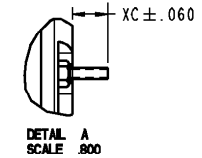
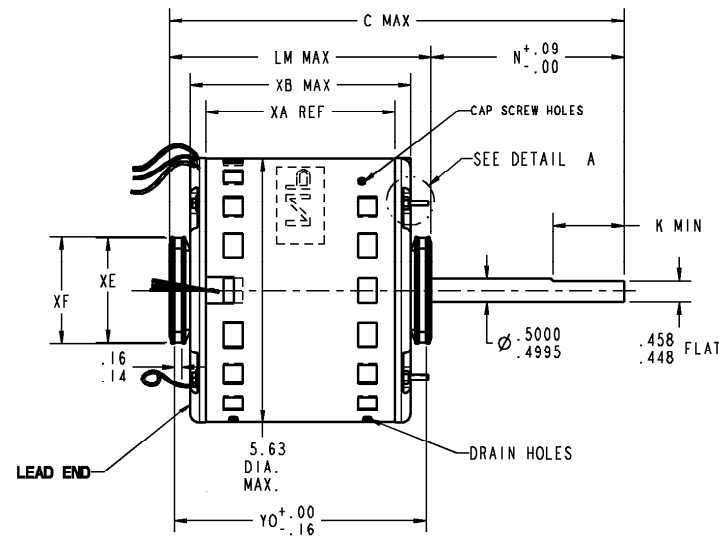
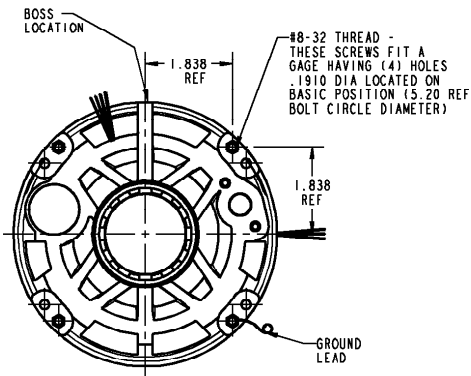
Electrical Type	Permanent Split Capacitor	Poles	6
Rotation	Reversible	Mounting	Resilient Rings
Motor Orientation	Any	Drive End Bearing	Sleeve
Opp Drive End Bearing	Sleeve	Frame Material	Rolled Steel
Shaft Type	Flat	Overall Length	10.14 in
Frame Length	4.57 in	Shaft Diameter	0.500 in
Shaft Extension	4.00 in	Thru-bolts Extension	0.58 in
Connection Drawing	NP24X327715	Outline Drawing	5KCP39MGAA08CS

This is an uncontrolled document once printed or downloaded and is subject to change without notice. Date Created:11/29/2022

VENTILATION SYSTEM	
SHELL VENTS	OPEN
ENDSHIELD (OPP. LEAD END)	OPEN
ENDSHIELD (LEAD END)	OPEN

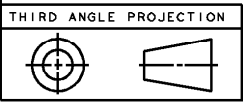
RBC PROPRIETARY AND CONFIDENTIAL INFORMATION
 This document is the property of REGAL BELOIT CORPORATION ("RBC") including its subsidiaries and divisions and contains proprietary information of RBC. This document is loaned on the express condition that neither it nor the information contained therein shall be disclosed to others without the express written consent of RBC, and that the information shall be used by the recipient only as approved expressly by RBC. This document shall be returned to RBC upon its request. This document may be subject to certain restrictions under U.S. export control laws and regulations.

REVISIONS			
REV.	DESCRIPTION	DATE	APPROVED
1	REL TO PROD PER IS:11-2171	05/26/11	PRANEETH



NOTE:
 1. DIMENSIONS SHOWN ARE NOMINAL UNLESS OTHERWISE SPECIFIED.

	2.22	2.25	.58	N/A	5.89
	XE	XF	XC	XD	YO
10.14	4.00	3.62	N/A	N/A	6.09
C	N	K	XN	XK	LM
			XA		XB



NO.	CONNECTION	COLOR	ENT TYPE	ENT LOC (INCHES)	QTY	MATERIAL	WIRE SIZE	LENGTH	TERMINATION
1	COMMON LEAD	YELLOW	SHELL NOTCH	3:00	18	THERMOPLASTIC	4/64	26.00	.50 BWS
2	REV LEAD	BROWN	E/S VENT	11:20	18	THERMOPLASTIC	4/64	4.00	.25 STRT OC/INS
3	CAPACITOR LEAD	BRN/WHI	SHELL NOTCH	3:00	18	THERMOPLASTIC	4/64	26.00	.25 STRT OC
4	REV LEAD	YELLOW	E/S VENT	11:20	18	THERMOPLASTIC	4/64	4.00	.25 STRT OC/INS
5	CAPACITOR LEAD	BROWN	SHELL NOTCH	3:00	18	THERMOPLASTIC	4/64	26.00	.25 STRT OC
6	REV LEAD	ORANGE	E/S VENT	11:20	18	THERMOPLASTIC	4/64	4.00	.25 STRT OC/INS
7	HIGH SPEED LEAD	BLACK	SHELL NOTCH	3:00	18	THERMOPLASTIC	4/64	26.00	.50 BWS
8	LOW SPEED LEAD	RED	SHELL NOTCH	3:00	18	THERMOPLASTIC	4/64	26.00	.50 BWS
9	REV LEAD	PURPLE	E/S VENT	11:20	18	THERMOPLASTIC	4/64	4.00	.25 STRT OC/INS
10	GROUND	GREEN	CLAMPSCREW	4:30	18	THERMOPLASTIC	2/64	12.0	#10 EYELET

NAMEPLATE DATA	
MODEL	5KCP39MGAA08CS
CUST P/N	STOCK NO 3388
HP	1/2
RPM	1075
VOLTS	208-230
HZ	60/50
# SPEEDS	2
AMPS	4.30
CAP REQ'D-1	5.00µfd/370Volts
CAP REQ'D-2	N/R
CONN. DRW.	NP24X327715
ROTATION	CCW/CW (VIEWED FROM LE)

REGAL-BELOIT CORPORATION
 FORTWAYNE, INDIANA

TITLE **MOTOR OUTLINE**
 (CUSTOMER NAME : DEF PUR)

SIZE B DRAWING **5KCP39MGAA08CS** REV **1**

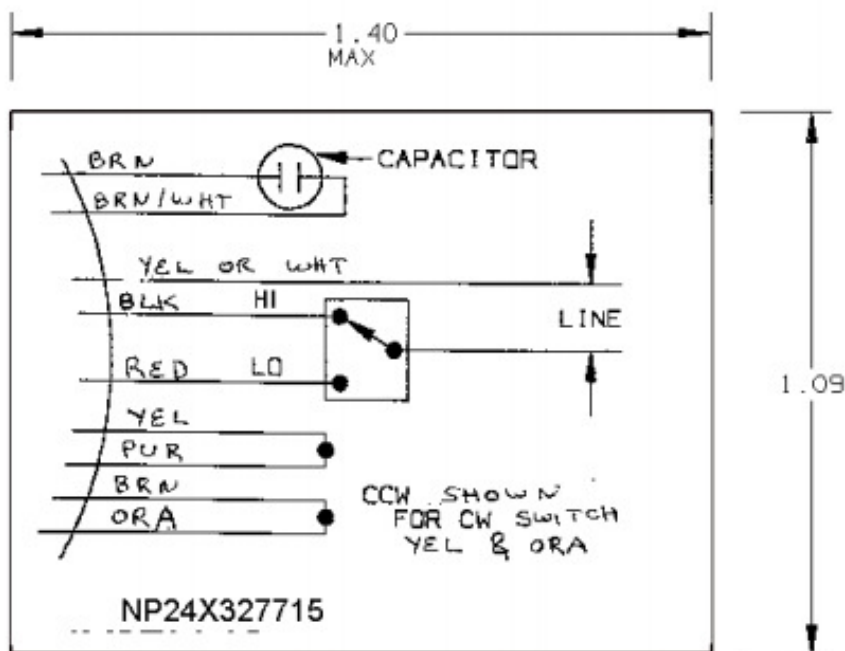
SCALE: NO ISSUED: 05/26/11 SHEET 1 of 1

REGAL PROPRIETARY STATEMENT

This document is the property of REGAL-BELOIT Corporation ("RBC") including its subsidiaries and divisions and contains proprietary information of RBC. This document is loaned on the express condition that neither it nor the information contained therein shall be disclosed to others without the express written consent of RBC, and that the information shall be used by the recipient only as approved expressly by RBC. This document shall be returned to RBC upon its request. This document may be subject to certain restrictions under the U.S. export control law and regulations.

REVISIONS

REV	DESCRIPTION
1	Convert to RBC Format JAR 10 2005




TYPE FACE: COLORS OR NUMBERS DENOTING LEAD IDENTIFICATION AND N.P. NUMBER ARE TO BE 18 POINT NEWS GOTHIC CONDENSED. OTHER INFORMATION SHOULD BE 18 POINT IF SPACE ALLOWS, OTHERWISE USE 14 POINT.

MATERIALS: 4 MIL WHITE VINYL ADHESIVE STOCK GE SPEC A50FG41-S1

BLACK INK GE SPEC A50FM48

NOTE: THE BOX LINES AND DIMENSIONS REPRESENT THE SIZE OF THE TAPE TO BE USED. DO NOT INCLUDE THESE IN STAMP FORMAT.

 REGAL-BELOIT CORPORATION				
CONNECTION DIAGRAM				
FILE:	DPC #	NP24X327715	ISSUED CAS 11/94	SCALE NO