

PRODUCT INFORMATION PACKET



Model No: 362A
Catalog No: 362A

Fan Coil & Air Conditioner Motor, 1/10-1/15-1/25-1/35 HP, 1 Ph, 60 Hz, 115 V, 1075 RPM, 4 Speed,
42 Frame, OAO



Regal and Century are trademarks of Regal Rexnord Corporation or one of its affiliated companies.
©2023 Regal Rexnord Corporation, All Rights Reserved. MC017097E





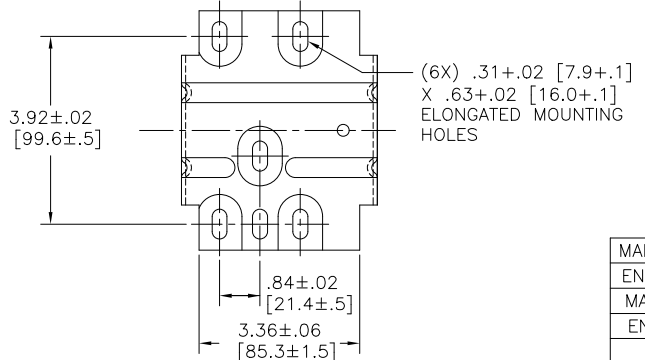
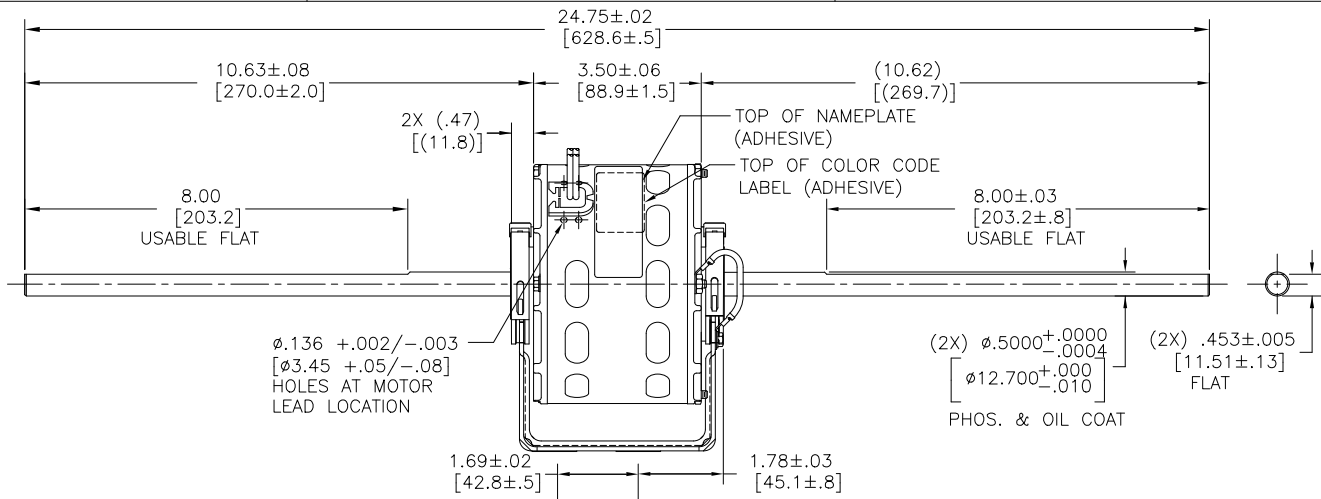
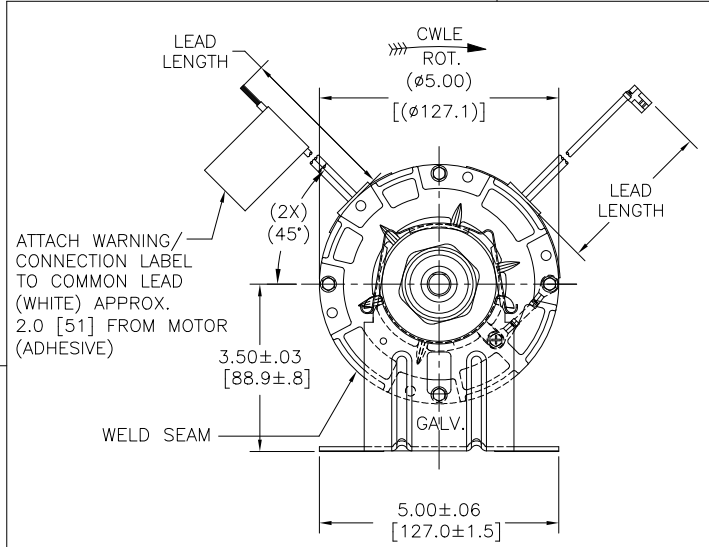
Nameplate Specifications

Phase	1	Output HP	1/10-1/15-1/25-1/35 Hp
Output KW	0.07 kW	Voltage	115 V
Speed	1075 rpm	Service Factor	1
Frame	42Y	Enclosure	Open Air Over
Thermal Protection	Thermally Protected	Ambient Temperature	40 °C
Frequency	60 Hz	Current	1.7 A
Duty	Continuous Air Over	Insulation Class	B
UL	Recognized	CSA	Y
CE	N	Number of Speeds	4

Technical Specifications

Electrical Type	Permanent Split Capacitor	Starting Method	Across The Line
Poles	6	Rotation	Clockwise Lead End
Mounting	Resilient Base	Motor Orientation	Horizontal
Drive End Bearing	Sleeve	Opp Drive End Bearing	Sleeve
Frame Material	Rolled Steel	Shaft Type	Flat
Overall Length	24.75 in	Frame Length	2.92 in
Shaft Diameter	0.500 in	Shaft Extension	10.6X.5X10.6 in
Outline Drawing	362A-S01		

This is an uncontrolled document once printed or downloaded and is subject to change without notice. Date Created:04/25/2023



GENERAL INFORMATION:

SHAFT RUNOUT: .001 [.03] T.I.R. PER INCH LENGTH OF EXTENSION

END PLAY: .005 TO .040 [.13 TO 1.02]

BEARINGS: SLEEVE

MOUNTING POSITION: HORIZONTAL

ELECTRICAL DATA:

OVERLOAD PROTECTOR: AUTOMATIC RESET (SESATA 7AM 093)

LEADS: NO. 18 GA., .03 [.8] THK. XLP 125°C INSUL.

GROUND LEAD: NO. 16 GA., .03 [.8] THK. (GREEN/YELLOW INSUL.)

MAIN FRAME - OLE	OPEN
END FRAME - OLE	OPEN
MAIN FRAME - LE	OPEN
END FRAME - LE	OPEN
ENCLOSURE	

NAMEPLATE DATA:

UNIVERSAL ELECTRIC MOTOR

ELECTRICAL PRODUCTS COMPANY TIPP CITY, OHIO THERMALLY PROTECTED

SER. DATE & PO# PLT LTR MOD DE3E657N' STK. NO. 362A

VOLTS 115 HZ 60 AMPS 1.7

RPM 1075 SP 4 PH 1 CAP 5 MFD/370 VAC

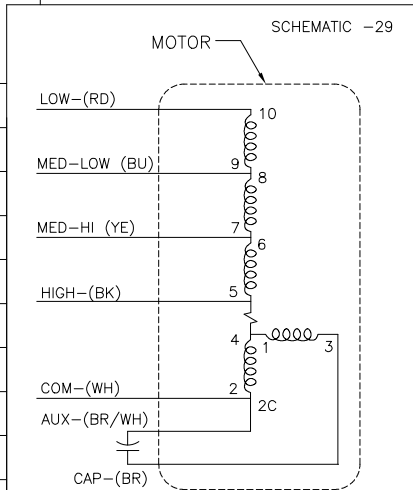
INS CL B AMB 40 °C HP 1/10-1/15-1/25-1/35 CONT AO

BRG SLV ROTATION ASSEMBLED IN MEXICO

63T7452-12
 COLOR CODE LABEL
 BK-HI 1.7A 1/10HP
 BU-MED HI 1.3A 1/15HP
 YE-MED 0.85A 1/25HP
 RED-LO 0.62A 1/35HP
 WH-COM
 BR & BR/WH CAP

63T7443-265
 CONN LABEL

LEAD DATA	CONNECTED TO BASE	#10 EYELET
GREEN/YELLOW (GROUND)	11.0/13.0 [279/330]	.25 [6.4] FLAG
BROWN/WHITE	11.0/13.0 [279/330]	.25 [6.4] FLAG
BROWN	47.0/49.0 [1193/1245]	.50 [12.7] SKIN
RED	47.0/49.0 [1193/1245]	.50 [12.7] SKIN
BLUE	47.0/49.0 [1193/1245]	.50 [12.7] SKIN
YELLOW	47.0/49.0 [1193/1245]	.50 [12.7] SKIN
BLACK	47.0/49.0 [1193/1245]	.50 [12.7] SKIN
WHITE	47.0/49.0 [1193/1245]	.50 [12.7] SKIN
COLOR	LENGTH	TERMINAL OR STRIP LENGTH



PERFORMANCE CURVE NO.	TORQUE @ 1075 RPM (25°C)	APPROVED SAMPLE	UL COMPONENT		CSA	
			FILE #	CCN #	FILE #	CLASS #
-	105 OZ. IN.	S-9088E	-	-	-	-

DRAWING REVISION: C
 APPROVED BY: J. RUPERT
 DATE: 04-17-2023

ECO: ECR-0225021
 APPROVED BY: J. RUPERT
 DATE: 04-17-2023

ECO DESCRIPTION: CHANGED TO NEW FORMAT

COPYRIGHT REGAL BELTO AMERICA, INC. ALL RIGHTS RESERVED. PROPRIETARY AND CONFIDENTIAL INFORMATION - THIS DOCUMENT IS THE PROPERTY OF REGAL BELTO AMERICA, INC. (OWNER) AND CONTAINS OWNER'S PROPRIETARY INFORMATION. ANY PERSON, CORPORATION OR OTHER ENTITY, DUPLICATED, AND/OR USED, BY RECEIVING IT, TO AGREE THAT IT, AND/OR ANY PART OF IT, SHALL NOT BE DISCLOSED TO ANY PERSON, CORPORATION OR OTHER ENTITY, DUPLICATED, AND/OR USED, EXCEPT AS EXPRESSLY APPROVED IN WRITING IN ADVANCE BY OWNER. THIS DOCUMENT SHALL BE RETURNED TO OWNER UPON REQUEST. IT MAY BE SUBJECT TO CERTAIN RESTRICTIONS UNDER APPLICABLE EXPORT CONTROL LAWS AND REGULATIONS.

DRAWN BY: A. BAUGHMAN
 DATE: 02-11-2015

APPROVED BY: A. BAUGHMAN
 DATE: 02-11-2015

REFERENCE: -

THIRD ANGLE PROJECTION

REGAL™ Regal Beloit America, Inc.

DESCRIPTION: MODEL-RFHP-42FR OUTLINE

MATERIAL: - PROCESS/FINISH: -

SIZE: C DWG NO: 362A SHEET: 1