

PRODUCT INFORMATION PACKET



Model No: 3641
Catalog No: 3641
1/8 HP Fan & Blower Motor, 1075 RPM, 3 Speed, 115 Volts, 48 Frame, OAO
Fan and Blower Motors



Regal and Genteq are trademarks of Regal Rexnord Corporation or one of its affiliated companies.
©2021 Regal Rexnord Corporation, All Rights Reserved. MC017097E





Nameplate Specifications

Output HP	1/8 Hp	Frequency	60 Hz
Voltage	115 V	Current	1.80 A
Speed	1075 rpm	Service Factor	1
Phase	1	Duty	Continuous Air Over
Insulation Class	B	Frame	48
Enclosure	Open Air Over	Thermal Protection	Thermally Protected
Ambient Temperature	40 °C	UL	Recognized
CSA	Y	CE	N
Number of Speeds	3		

Technical Specifications

Electrical Type	Permanent Split Capacitor	Poles	6
Rotation	Counterclockwise	Mounting	Resilient Ring
Motor Orientation	Any	Drive End Bearing	Sleeve
Opp Drive End Bearing	Sleeve	Frame Material	Rolled Steel
Shaft Type	Flat	Overall Length	20.00 in
Frame Length	2.82 in	Shaft Diameter	0.500 in
Shaft Extension	7.00 in		
Outline Drawing	5KCP39CG5824ES	Connection Drawing	NP24X327721

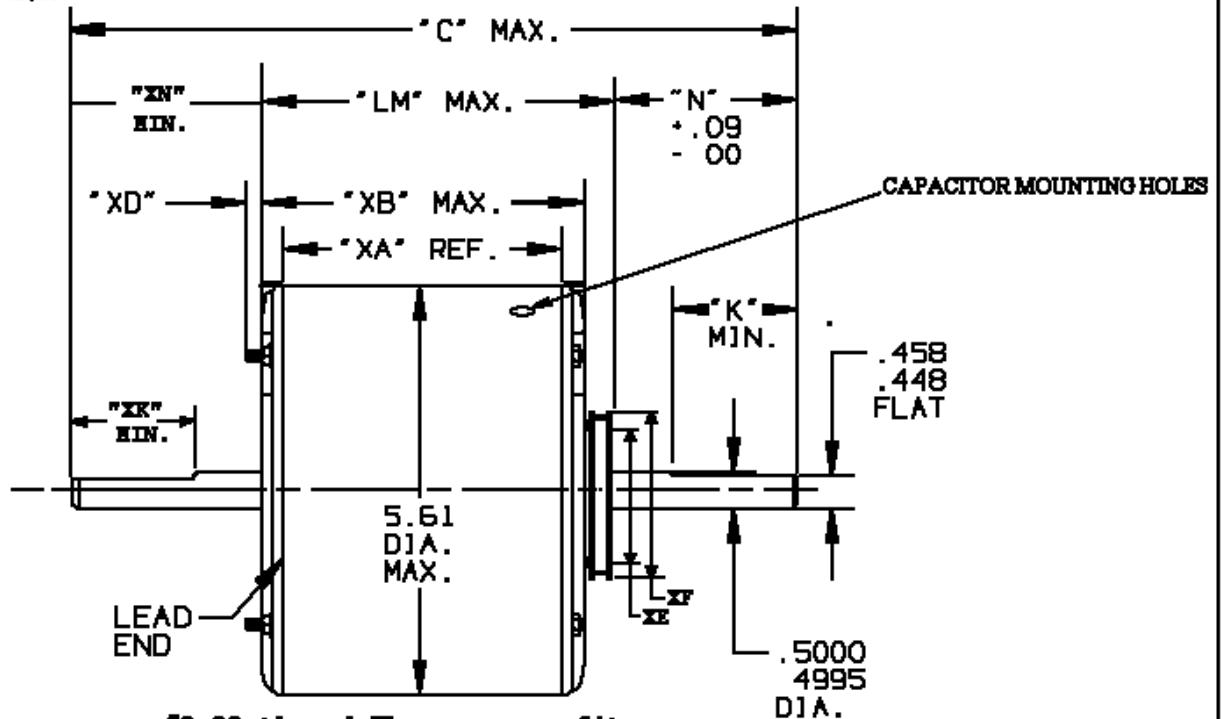
This is an uncontrolled document once printed or downloaded and is subject to change without notice. Date Created:10/11/2021

CONFIDENTIAL AND PROPRIETARY

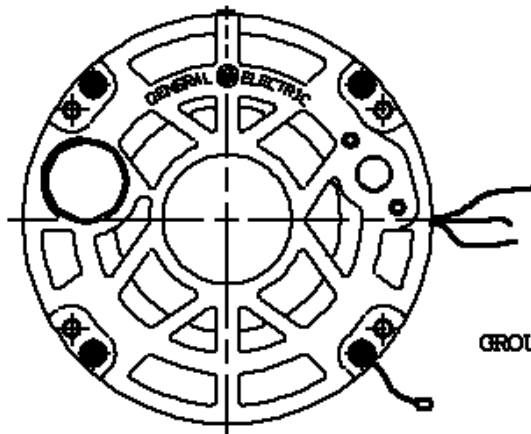
GE STOCK #3641

REVISIONS	
REV	DESCRIPTION
1	JAR 08/20/97 TO ELECTRONIC FORMAT
2	CAS 01/09/01 REMOVE OLERS

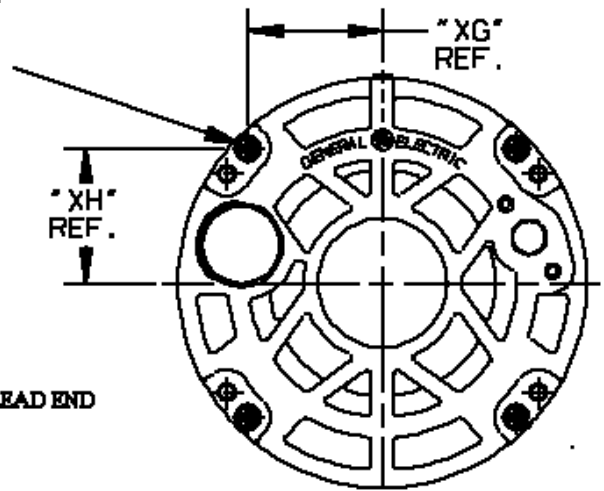
This document is the property of General Electric Company and contains proprietary and confidential information of the Motor Business Group (MBG). The recipient is to use this document only for the purpose intended and shall not be disclosed to others without the express consent of MBG and that the information shall be used by the recipient only on approved projects by MBG. Also, the document shall be returned to MBG upon its request.



#8-32 thread—These screws fit a gage having (4) holes .1910 dia. located on basic hole position.



ADDITIONAL DETAILS (VIEWING LEAD END)



GROUND LEAD ON OPP LEAD END

Clampscrew position when "XC" or "XD" exceed .14
 If "XC" or "XD" = .14 it is a Max. dim.
 but if greater than .14, value given is $-.00/+.14$.
 If extra nuts are furnished for spacing,

20.00	7.00	9.02	6.60	8.60	3.89	2.82	3.48	-	1.50	2.22	2.25	1.838	1.838	5.37
C	N	XN	K	XK	LM	XA	XB	XC	XD	XE	XF	XG	XH	YO

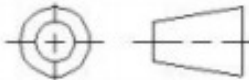
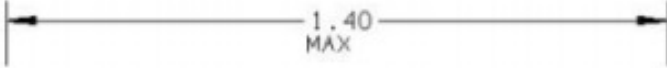

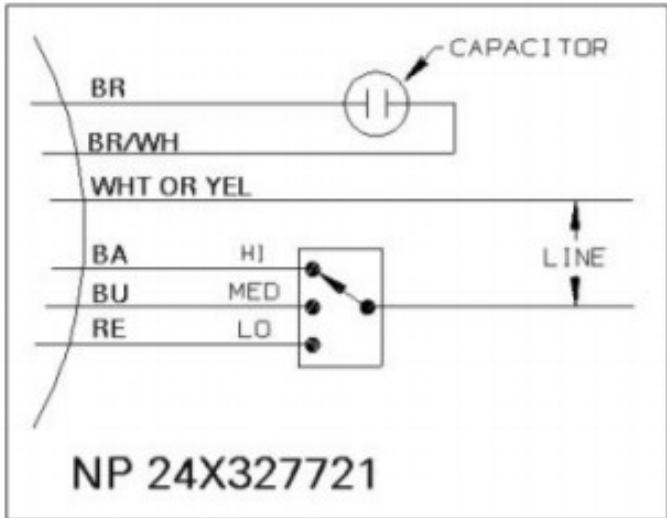

CAD. NO. FR2N

ROTATION CCW VIEWED IN DIRECTION OF ARROW.
 VENTILATION SYSTEM
 SHELL OPEN BOTTOM 180°
 OPPOSITE LEAD END SHIELD OPEN
 LEAD END SHIELD OPEN
 LEADS EXIT THRU SHELL @ 90 DEGREES FROM TOP OF MOTOR VIEWED IN DIRECTION OF ARROW

GENERAL ELECTRIC	
MOTOR BUSINESS GROUP FORT WAYNE, INDIANA	
MOTOR OUTLINE	
MODEL	SCALE
5KCP39CG5824ES	CAS 607/95
NO	NO

CAD. NO. FR2N

(OLH60)

	THIRD ANGLE PROJECTION	REVISIONS			
REV		REV	DESCRIPTION	DATE	APPROVED
SH	Uncontrolled Copy				
SIZE	<p>CONFIDENTIAL AND PROPRIETARY</p> <p><small>This document is the property of General Electric Company and contains proprietary and confidential information of the Motor Business Group (MBG). The document is loaned on the express condition that neither it nor the information contained therein shall be divulged to others without the express consent of MBG and that the information shall be used by the recipient only as approved in writing by MBG. Also, the document shall be returned to MBG upon its request.</small></p>				
DWG NO	<div style="display: flex; justify-content: space-around; align-items: center;"> <div style="text-align: center;"> <p>1.40 MAX</p>  </div> <div style="text-align: center;"> <p>1.09</p>  </div> </div> <div style="border: 1px solid black; padding: 10px; margin: 10px auto; width: 80%;">  <p style="text-align: center; font-weight: bold; font-size: 1.2em;">NP 24X327721</p> </div>				
A	<p>NOTE: THIS DRAWING WILL BE ELECTRONICALLY REPRODUCED BY THE HVAC FAN MOTOR NAMEPLATE SYSTEM.</p>				
UNLESS OTHERWISE SPECIFIED		SIGNATURES		DATE	
DIMENSIONS ARE IN INCHES		DRAWN CASCHUTT		12/14/94	
TOLERANCES ON:		CHECKED		 GE Motors Fort Wayne, Indiana	
2 PL. DECIMALS ±		ENGRD			
3 PL. DECIMALS ±		ISSUED			
ANGLES ±		✓		NAMEPLATE LABEL	
PRACTICES ±		CAD NO		SIZE	FSCM NO
MATERIAL		APPLIED PRACTICES		A	DWG NO
F39: XNP8		SCALE		3	NP 24X327721
		SHEET		1 OF 1	DISTR TO