

PRODUCT INFORMATION PACKET



Model No: 3725HS
Catalog No: 3725HS

HEAT SHIELD® Condenser Fan Motor, 1/8 HP, 1 Ph, 60 Hz, 208-230 V, 825 RPM, 1 Speed, 48 Frame, TEAO



Regal and Genteq are trademarks of Regal Rexnord Corporation or one of its affiliated companies.
©2023 Regal Rexnord Corporation, All Rights Reserved. MC017097E





Nameplate Specifications

| | | | |
|---------------------|---------------------------|--------------------|---------------------|
| Output HP | 1/8 Hp | Frequency | 60 Hz |
| Voltage | 208-230 V | Current | 0.85 A |
| Speed | 825 rpm | Service Factor | 1 |
| Phase | 1 | Duty | Continuous Air Over |
| Insulation Class | B | Frame | 48 |
| Enclosure | Totally Enclosed Air Over | Thermal Protection | Thermally Protected |
| Ambient Temperature | 70 °C | UL | Recognized |
| CSA | Y | CE | N |
| Number of Speeds | 1 | | |

Technical Specifications

| | | | |
|-----------------------|---------------------------|----------------------|------------------|
| Electrical Type | Permanent Split Capacitor | Poles | 8 |
| Rotation | Reversible | Mounting | Round Belly Band |
| Motor Orientation | Any | Drive End Bearing | Sleeve |
| Opp Drive End Bearing | Sleeve | Frame Material | Rolled Steel |
| Shaft Type | Double Flat | Overall Length | 11.21 in |
| Frame Length | 3.57 in | Shaft Diameter | 0.500 in |
| Shaft Extension | 6.50 in | Thru-bolts Extension | 0.75 in |
| Connection Drawing | NP24X327691 | Outline Drawing | 5KCP39DFAD06S |

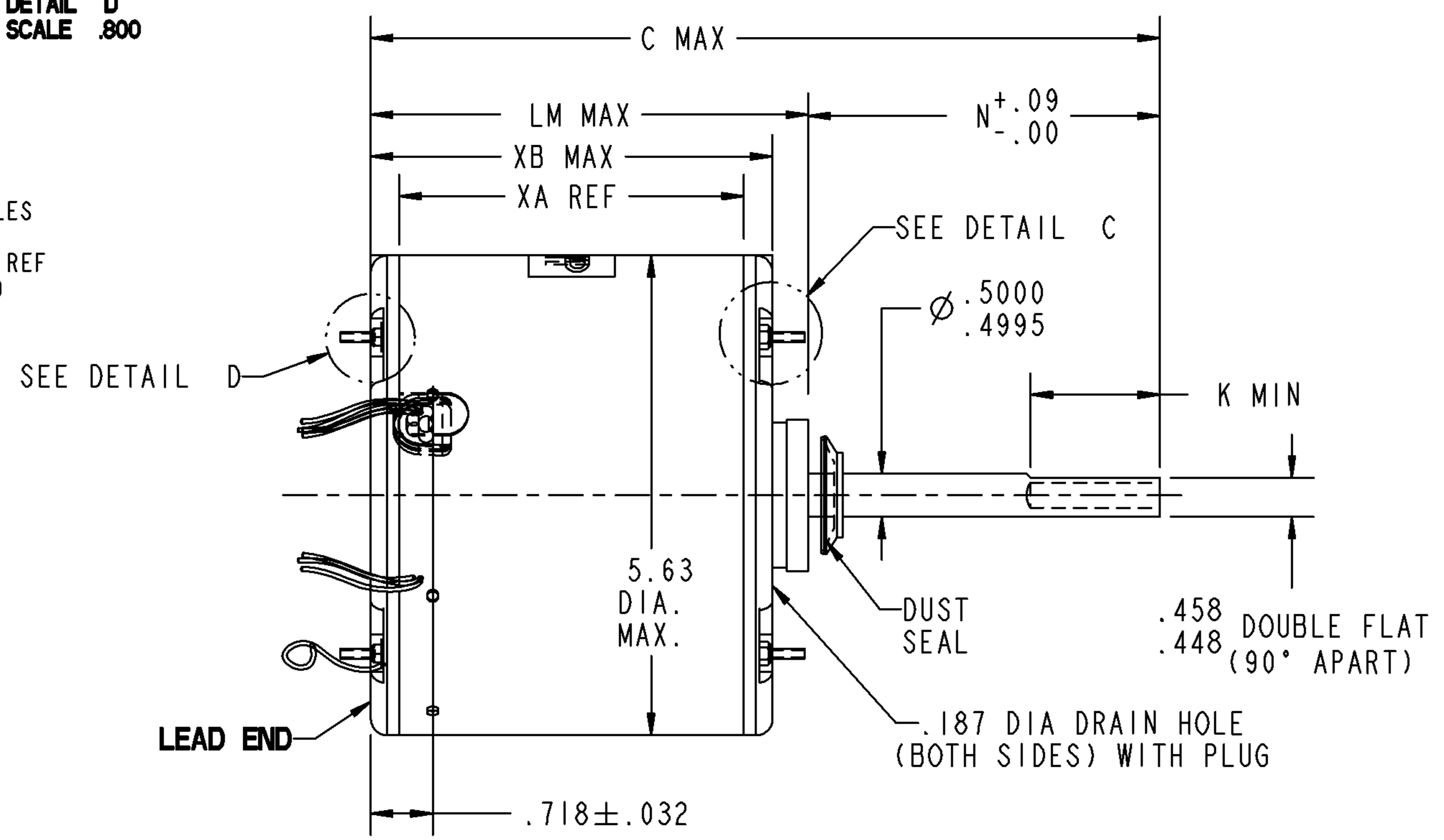
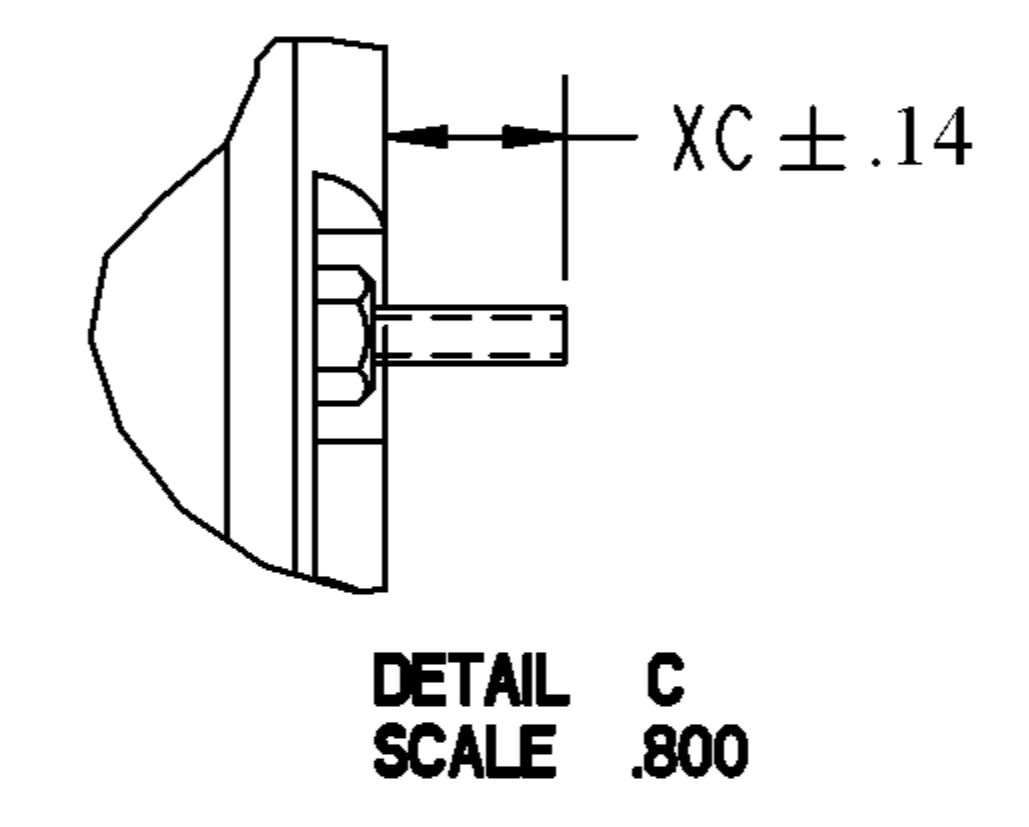
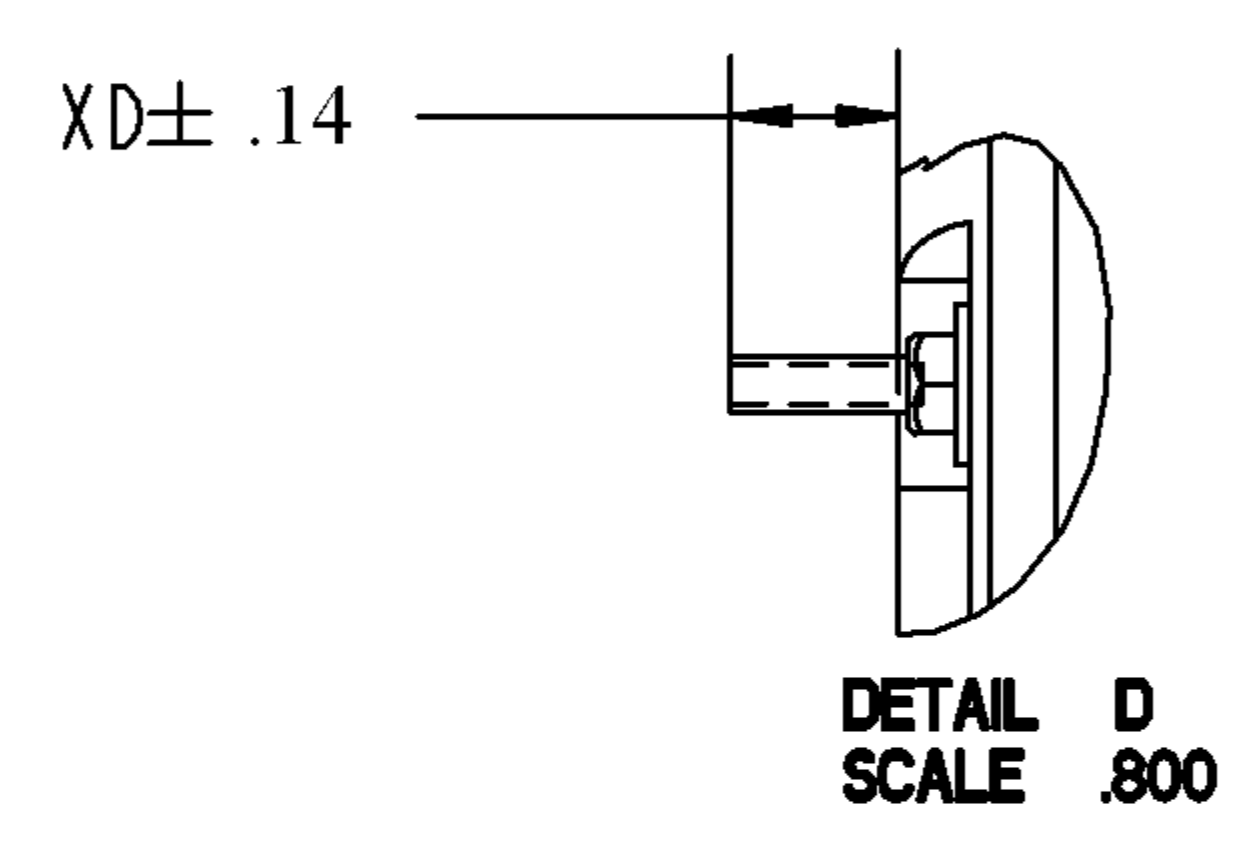
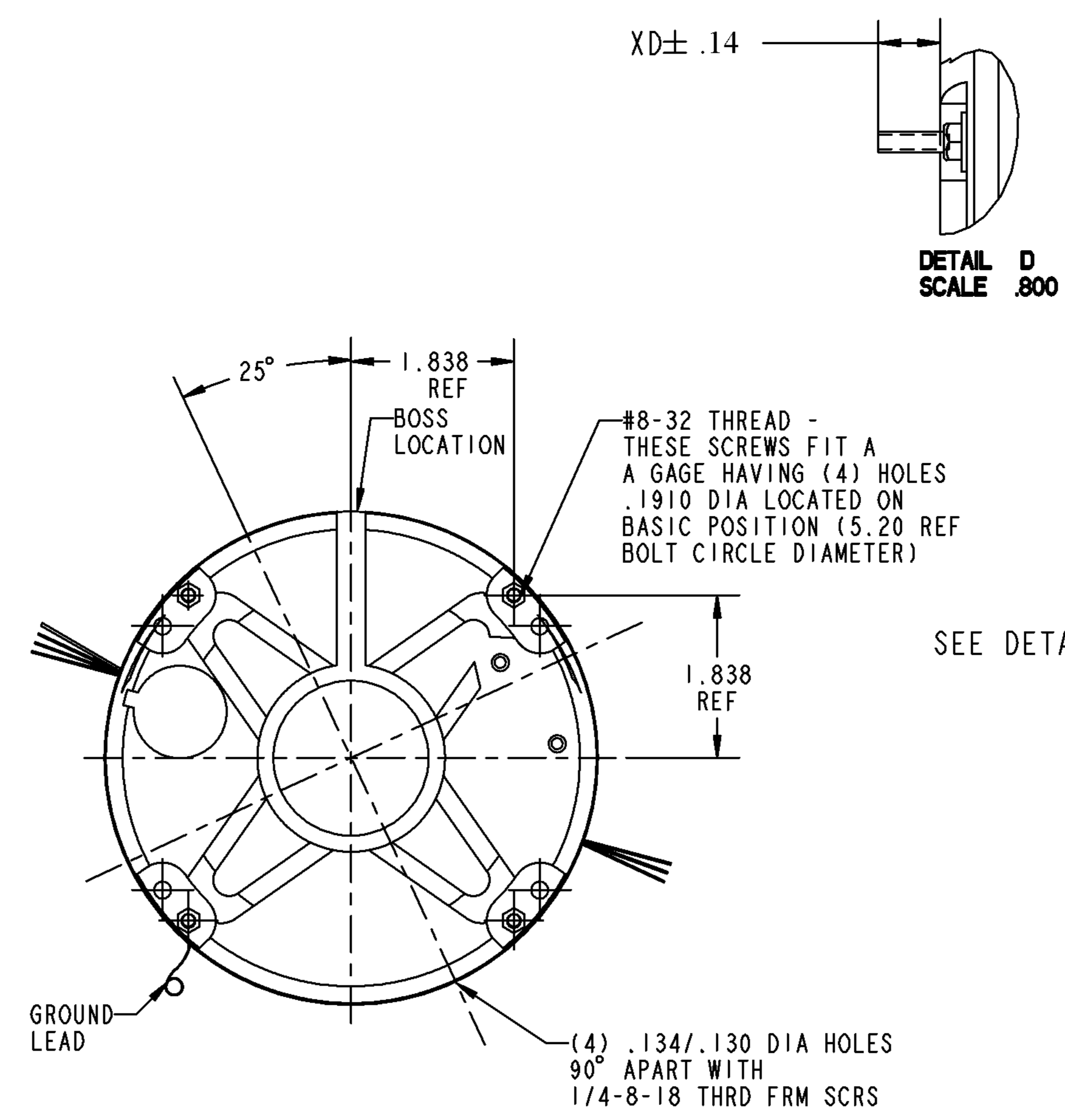
This is an uncontrolled document once printed or downloaded and is subject to change without notice. Date Created:02/17/2023

NAME: 100003107 OBJECT: 5KCP39DFAD06S DATE: 03-Jan-08 19:34:23

| VENTILATION SYSTEM | |
|---------------------------|--------|
| SHELL VENTS | CLOSED |
| ENDSHIELD (OPP. LEAD END) | CLOSED |
| ENDSHIELD (LEAD END) | CLOSED |

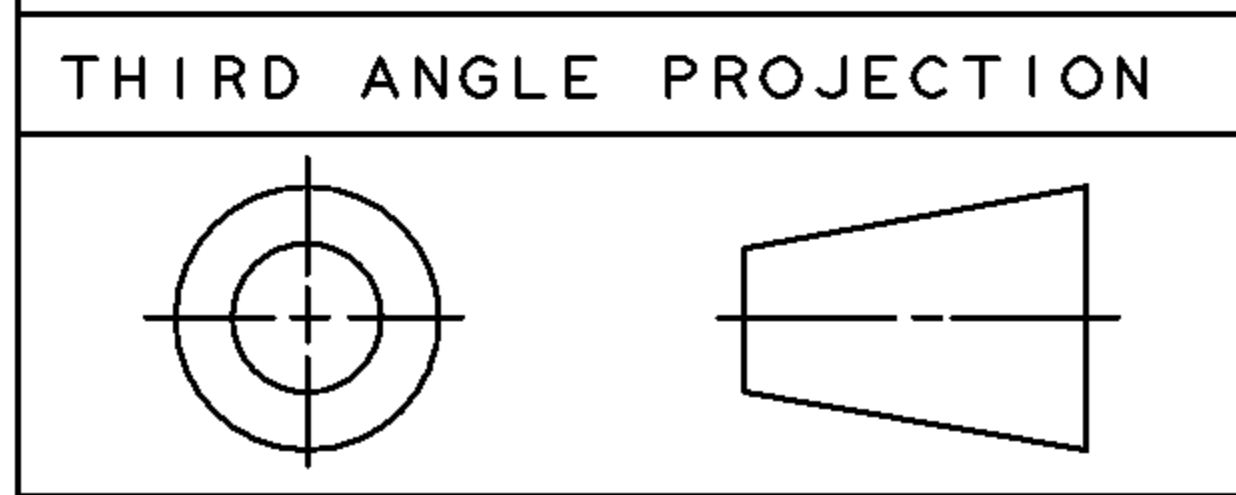
RBC PROPRIETARY AND CONFIDENTIAL INFORMATION
 This document is the property of REGAL BELOIT CORPORATION ("RBC") including its subsidiaries and divisions and contains proprietary information of RBC. This document is loaned on the express condition that neither it nor the information contained therein shall be disclosed to others without the express written consent of RBC, and that the information shall be used by the recipient only as approved expressly by RBC. This document shall be returned to RBC upon its request. This document may be subject to certain restrictions under U.S. export control laws and regulations.

| REVISIONS | | | |
|-----------|---------------------------------|--------|-----------|
| REV. | DESCRIPTION | DATE | APPROVED |
| I | RELEASED TO PROD PER IS:08-0008 | 1/3/08 | S.KARTHIK |



NOTE:
1. DIMENSIONS SHOWN ARE NOMINAL UNLESS OTHERWISE SPECIFIED.

| | | | | | | | | |
|-------|------|------|-----|-----|------|------|------|-----|
| | | | | | | | .75 | .75 |
| | | | | | | | XC | XD |
| 11.21 | 6.50 | 5.50 | N/A | N/A | 4.64 | 3.57 | 4.23 | |
| C | N | K | XN | XK | LM | XA | XB | |



| SNO | CONNECTION | COLOR | EXIT TYPE | EXIT LOC (VIEWING LE) | GAGE | MATERIAL | WALL THK | LENGTH | TERMINATION |
|-----|-----------------|---------|----------------|-----------------------|------|---------------|----------|--------|-----------------------|
| 1 | COMMON LEAD | YELLOW | 4-5 LD BUSHING | 3:40 | 18 | THERMOPLASTIC | 4/64 | 48.00 | .50 BWS |
| 2 | REV LEAD | YELLOW | 2-3 LD BUSHING | 9:40 | 18 | VULKENE | 2/64 | 4.00 | MALE REVERSING PLUG |
| 3 | CAPACITOR LEAD | BRN/WHT | 4-5 LD BUSHING | 3:40 | 18 | THERMOPLASTIC | 4/64 | 48.00 | .25 FQC |
| 4 | REV LEAD | ORANGE | 2-3 LD BUSHING | 9:40 | 18 | VULKENE | 2/64 | 4.00 | MALE REVERSING PLUG |
| 5 | CAPACITOR LEAD | BROWN | 4-5 LD BUSHING | 3:40 | 18 | THERMOPLASTIC | 4/64 | 48.00 | .25 FQC |
| 6 | REV LEAD | BROWN | 2-3 LD BUSHING | 9:40 | 18 | VULKENE | 2/64 | 4.00 | FEMALE REVERSING PLUG |
| 7 | HIGH SPEED LEAD | BLACK | 4-5 LD BUSHING | 3:40 | 18 | THERMOPLASTIC | 4/64 | 48.00 | .50 BWS |
| 8 | REV LEAD | PURPLE | 2-3 LD BUSHING | 9:40 | 18 | VULKENE | 2/64 | 4.00 | FEMALE REVERSING PLUG |
| 9 | GROUND | GRN-YEL | CLAMPSCREW | 7:30 | 18 | THERMOPLASTIC | 2/64 | 12.00 | #10 EYELET |

| NAMEPLATE DATA | |
|----------------|-------------------------|
| MODEL | 5KCP39DFAD06S |
| CUST P/N | STOCK NO 3725HS |
| HP | 1/8 |
| RPM | 825 |
| VOLTS | 208-230 |
| HZ | 60 |
| SPEEDS | 1 |
| AMPS | 0.85 |
| CAP REQD-1 | 5.00µfd/370Volts |
| CAP REQD-2 | N/R |
| CONN. DRW# | NP24X327691 |
| ROTATION | CCW/CW (VIEWED FROM LE) |

REGAL BELOIT CORPORATION
 FORTWAYNE, INDIANA

TITLE: **MOTOR OUTLINE**
 (CUSTOMER NAME : DEF PUR)

SIZE B DRAWING 5KCP39DFAD06S REV 1

SCALE: NO ISSUED: 1/3/08 SHEET 1 of 1

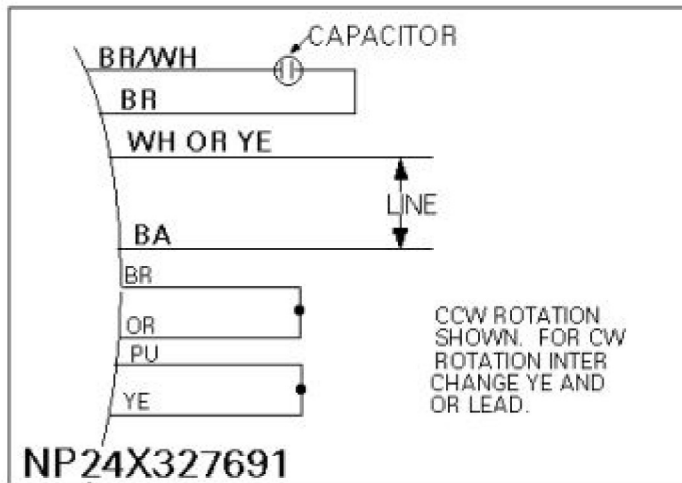
CONFIDENTIAL AND PROPRIETARY

This document is the property of General Electric Company and contains proprietary and confidential information of the Motor Business Group (MBG). The document is issued on the express conditions that neither it nor the information contained herein shall be disclosed to others without the express consent of MBG and that the information shall be used by the recipient only as approved expressly by MBG. Also, the document shall be returned to MBG upon its request.

REVISIONS

| REV | DESCRIPTION |
|-----|-------------------------|
| 1 | CAS 8/29/00 ELEC FORMAT |

Uncontrolled Copy



| | | | | | |
|----------------------|-------|---------------------|--|----------|-------------|
| GENERAL | | | | ELECTRIC | |
| MOTOR BUSINESS GROUP | | FORT WAYNE, INDIANA | | | |
| FILE: | DPC # | NP 24X327691 | | ISSUED | CAS 4/29/94 |
| | | | | SCALE | 4/10 |