

# PRODUCT INFORMATION PACKET



Model No: 3730HS  
Catalog No: 3730HS

HEAT SHIELD® Condenser Fan Motor, 1/2 HP, 1 Ph, 60 Hz, 208-230 V, 1075 RPM, 1 Speed, 48 Frame, TEAO



Regal and Genteq are trademarks of Regal Rexnord Corporation or one of its affiliated companies.  
©2023 Regal Rexnord Corporation, All Rights Reserved. MC017097E





### Nameplate Specifications

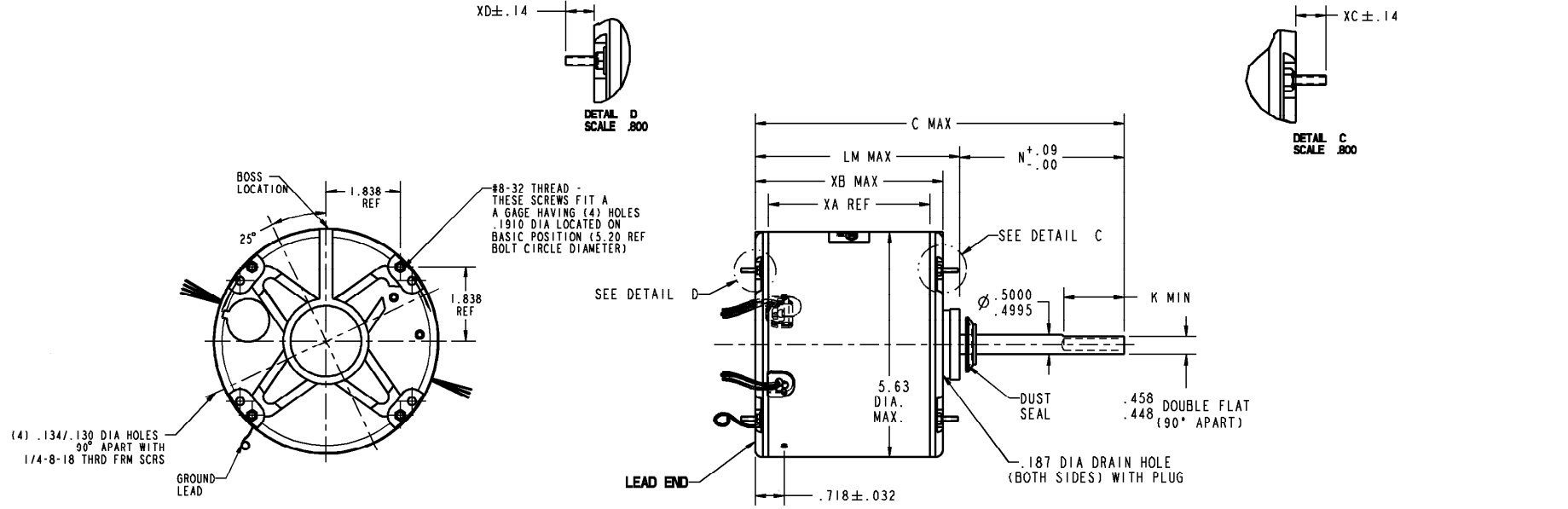
Output HP	1/2 Hp	Output KW	0.37 kW
Frequency	60 Hz	Voltage	208-230 V
Current	3.00 A	Speed	1075 rpm
Service Factor	1	Phase	1
Duty	Continuous Air Over	Insulation Class	B
Frame	48	Enclosure	Totally Enclosed Air Over
Thermal Protection	Thermally Protected	Ambient Temperature	70 °C
UL	Recognized	CSA	Y
CE	Y	Number of Speeds	1

### Technical Specifications

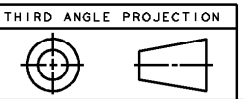
Electrical Type	Permanent Split Capacitor	Poles	6
Rotation	Reversible	Mounting	Round Belly Band
Motor Orientation	Any	Drive End Bearing	Sleeve
Opp Drive End Bearing	Sleeve	Frame Material	Rolled Steel
Shaft Type	Double Flat	Overall Length	12.96 in
Frame Length	5.32 in	Shaft Diameter	0.500 in
Shaft Extension	6.50 in	Thru-bolts Extension	1.25 in
Outline Drawing	5KCP39RGY799AS	Connection Drawing	NP24X327691

This is an uncontrolled document once printed or downloaded and is subject to change without notice. Date Created:02/17/2023

VENTILATION SYSTEM		RBC PROPRIETARY AND CONFIDENTIAL INFORMATION		REVISIONS			
SHELL VENTS	CLOSED	This document is the property of REGAL BELOIT CORPORATION ("RBC") including its subsidiaries and divisions and contains proprietary information of RBC. This document is loaned on the express condition that neither it nor the information contained therein shall be disclosed to others without the express written consent of RBC, and that the information shall be used by the recipient only as approved expressly by RBC. This document shall be returned to RBC upon its request. This document may be subject to certain restrictions under U.S. export control laws and regulations.		REV.	DESCRIPTION	DATE	APPROVED
ENDSHIELD (OPP. LEAD END)	CLOSED			1	REL TO PROD PER IS:11-2171	05/20/11	PRANEETH
ENDSHIELD (LEAD END)	CLOSED						



NOTE:  
1. DIMENSIONS SHOWN ARE NOMINAL UNLESS OTHERWISE SPECIFIED.



WIRE	CONNECTION	COLOR	END TYPE	EXIT LOC. (FROM LEAD)	QTY	MATERIAL	WIRE SIZE	LENGTH	TERMINATION
1	COMMON LEAD	WHITE	4-5 LD BUSHING	3:40	18	THERMOPLASTIC	4/64	48.00	50 BWS
2	REV LEAD	YELLOW	2-3 LD BUSHING	9:40	18	VULKENE	2/64	4.00	MALE REVERSING PLUG
3	CAPACITOR LEAD	BRN/WHI	4-5 LD BUSHING	3:40	18	THERMOPLASTIC	4/64	48.00	.25 FOC
4	REV LEAD	ORANGE	2-3 LD BUSHING	9:40	18	VULKENE	2/64	4.00	MALE REVERSING PLUG
5	CAPACITOR LEAD	BROWN	4-5 LD BUSHING	3:40	18	THERMOPLASTIC	4/64	48.00	.25 FOC
6	REV LEAD	BROWN	2-3 LD BUSHING	9:40	18	VULKENE	2/64	4.00	FEMALE REVERSING PLUG
7	HIGH SPEED LEAD	BLACK	4-5 LD BUSHING	3:40	18	THERMOPLASTIC	4/64	48.00	50 BWS
8	REV LEAD	PURPLE	2-3 LD BUSHING	9:40	18	VULKENE	2/64	4.00	FEMALE REVERSING PLUG
9	GROUND	GRN-YEL	CLAMPSCREW	7:30	18	THERMOPLASTIC	2/64	12.00	#10 EYELET

NAMEPLATE DATA	
MODEL	5KCP39RGY799AS
CLUST P/N	STOCK NO 3730HS
HP	1/2
RPM	1075
VOLTS	208-230
HZ	60
* SPEEDS	1
AMPS	3.00
CAP REQD-1	10.00µfd/370Vdl+
CAP REQD-2	N/R
CONN GRP	NP24X327691
ROTATION	CCW/CW (VIEWED FROM LEAD END)

	1.25	.75
	XC	XD
12.96	6.50	5.50
N/A	N/A	6.39
5.32	5.98	5.98
C	N	K
	XN	XK
	LM	XA
		XB

**REGAL-BELOIT CORPORATION**  
FORTWAYNE, INDIANA

TITLE: **MOTOR OUTLINE**  
( CUSTOMER NAME : DEF PUR )

SIZE B DRAWING: **5KCP39RGY799AS** REV 1

SCALE: NO ISSUED: 05/20/11 SHEET 1 of 1

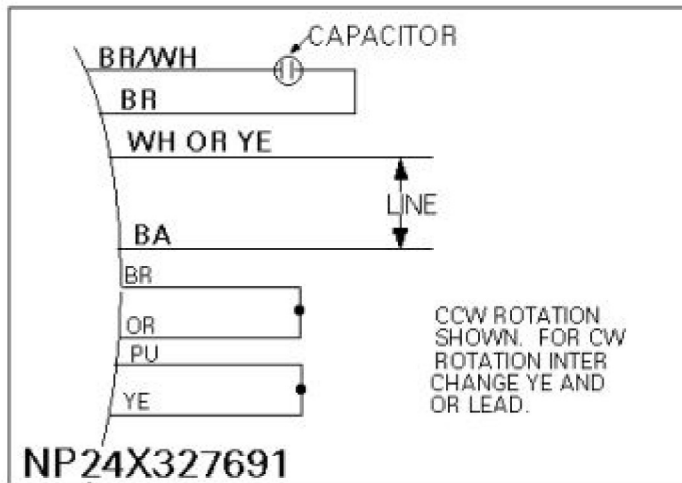
CONFIDENTIAL AND PROPRIETARY

This document is the property of General Electric Company and contains proprietary and confidential information of the Motor Business Group (MBG). The document is issued on the express conditions that neither it nor the information contained herein shall be disclosed to others without the express consent of MBG and that the information shall be used by the recipient only as approved expressly by MBG. Also, the document shall be returned to MBG upon its request.

REVISIONS

REV	DESCRIPTION
1	CAS 8/29/00 ELEC FORMAT

Uncontrolled Copy



GENERAL ELECTRIC							
MOTOR BUSINESS GROUP	FORT WAYNE, INDIANA						
<table border="1"> <tr> <td>FILE:</td> <td>DPC #</td> <td>NP 24X327691</td> <td>ISSUED</td> <td>CAS 4/29/94</td> <td>SCALE</td> </tr> </table>		FILE:	DPC #	NP 24X327691	ISSUED	CAS 4/29/94	SCALE
FILE:	DPC #	NP 24X327691	ISSUED	CAS 4/29/94	SCALE		