

# PRODUCT INFORMATION PACKET



Model No: 3739HS  
Catalog No: 3739HS

HEAT SHIELD® Condenser Fan Motor, 3/4 HP, 1 Ph, 60 Hz, 460 V, 1075 RPM, 1 Speed, 48 Frame, TEAO



Regal and Genteq are trademarks of Regal Rexnord Corporation or one of its affiliated companies.  
©2023 Regal Rexnord Corporation, All Rights Reserved. MC017097E





### Nameplate Specifications

Output HP	<b>3/4 Hp</b>	Output KW	<b>0.56 kW</b>
Frequency	<b>60 Hz</b>	Voltage	<b>460 V</b>
Current	<b>2.03 A</b>	Speed	<b>1075 rpm</b>
Service Factor	<b>1</b>	Phase	<b>1</b>
Duty	<b>Continuous Air Over</b>	Insulation Class	<b>B</b>
Frame	<b>48</b>	Enclosure	<b>Totally Enclosed Air Over</b>
Thermal Protection	<b>Thermally Protected</b>	Ambient Temperature	<b>70 °C</b>
UL	<b>Recognized</b>	CSA	<b>Y</b>
CE	<b>N</b>	Number of Speeds	<b>1</b>

### Technical Specifications

Electrical Type	<b>Permanent Split Capacitor</b>	Poles	<b>6</b>
Rotation	<b>Reversible</b>	Mounting	<b>Round Belly Band</b>
Motor Orientation	<b>Any</b>	Drive End Bearing	<b>Ball</b>
Opp Drive End Bearing	<b>Ball</b>	Frame Material	<b>Rolled Steel</b>
Shaft Type	<b>Double Flat</b>	Overall Length	<b>13.21 in</b>
Frame Length	<b>5.57 in</b>	Shaft Diameter	<b>0.500 in</b>
Shaft Extension	<b>6.50 in</b>	Thru-bolts Extension	<b>1 in</b>
Connection Drawing	<b>NP24X327691</b>	Outline Drawing	<b>5KCP39SGU725AS</b>

This is an uncontrolled document once printed or downloaded and is subject to change without notice. Date Created:02/17/2023



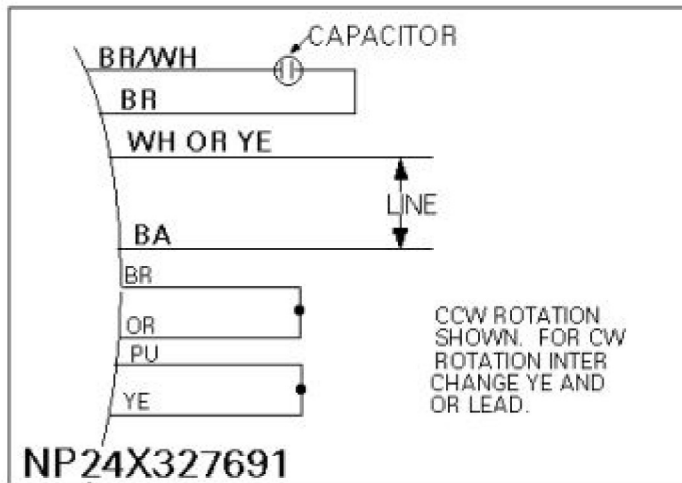
CONFIDENTIAL AND PROPRIETARY

This document is the property of General Electric Company and contains proprietary and confidential information of the Motor Business Group (MBG). The document is issued on the express conditions that neither it nor the information contained herein shall be disclosed to others without the express consent of MBG and that the information shall be used by the recipient only as approved expressly by MBG. Also, the document shall be returned to MBG upon its request.

REVISIONS

REV	DESCRIPTION
1	CAS 8/29/00 ELEC FORMAT

Uncontrolled Copy



GENERAL ELECTRIC							
MOTOR BUSINESS GROUP	FORT WAYNE, INDIANA						
<table border="1"> <tr> <td>FILE:</td> <td>DPC #</td> <td>NP 24X327691</td> <td>ISSUED</td> <td>CAS 4/29/94</td> <td>SCALE</td> </tr> </table>		FILE:	DPC #	NP 24X327691	ISSUED	CAS 4/29/94	SCALE
FILE:	DPC #	NP 24X327691	ISSUED	CAS 4/29/94	SCALE		