

# PRODUCT INFORMATION PACKET



Model No: 3759

Catalog No: 3759

Condenser Fan Motor, 1/3 HP, 1 Ph, 60 Hz, 575 V, 1075 RPM, 1 Speed, 48 Frame, TEAO



Regal and Genteq are trademarks of Regal Rexnord Corporation or one of its affiliated companies.

©2023 Regal Rexnord Corporation, All Rights Reserved. MC017097E





**Nameplate Specifications**

Output HP	1/3 Hp	Frequency	60 Hz
Voltage	575 V	Current	1.10 A
Speed	1075 rpm	Service Factor	1
Phase	1	Duty	Continuous Air Over
Insulation Class	B	Frame	48
Enclosure	Totally Enclosed Air Over	Thermal Protection	Thermally Protected
Ambient Temperature	60 °C	UL	Recognized
CSA	Y	CE	N
Number of Speeds	1		

**Technical Specifications**

Electrical Type	Permanent Split Capacitor	Poles	6
Rotation	Reversible	Mounting	Extended Studs
Motor Orientation	Horizontal	Drive End Bearing	Sleeve
Opp Drive End Bearing	Sleeve	Frame Material	Rolled Steel
Shaft Type	Double Flat	Overall Length	11.70 in
Frame Length	4.57 in	Shaft Diameter	0.500 in
Shaft Extension	6.00 in	Thru-bolts Extension	0.75 in
Connection Drawing	NP24X327691	Outline Drawing	5KCP39LGT378S

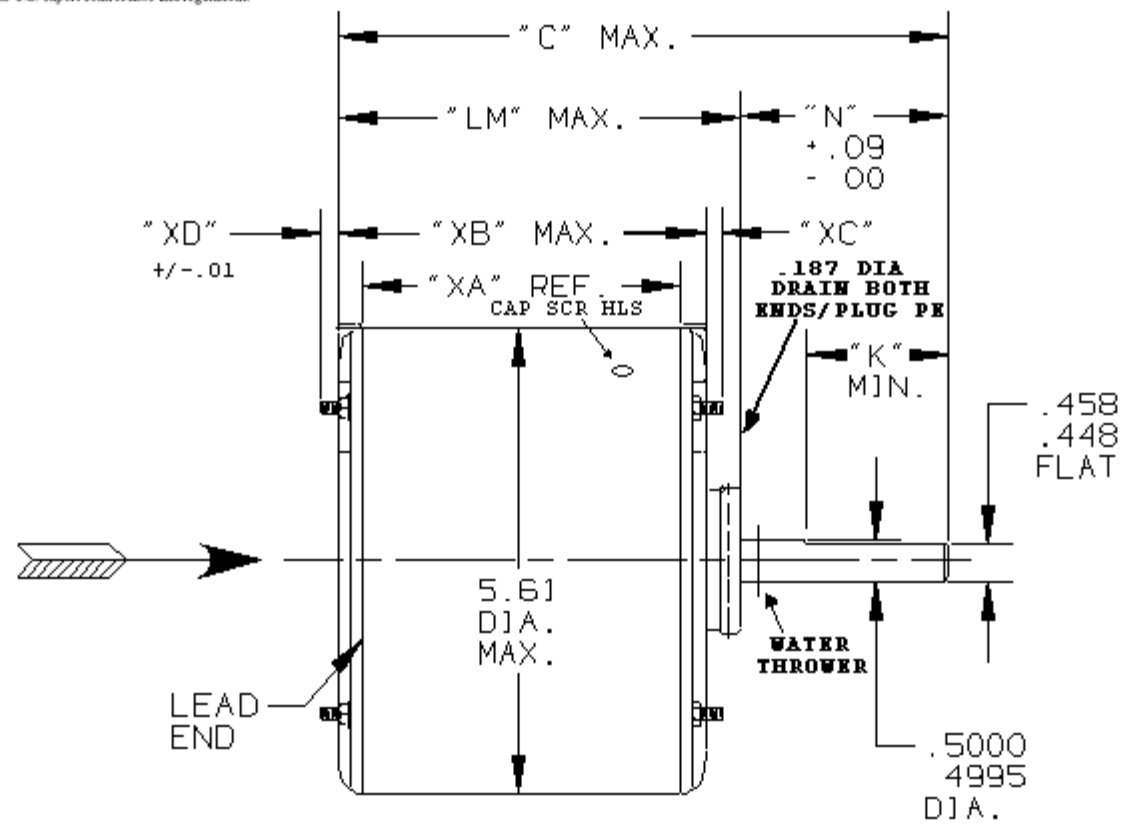
This is an uncontrolled document once printed or downloaded and is subject to change without notice. Date Created:02/17/2023

RBC PROPRIETARY AND CONFIDENTIAL INFORMATION  
 This document is the property of REGAL-BELOIT CORPORATION ("RBC") including its subsidiaries and divisions and contains proprietary information of RBC. This document is loaned on the express condition that neither it nor the information contained there in shall be disclosed to others without the express written consent of RBC and that the information shall be used by the recipient only as approved expressly by RBC. This document shall be returned to RBC upon its request. This document may be subject to certain restrictions under the U.S. export control laws and regulations.

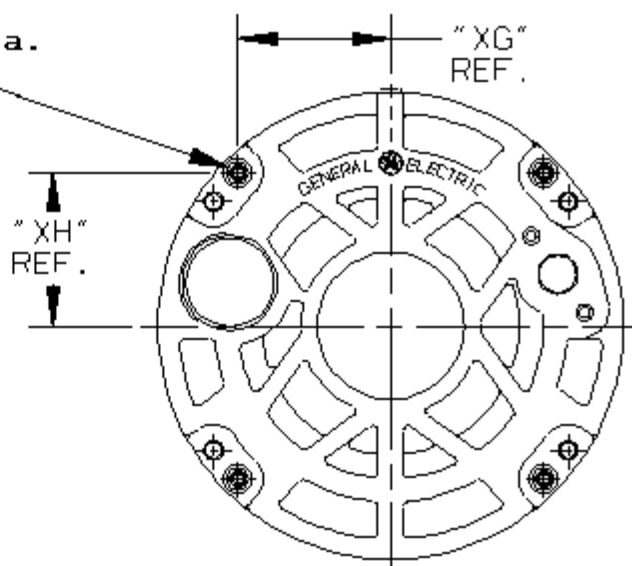
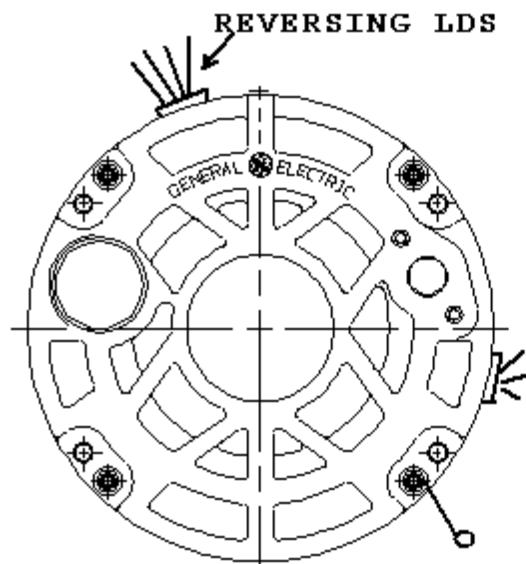
**STOCK  
3759**

REVISIONS	
REV	DESCRIPTION
1	CAS 03/05/99 TB9014
2	JAM 04/27/99 REV PER TB9-50
3	CAS 01/09/01 REMOVE OILERS
4	LOGO MODIFIED IS-05-1777 JS

MODEL



#8-32 thread-These screws fit a gage having (4) holes .1910 dia. located on basic position



Clampscrew position when "XC" or "XD" exceed .14". If "XC" or "XD" = .14 it is a max. dimension, but if greater than .14, value given is -.00/+.14. If extra nuts are furnished for spacing, dimension is from nut next to endshield.

Additional details (Viewing Lead end)

11.71	6.00	5.50	5.64	4.57	5.23	.75	.75	1.838	1.838
"C"	"N"	"K"	"LN"	"XA"	"XB"	"XC"	"XD"	"XG"	"XH"

Rotation CCW viewed in direction of arrow.

Ventilation System:

- Shell vents - CLOSED
- End shield (opp. lead end) - CLOSED
- End shield (lead end) - CLOSED
- Leads exit thru SHELL 100 degrees CW from top of motor viewed in direction of arrow.



# MOTOR OUTLINE

MODEL	ISSUED	SCALE
5KCP39LGT378 S	CAS 5/27/97	NO

CAD. NO. FH1N

CAD. NO. FH1N

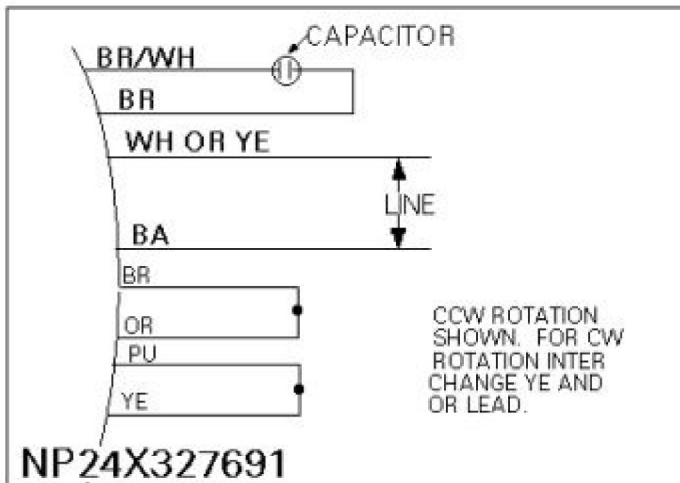
**CONFIDENTIAL AND PROPRIETARY**

This document is the property of General Electric Company and contains proprietary and confidential information of the Motor Business Group (MBG). The document is issued on the express conditions that neither it nor the information contained herein shall be disclosed to others without the express consent of MBG and that the information shall be used by the recipient only as approved expressly by MBG. Also, the document shall be returned to MBG upon its request.

**REVISIONS**

REV	DESCRIPTION
1	CAS 8/29/00 ELEC FORMAT

Uncontrolled Copy



GENERAL ELECTRIC		MOTOR BUSINESS GROUP		FORT WAYNE, INDIANA	
FILE:	DPC #	NP 24X327691	ISSUED	CAS 4/29/94	SCALE