

PRODUCT INFORMATION PACKET



Model No: 3783

Catalog No: 3783

Fan and Blower Motor, 1/4 HP, 1 Ph, 60 Hz, 115 V, 1075 RPM, 3 Speed, 48 Frame, OPAO



Regal and Genteq are trademarks of Regal Rexnord Corporation or one of its affiliated companies.
©2025 Regal Rexnord Corporation, All Rights Reserved. MC017097E





Nameplate Specifications

Phase	1	Output HP	1/4 Hp
Output KW	0.19 kW	Voltage	115 V
Speed	1075 rpm	Service Factor	1
Frame	48	Enclosure	Open Air Over
Thermal Protection	Thermally Protected	Ambient Temperature	40 °C
Frequency	60 Hz	Current	3.70 A
Duty	Continuous Air Over	Insulation Class	B
UL	Recognized	CSA	Y
CE	N	Number of Speeds	3

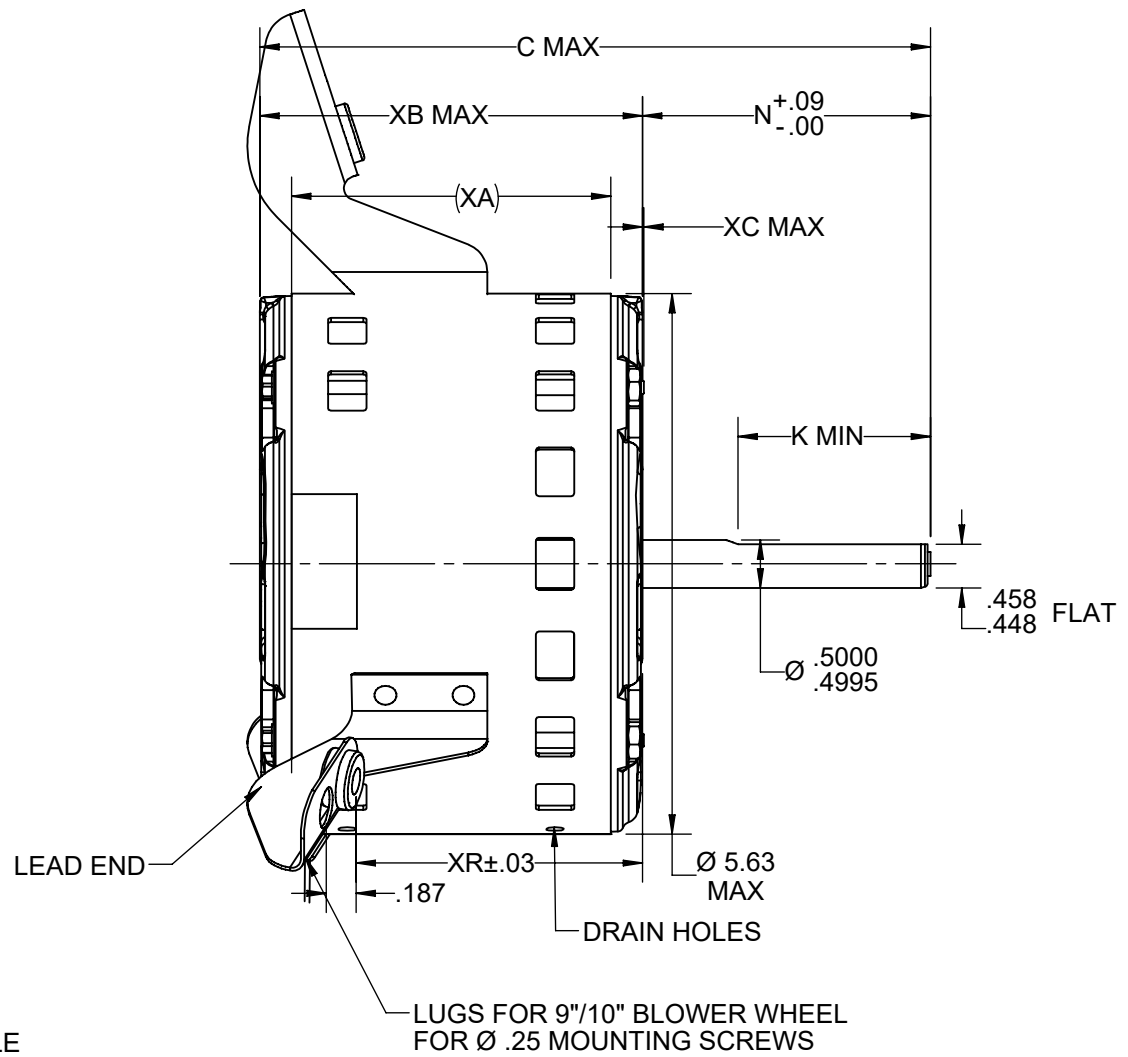
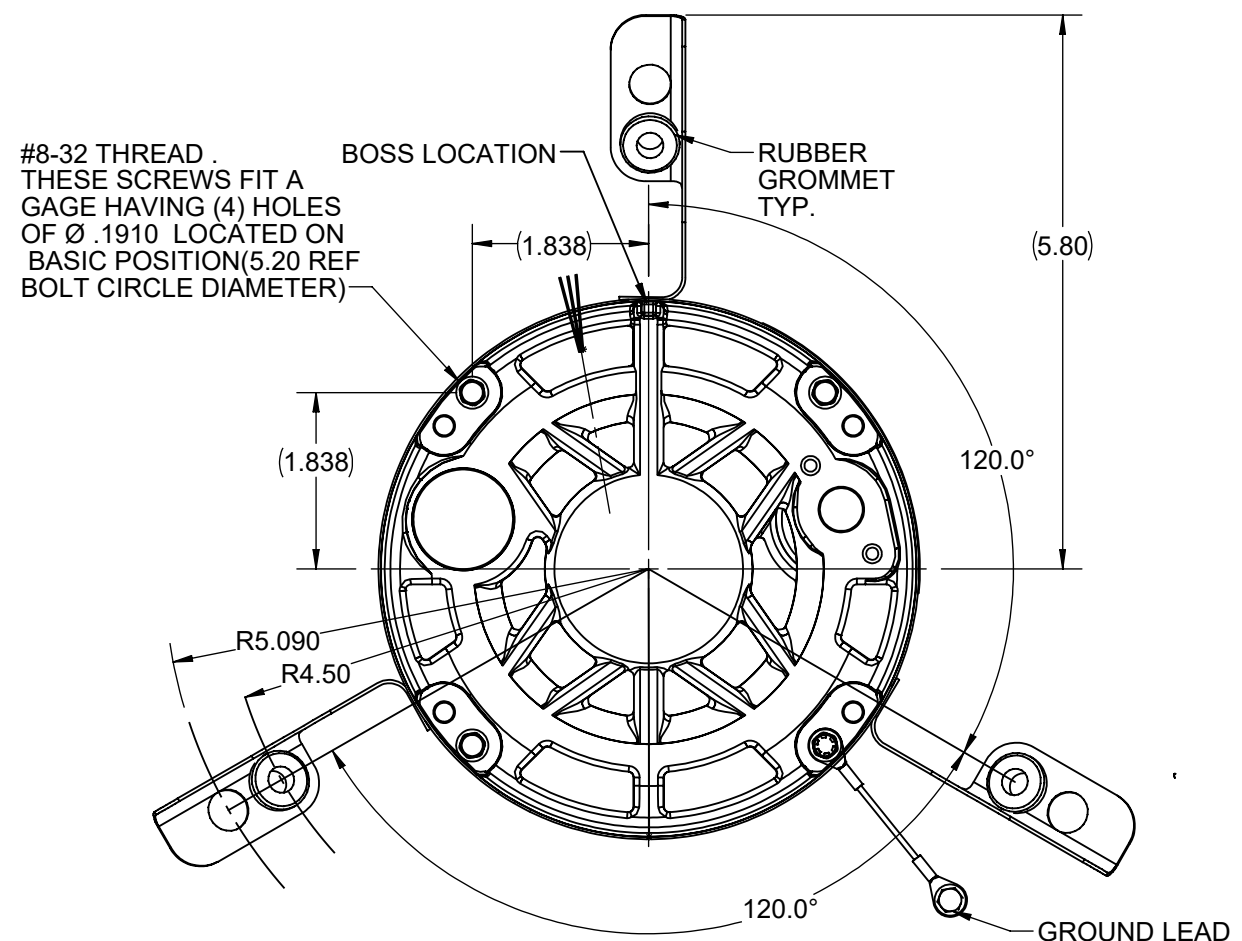
Technical Specifications

Electrical Type	Permanent Split Capacitor	Poles	6
Rotation	Counterclockwise/Clockwise	Mounting	Lug
Motor Orientation	Any	Drive End Bearing	Ball
Opp Drive End Bearing	Ball	Frame Material	Rolled Steel
Shaft Type	Flat	Overall Length	9.31 in
Frame Length	3.57 in	Shaft Diameter	0.500 in
Shaft Extension	5.00 in		
Connection Drawing	NP24X327722	Outline Drawing	5KCP39GGP730S

This is an uncontrolled document once printed or downloaded and is subject to change without notice. Date Created:02/10/2025

S.NO	CONNECTION	COLOR	EXIT TYPE	EXIT LOC (VIEWING LE)	GAGE	MATERIAL	WALL THK.	LENGTH	TERMINATION
1	COMMON LEAD	WHITE	SHELL NOTCH	3:00	18	THERMOPLASTIC	4/64	26.00	.50 BWS
2	CAPACITOR LEAD-S1	BROWN	SHELL NOTCH	3:00	18	THERMOPLASTIC	4/64	26.00	.25 SQC
3	CAPACITOR LEAD	BRN/WHT	SHELL NOTCH	3:00	18	THERMOPLASTIC	4/64	26.00	.25 SQC
4	HIGH SPEED LEAD	BLACK	SHELL NOTCH	3:00	18	THERMOPLASTIC	4/64	26.00	.50 BWS
5	MED.SPEED LEAD	BLUE	SHELL NOTCH	3:00	18	THERMOPLASTIC	4/64	26.00	.50 BWS
6	LOW SPEED LEAD	RED	SHELL NOTCH	3:00	18	THERMOPLASTIC	4/64	26.00	.50 BWS
7	CAPACITOR LEAD-S2	BROWN	E/S VENT	11:20	18	THERMOPLASTIC	4/64	5.00	.25 SQC
8	REV LEAD (MAIN)	PURPLE	E/S VENT	11:20	18	THERMOPLASTIC	4/64	5.00	.25 FISQC LO INS FORCE
9	REV.LEAD (RIGHT START)	YELLOW	E/S VENT	11:20	18	THERMOPLASTIC	4/64	5.00	.25 MALE ISQC
10	REV.LEAD (LEFT START)	ORANGE	E/S VENT	11:20	18	THERMOPLASTIC	4/64	5.00	.25 MALE ISQC
11	GROUND LEAD	GRN-YEL	CLAMP SCREW	4:30	18	THERMOPLASTIC	2/64	12.00	# 10.EYELET.

NAMEPLATE DATA	
MODEL	5KCP39GGP730S
CUST. P/N	STOCK NO 3783
HP	1/4
RPM	1075 (3 SPEED)
VOLTS	115
HZ	60
SPEEDS	3
AMPS	3.70
CAP. REQ'D-D1	7.5 µfd/370 VOLTS
CAP. REQ'D-D2	N/R
CONN.DRW#	NP24X327722
ROTATION	CCW/CW (VIEWED FROM LE)



- NOTE:
- 1) DIMENSIONS SHOWN ARE NOMINAL UNLESS OTHERWISE SPECIFIED.
 - 2) NAMEPLATE LABEL LOCATION: 315° - CENTER WITH RESPECT TO BOSS LOCATION -READ FROM LE
 - 3) THE THREE LUGS SHOULD FIT A CONICAL GAGE PLATE WITH THREE PINS Ø .25 LOCATED ON THE BASIC POSITIONS.
 - 4) MAX. VARIATION BETWEEN ALL LUG MOUNTING SURFACES IS .40".
 - 5) COIL LEADS WITH A RUBBER BAND 24A103243 LEAVING 6 INCHES FROM LEAD EXIT TO BUNDLE

			N/A	.14	3.00
			XD	XC	XR
9.31	5.00	4.50	N/A	3.57	4.23
C	N	K	LM	XA	XB

VENTILATION SYSTEM	
SHELL VENTS	OPEN
ENDSHIELD (OPP.LEAD END)	OPEN
ENDSHIELD (LEAD END)	OPEN

DRAWING REVISION	REVISION BY	REV DATE/© DATE
C		
REQUEST NUMBER	APPROVED BY	DATE
NMR-0212893		
REQUEST NUMBER DESCRIPTION		
SLEEVE TO BALL CHANGE PER NMR		
<small>COPYRIGHT (PER REVISION DATE) REGAL BELOIT AMERICA, INC. ALL RIGHTS RESERVED. PROPRIETARY AND CONFIDENTIAL INFORMATION - THIS DOCUMENT IS THE PROPERTY OF REGAL BELOIT AMERICA, INC. ("OWNER") AND CONTAINS OWNER'S PROPRIETARY INFORMATION. ANY PERSON, CORPORATION OR OTHER FIRM RECEIVING IT IS DEEMED, BY RECEIVING IT, TO AGREE THAT IT, AND/OR ANY PART OF IT, SHALL NOT BE DISCLOSED TO ANY PERSON, CORPORATION OR OTHER ENTITY, DUPLICATED, AND/OR USED, EXCEPT AS EXPRESSLY APPROVED IN WRITING IN ADVANCE BY OWNER. THIS DOCUMENT SHALL BE RETURNED TO OWNER UPON REQUEST. IT MAY BE SUBJECT TO CERTAIN RESTRICTIONS UNDER APPLICABLE EXPORT CONTROL LAWS AND REGULATIONS.</small>		

PRIMARY DIMENSIONS ARE INCH
mm DIMENSIONS IN [BRACKETS]
ARE FOR REFERENCE ONLY

DRAWN BY	TRSK
DATE	2/23/2022
APPROVED BY	TRSK
DATE	2/23/2022
REFERENCE	
THIRD ANGLE PROJECTION	

Regal Rexnord Regal Beloit America, Inc.

DESCRIPTION

OUTLINE
(CUST. NAME: DEFPUR)

MATERIAL PROCESS/FINISH

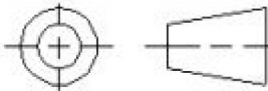
SIZE **B** DRAWING NUMBER **5KCP39GGP730S** SHEET 1 OF 1



THIRD ANGLE PROJECTION

REVISIONS

REV
SH



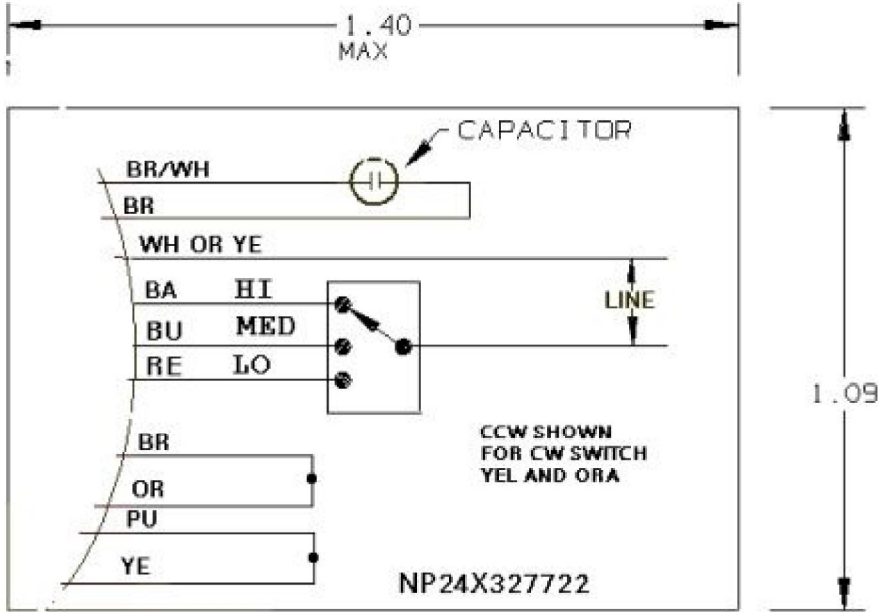
REV	DESCRIPTION	DATE	APPROVED
-----	-------------	------	----------

1 CAS 5/3/01 ELEC FORMAT

Uncontrolled Copy

CONFIDENTIAL AND PROPRIETARY

This document is the property of General Electric Company and contains proprietary and confidential information of the Motor Business Group (MBG). The document is loaned on the express conditions that neither the information contained herein shall be disclosed to others without the express consent of MBG and that the information shall be used by the recipient only as approved expressly by MBG. Also, the document shall be returned to MBG upon its request.



SIZE
A



NOTE: THIS DRAWING WILL BE ELECTRONICALLY REPRODUCED BY THE HVAC FAN MOTOR NAMEPLATE SYSTEM.

UNLESS OTHERWISE SPECIFIED DIMENSIONS ARE IN INCHES TOLERANCES ON: 2 PL DECIMALS ± 3 PL DECIMALS ± ANGLES ± FRACTIONS ±	SIGNATURES	DATE	<p>Fort Wayne, Indiana</p> <h1>NAMEPLATE LABEL</h1>
	DRAWN CAS 12/14/94	CHECKED	
MATERIAL:	ENDPG	ISSUED	SIZE FSCM NO DWG NO A NP24X327722
	CAD NO		SCALE 3 SHEET 1 OF 1
APPLIED PRACTICES:			

F39:XPB8



DISTR TO