

PRODUCT INFORMATION PACKET



Model No: 382B

Catalog No: 382B

Fan Coil & Air Conditioner Motor, 1/25-1/40-1/50 HP, 1 Ph, 60 Hz, 115 V, 1625 RPM, 3 Speed,
42 Frame, SEMI ENCLOSED



Regal and Century are trademarks of Regal Rexnord Corporation or one of its affiliated companies.
©2025 Regal Rexnord Corporation, All Rights Reserved. MC017097E





Nameplate Specifications

Phase	1	Output HP	1/25-1/40-1/50 Hp
Output KW	0.03 kW	Voltage	115 V
Speed	1625 rpm	Service Factor	1
Frame	42Y	Enclosure	Semi Enclosed
Thermal Protection	Automatic	Ambient Temperature	40 °C
Frequency	60 Hz	Current	.73/.49/.37 A
Duty	Continuous Air Over	Insulation Class	A
UL	Recognized	CSA	Y
CE	N	Number of Speeds	3

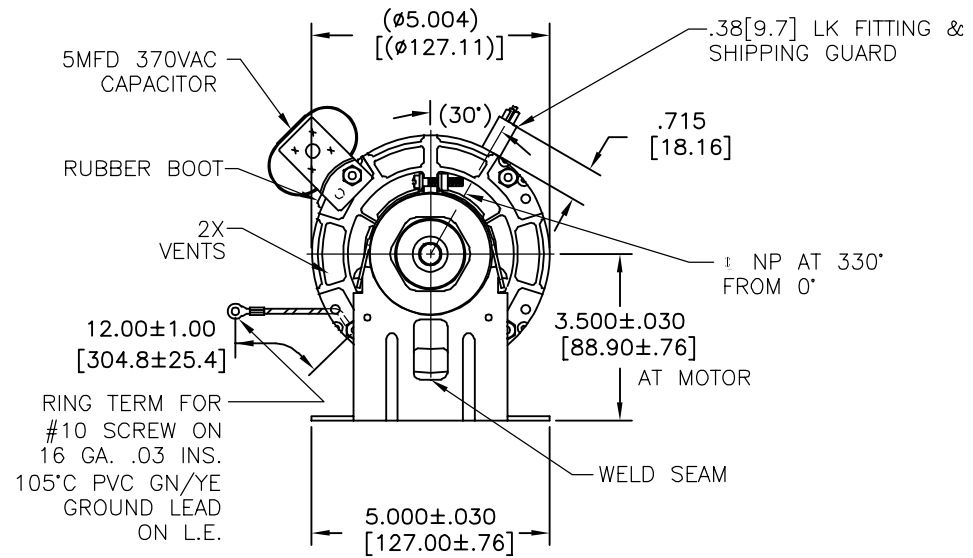
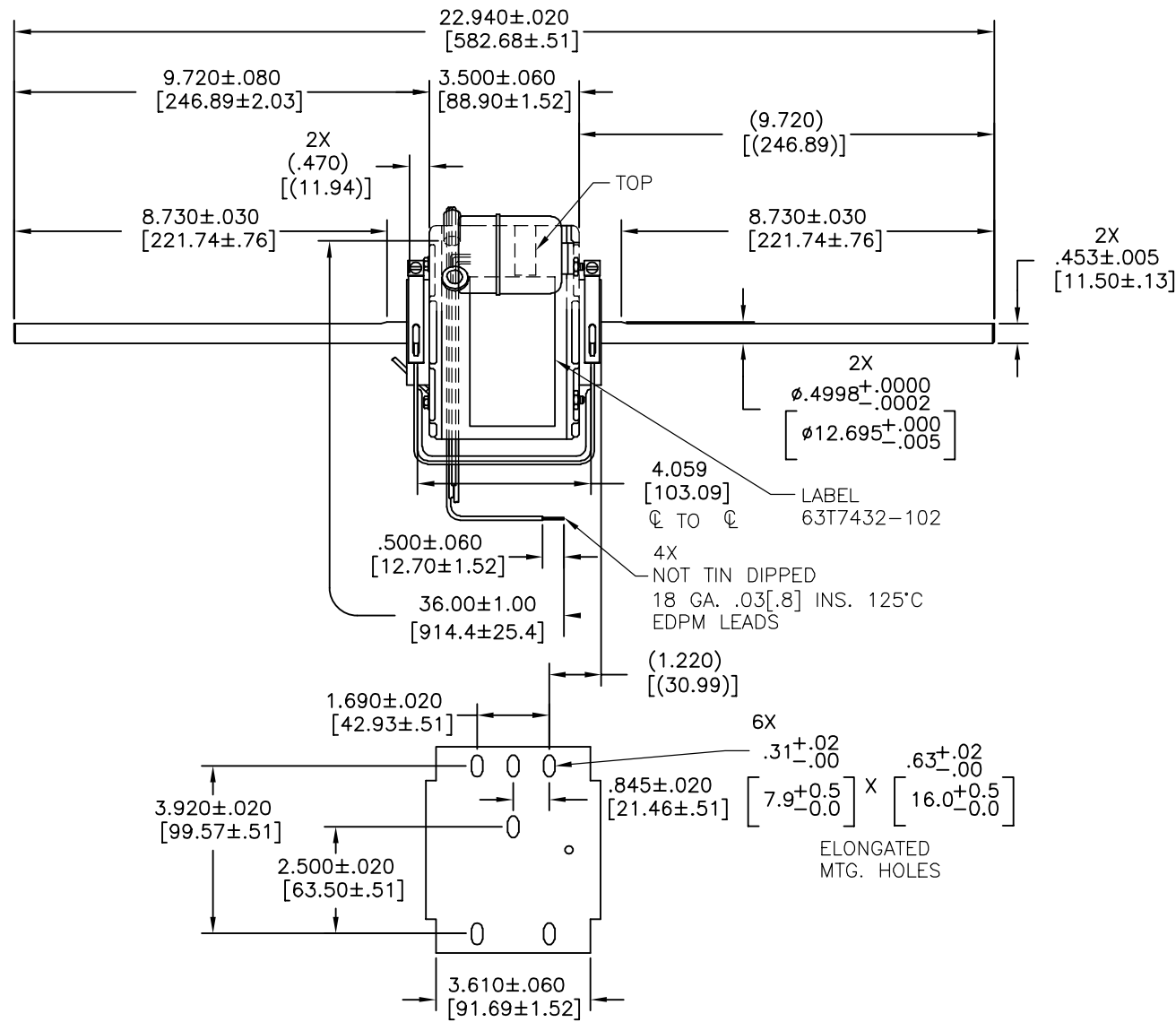
Technical Specifications

Electrical Type	Permanent Split Capacitor	Starting Method	Across The Line
Poles	4	Rotation	Clockwise Lead End
Mounting	Resilient Base	Motor Orientation	Horizontal
Drive End Bearing	Sleeve	Opp Drive End Bearing	Sleeve
Frame Material	Rolled Steel	Shaft Type	Flat
Overall Length	22.90 in	Frame Length	2.92 in
Shaft Diameter	0.500 in	Shaft Extension	9.7X.5X9.7 in
Outline Drawing	382B-S01		

This is an uncontrolled document once printed or downloaded and is subject to change without notice. Date Created:08/21/2025

CUSTOMER IS SOLELY RESPONSIBLE FOR MOTOR PERFORMANCE AND SUITABILITY IN APPLICATIONS FOR CUSTOMER'S USES.

END PLAY .005[.13] MIN - .040[1.02] MAX
 MAX. SHAFT RUN OUT .001[.03] PER INCH
 MAX. RUN OUT NOT TO EXCEED .0075[.191]



NOTE:

- DISTRIBUTION PART NUMBER: 382B
 GRAINGER PART NUMBER: 4UU14

SEE NOTE 1

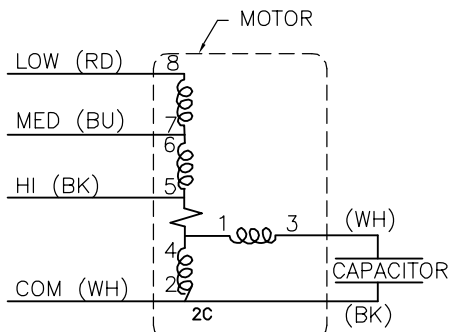
ROT.:— CWLE

NAMEPLATE DATA:

TIPP CITY, OHIO
 THERMALLY PROTECTED

SER. DATE & P0# PLT LTR MOD DE2D203N []
 VOLTS 115 HZ 60 AMPS .73
 RPM 1625 SP PH 1CAP
 INS CL A AMB 40 °C HP CONT A0 → ROTATION →
 BRG SLV ASSEMBLED IN MEXICO
 BK HI .73A 1/25HP
 BU MED .49A 1/40HP
 RD LOW .37A 1/50HP

SCHEMATIC-21



ELECTRICALLY PER SAMPLE
 S-9318D CURVE #32293

CONN. LABEL
 63T7432-102

DRAWING REVISION A	REVISION BY A. BAUGHMAN	DATE 02-09-2015	TOLERANCES UNLESS OTHERWISE SPECIFIED DEC. INCH mm ANGLE	DRAWN BY: A. BAUGHMAN	Regal Beloit America, Inc.
ECO ECO-0071313	APPROVED BY A. BAUGHMAN	DATE 02-09-2015	.XX ±0.02 [±0.51] .XXX ±0.005 [±0.127] .XXXX ±0.0005 [±0.0127]	DATE: 02-09-2015	
ECO DESCRIPTION NEW			REMOVE BURRS & BREAK SHARP EDGES .003/.015 [0.076/.381] CORNER FILLETS .02 [0.51] MACHINED SURFACES .125/ mm	APPROVED BY: A. BAUGHMAN	DESCRIPTION MODEL-RFHP-42FR OUTLINE
<small>COPYRIGHT REGAL BELOIT AMERICA, INC. ALL RIGHTS RESERVED. PROPRIETARY AND CONFIDENTIAL INFORMATION - THIS DOCUMENT IS THE PROPERTY OF REGAL BELOIT AMERICA, INC. (OWNER) AND CONTAINS OWNER'S PROPRIETARY INFORMATION. ANY PERSON, CORPORATION OR OTHER FIRM RECEIVING IT IS DEEMED, BY RECEIVING IT, TO AGREE THAT IT, AND/OR ANY PART OF IT, SHALL NOT BE DISCLOSED TO ANY PERSON, CORPORATION OR OTHER ENTITY, DUPLICATED, AND/OR USED, EXCEPT AS EXPRESSLY APPROVED IN WRITING IN ADVANCE BY OWNER. THIS DOCUMENT SHALL BE RETURNED TO OWNER UPON REQUEST. IT MAY BE SUBJECT TO CERTAIN RESTRICTIONS UNDER APPLICABLE EXPORT CONTROL LAWS AND REGULATIONS.</small>			THIRD ANGLE PROJECTION	DATE: 02-09-2015	MATERIAL PROCESS/FINISH
			mm SHOWN IN [BRACKETS]	REFERENCE	SIZE DWG NO C 382B
				THIRD ANGLE PROJECTION	SHEET 1