

# PRODUCT INFORMATION PACKET



Model No: 3892  
Catalog No: 3892  
1/2 HP Fan & Blower Motor, 1625 RPM, 3 Speed, 208-230 Volts, 48 Frame, OAO  
Fan and Blower Motors



Regal and Genteq are trademarks of Regal Rexnord Corporation or one of its affiliated companies.  
©2021 Regal Rexnord Corporation, All Rights Reserved. MC017097E





**Nameplate Specifications**

|                    |                     |                     |               |
|--------------------|---------------------|---------------------|---------------|
| Output HP          | 1/2 Hp              | Output KW           | 0.37 kW       |
| Frequency          | 60 Hz               | Voltage             | 208-230 V     |
| Current            | 3.00 A              | Speed               | 1625 rpm      |
| Service Factor     | 1                   | Phase               | 1             |
| Duty               | Continuous Air Over | Insulation Class    | A             |
| Frame              | 48                  | Enclosure           | Open Air Over |
| Thermal Protection | Thermally Protected | Ambient Temperature | 40 °C         |
| UL                 | No                  | CSA                 | N             |
| CE                 | N                   | Number of Speeds    | 3             |

**Technical Specifications**

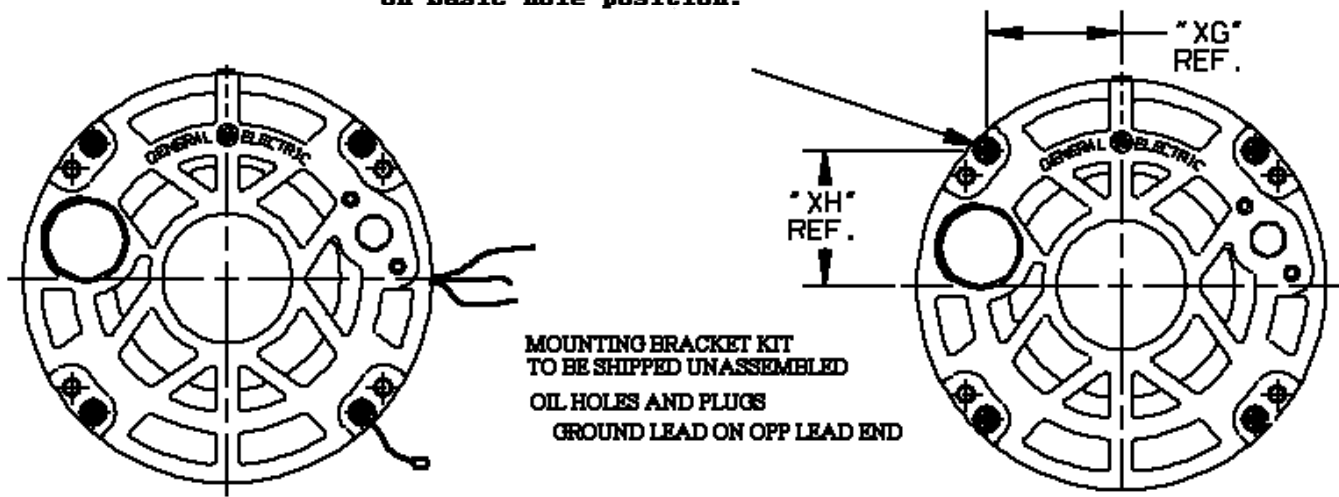
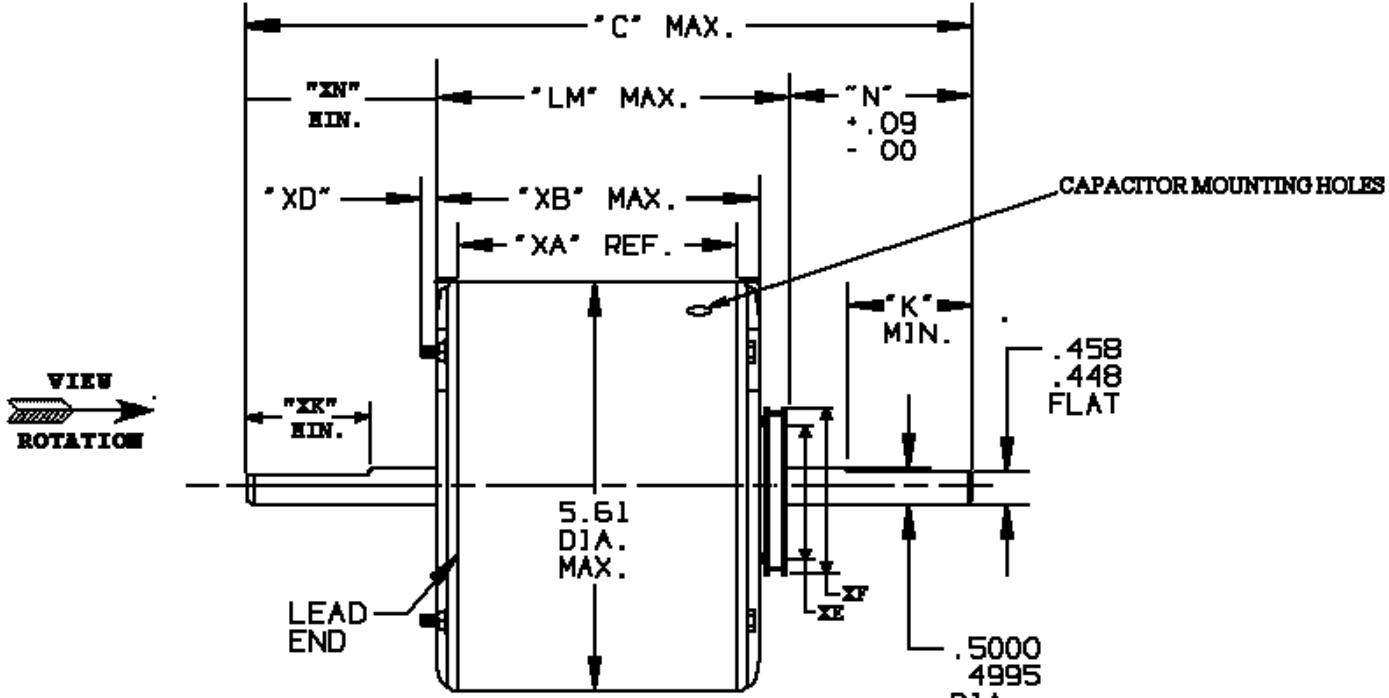
|                       |                           |                    |                 |
|-----------------------|---------------------------|--------------------|-----------------|
| Electrical Type       | Permanent Split Capacitor | Poles              | 4               |
| Rotation              | Counterclockwise          | Mounting           | Resilient Rings |
| Motor Orientation     | Horizontal                | Drive End Bearing  | Sleeve          |
| Opp Drive End Bearing | Sleeve                    | Frame Material     | Rolled Steel    |
| Shaft Type            | Flat                      | Overall Length     | 20.00 in        |
| Frame Length          | 4.32 in                   | Shaft Diameter     | 0.500 in        |
| Shaft Extension       | 7.00 in                   |                    |                 |
| Outline Drawing       | 5KCP39MG5313ET            | Connection Drawing | NP24X327721     |

This is an uncontrolled document once printed or downloaded and is subject to change without notice. Date Created:10/11/2021

**RDC PROPRIETARY AND CONFIDENTIAL INFORMATION**  
 This document is the property of REGAL-DELOIT CORPORATION ("RDC") and its subsidiaries and devices and contains proprietary information of RDC. The document is loaned to the recipient on the express condition that neither the information contained therein shall be disclosed to others without the express written consent of RDC and that the information shall be used by the recipient only as approved expressly by RDC. This document shall be returned to RDC upon its request. This document may be subject to certain restrictions under the US export control laws and regulations.

GE STOCK #3892

| REVISIONS |                                 |
|-----------|---------------------------------|
| REV       | DESCRIPTION                     |
| 1         | RAW02/11/81 STACK WAS 1"        |
| 2         | JAR 08/14/97 TO ELECTRIC FORMAT |
| 3         | CAS 01/09/01 REMOVE OLERS       |
| 4         | LOCO MODIFIED IS-05-1777 JS     |



**ADDITIONAL DETAILS [VIEWING LEAD END]**

Clampscrew position when "XC" or "XD" exceed .14"  
 If "XC" or "XD" = .14 it is a Max. dim.  
 but if greater than .14, value given is -.00/+.14.  
 If extra nuts are furnished for spacing,

|       |      |      |      |      |      |      |      |    |      |      |      |       |       |      |
|-------|------|------|------|------|------|------|------|----|------|------|------|-------|-------|------|
| 20.00 | 7.00 | 7.52 | 6.60 | 7.10 | 5.39 | 4.32 | 4.98 | -  | 1.50 | 2.22 | 2.25 | 1.838 | 1.838 | 6.87 |
| C     | N    | XN   | K    | XK   | LM   | XA   | XB   | XC | XD   | XE   | XF   | XG    | XH    | YO   |

CAD. NO. FR2N

ROTATION CCW VIEWED IN DIRECTION OF ARROW.  
 VENTILATION SYSTEM  
 SHELL OPEN BOTTOM 180°  
 OPPOSITE LEAD END SHIELD OPEN  
 LEAD END SHIELD OPEN  
 LEADS EXIT THRU SHELL @ 90 DEGREES FROM TOP OF MOTOR VIEWED IN DIRECTION OF ARROW

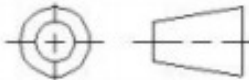
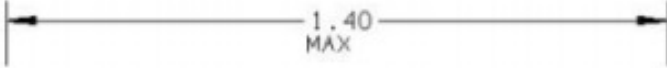
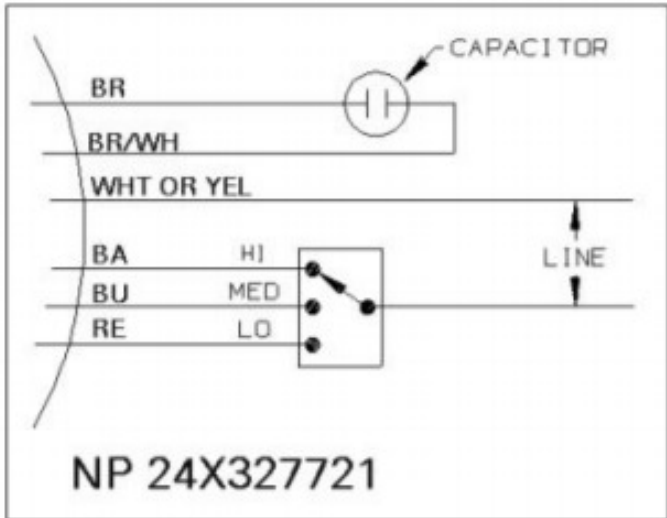



**MOTOR OUTLINE**

|       |                |        |             |       |    |
|-------|----------------|--------|-------------|-------|----|
| MODEL | 5KCP39MG5313ET | ISSUED | CAS 1/09/81 | SCALE | NO |
|-------|----------------|--------|-------------|-------|----|

CAD. NO. FR2N

(OLH60)

| REV   | THIRD ANGLE PROJECTION  | REVISIONS  |             |  |          |
|---|---|--|-------------|--|----------|
| SH  |    | REV  | DESCRIPTION | DATE   | APPROVED |
| SIZE  | DWG NO  | Uncontrolled Copy  |             |  |          |
| A   | <p><b>CONFIDENTIAL AND PROPRIETARY</b></p> <p>This document is the property of General Electric Company and contains proprietary and confidential information of the Motor Business Group (MBG). The document is loaned on the express condition that neither it nor the information contained therein shall be divulged to others without the express consent of MBG and that the information shall be used by the recipient only as approved in writing by MBG. Also, the document shall be returned to MBG upon its request.</p> |  |             |  |          |
|   |   |   |             |  |          |
|   |   |  |             |  |          |
|   |   | NP 24X327721   |             |  |          |
| <p>NOTE: THIS DRAWING WILL BE ELECTRONICALLY REPRODUCED BY THE HVAC FAN MOTOR NAMEPLATE SYSTEM.</p> |   |  |             |  |          |
| UNLESS OTHERWISE SPECIFIED  |   | SIGNATURES   |             | DATE   |          |
| DIMENSIONS ARE IN INCHES  |   | DRAWN CASCHUTT   |             | 12/14/94   |          |
| TOLERANCES ON:  |   | CHECKED  |             | <br>Fort Wayne, Indiana |          |
| 2 PL. DECIMALS ±  |   | ENGRD  |             |  |          |
| 3 PL. DECIMALS ±  |   | ISSUED   |             |  |          |
| ANGLES ±  |   |  |             | NAMEPLATE LABEL  |          |
| PRACTICES ±   |   |  |             | NP 24X327721   |          |
| MATERIAL  |   | CAD NO   |             | SIZE   | FSCM NO  |
| APPLIED PRACTICES   |   |  |             | A  |          |
|   |   |  |             | SCALE  | SHEET    |
|   |   |  |             | 3  | 1 OF 1   |
| F39: XNP8   |   |  |             | DISTR TO   |          |