

# PRODUCT INFORMATION PACKET



Model No: 3920  
Catalog No: 3920

OEM Replacement Motor, .4 HP, 1 Ph, 60 Hz, 380-415/460 V, 1075 RPM, 1 Speed, 48 Frame, TEAO



Regal and Genteq are trademarks of Regal Rexnord Corporation or one of its affiliated companies.  
©2022 Regal Rexnord Corporation, All Rights Reserved. MC017097E





**Nameplate Specifications**

Output HP	<b>.4 Hp</b>	Output KW	<b>0.30 kW</b>
Frequency	<b>60 Hz</b>	Voltage	<b>380-415/460 V</b>
Current	<b>1.40 A</b>	Speed	<b>1075 rpm</b>
Service Factor	<b>1</b>	Phase	<b>1</b>
Duty	<b>Continuous Air Over</b>	Insulation Class	<b>B</b>
Frame	<b>48</b>	Enclosure	<b>Totally Enclosed Air Over</b>
Thermal Protection	<b>Thermally Protected</b>	Ambient Temperature	<b>40 °C</b>
UL	<b>Recognized</b>	CSA	<b>Y</b>
CE	<b>N</b>	Number of Speeds	<b>1</b>

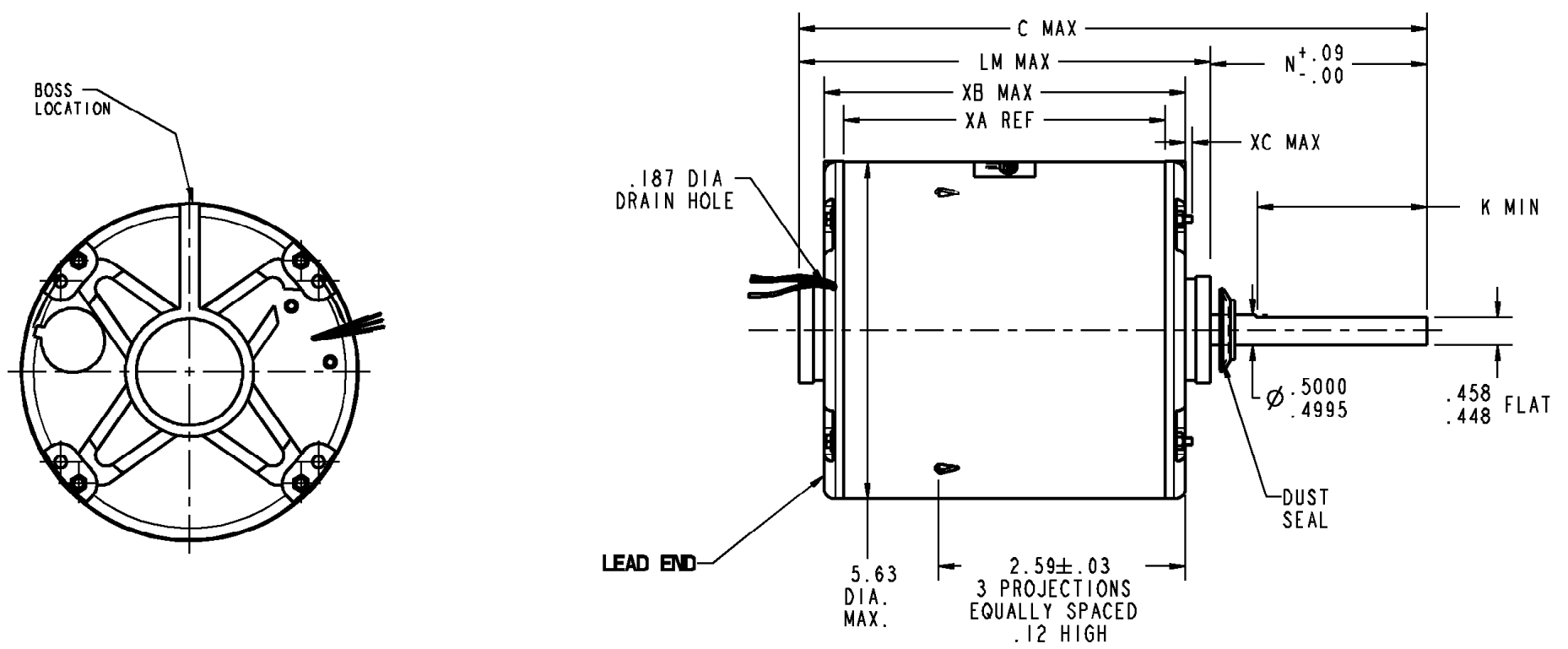
**Technical Specifications**

Electrical Type	<b>Permanent Split Capacitor</b>	Poles	<b>6</b>
Rotation	<b>Counterclockwise</b>	Mounting	<b>Lug</b>
Motor Orientation	<b>Vertical Shaft Up</b>	Drive End Bearing	<b>Sleeve</b>
Opp Drive End Bearing	<b>Sleeve</b>	Frame Material	<b>Rolled Steel</b>
Shaft Type	<b>Flat</b>	Overall Length	<b>10.39 in</b>
Frame Length	<b>5.32 in</b>	Shaft Diameter	<b>0.500 in</b>
Shaft Extension	<b>3.50 in</b>		
Connection Drawing	<b>NP24X327587</b>	Outline Drawing	<b>5KCP39RFY828S</b>

This is an uncontrolled document once printed or downloaded and is subject to change without notice. Date Created:11/29/2022

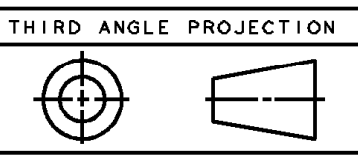
NAME: 100036649 OBJECT: 5KCP39RFY828S DATE: 21-Aug-12 17:53:09

VENTILATION SYSTEM		RBC PROPRIETARY AND CONFIDENTIAL INFORMATION This document is the property of REGAL BELOIT CORPORATION ("RBC") including its subsidiaries and divisions and contains proprietary information of RBC. This document is loaned on the express condition that neither it nor the information contained therein shall be disclosed to others without the express written consent of RBC, and that the information shall be used by the recipient only as approved expressly by RBC. This document shall be returned to RBC upon its request. This document may be subject to certain restrictions under U.S. export control laws and regulations.	REVISIONS			
SHELL VENTS	CLOSED		REV.	DESCRIPTION	DATE	APPROVED
ENDSHIELD (OPP. LEAD END)	CLOSED		1	RELEASED TP PROD. PER IS:08-1084	3/14/08	AMOL
ENDSHIELD (LEAD END)	CLOSED					



NOTE:  
1. DIMENSIONS SHOWN ARE NOMINAL UNLESS OTHERWISE SPECIFIED.

	N/A	N/A	.14	N/A	N/A
	XE	XF	XC	XD	YO
	10.39	3.50	2.80	N/A	N/A
	C	N	K	XN	XK
				LM	XA
					XB



SNO	CONNECTION	COLOR	EXIT TYPE	EXIT LOC (VIEWING LE)	GAGE	MATERIAL	WALL THK	LENGTH	TERMINATION
1	COMMON LEAD	PURPLE	E/S LEAD HOLE	2:30	18	EPDM	4/64	43.00	.25 SOC PREMIER
2	CAPACITOR LEAD	BROWN	E/S LEAD HOLE	2:30	18	EPDM	4/64	43.00	.25 SOC PREMIER
3	HIGH SPEED LEAD	BLACK	E/S LEAD HOLE	2:30	18	EPDM	4/64	48.00	.25 SOC PREMIER

NAMEPLATE DATA	
MODEL	5KCP39RFY828S
CUST P/N	STOCK NO 3920
HP	.4
RPM	1075
VOLTS	380-415/460
HZ	60/50
SPEEDS	1
AMPS	1.40
CAP REQD-1	5.00µfd/440Volts
CAP REQD-2	N/R
CONN. DRW	NP24X327587
ROTATION	CCW (VIEWED FROM LE)

**REGAL-BELOIT CORPORATION**  
FORTWAYNE, INDIANA

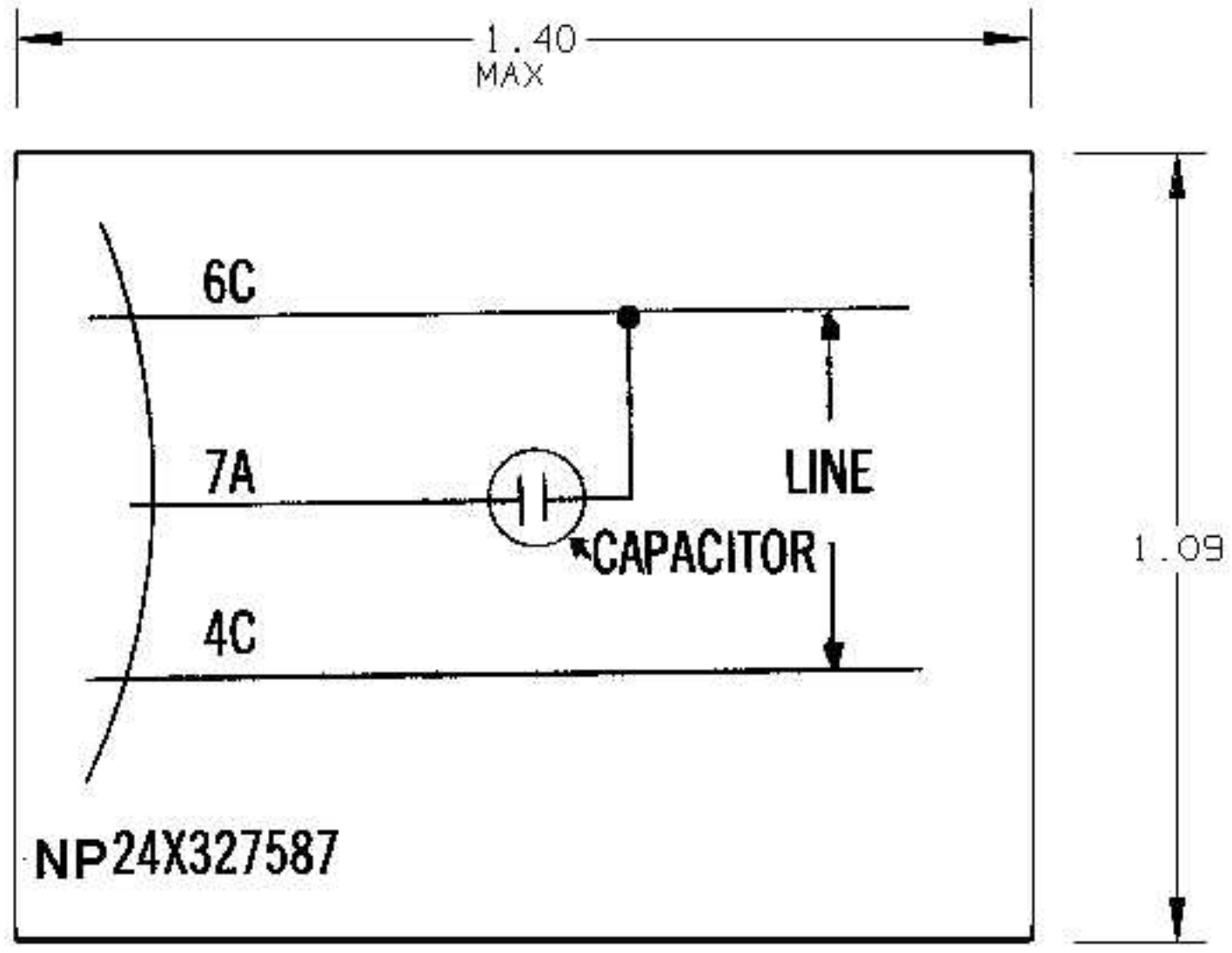
TITLE: **MOTOR OUTLINE**  
( CUSTOMER NAME : DEF PUR )

SIZE B DRAWING **5KCP39RFY828S** REV 1

SCALE: .40 ISSUED: 8/21/12 SHEET 1 of 1

**RBC PROPRIETARY STATEMENT**  
This document is the property of REGAL-BELOIT Corporation ("RBC") including its subsidiaries and divisions and contains proprietary information of RBC. This document is loaned on the express condition that neither it nor the information contained therein shall be disclosed to others without the express written consent of RBC, and that the information shall be used by the recipient only as approved expressly by RBC. This document shall be returned to RBC upon its request. This document may be subject to certain restrictions under the U.S. export control law and regulations.


REVISIONS	
REV	DESCRIPTION
1	Convert to RBC Format JAR 10 2005



**TYPE FACE:** COLORS OR NUMBERS DENOTING LEAD IDENTIFICATION AND N.P. NUMBER ARE TO BE 18 POINT NEWS GOTHIC CONDENSED. OTHER INFORMATION SHOULD BE 18 POINT IF SPACE ALLOWS, OTHERWISE USE 14 POINT.

**MATERIALS:** 4 MIL WHITE VINYL ADHESIVE STOCK GE SPEC A50FG41-S1  
BLACK INK GE SPEC A50FM48

**NOTE:** THE BOX LINES AND DIMENSIONS REPRESENT THE SIZE OF THE TAPE TO BE USED. DO NOT INCLUDE THESE IN STAMP FORMAT.

 <b>REGAL</b> BELOIT REGAL-BELOIT CORPORATION	
<b>CONNECTION DIAGRAM</b>	
FILE:	DPC #
<b>NP 24X327587</b>	ISSUED: <b>CAS 4/89</b> SCALE: <b>NO</b>