

PRODUCT INFORMATION PACKET



Model No: 3989

Catalog No: 3989

Fan and Blower Motor, 3/4 HP, 1 Ph, 60 Hz, 115 V, 1075 RPM, 3 Speed, 48 Frame, OPAO



Regal and Genteq are trademarks of Regal Rexnord Corporation or one of its affiliated companies.
©2025 Regal Rexnord Corporation, All Rights Reserved. MC017097E





Nameplate Specifications

Phase	1	Output HP	3/4 Hp
Voltage	115 V	Speed	1075 rpm
Service Factor	1	Frame	48
Enclosure	Open Air Over	Thermal Protection	Thermally Protected
Ambient Temperature	40 °C	Frequency	60 Hz
Current	10.00 A	Duty	Continuous Air Over
Insulation Class	B	UL	Recognized
CSA	Y	CE	N
Number of Speeds	3		

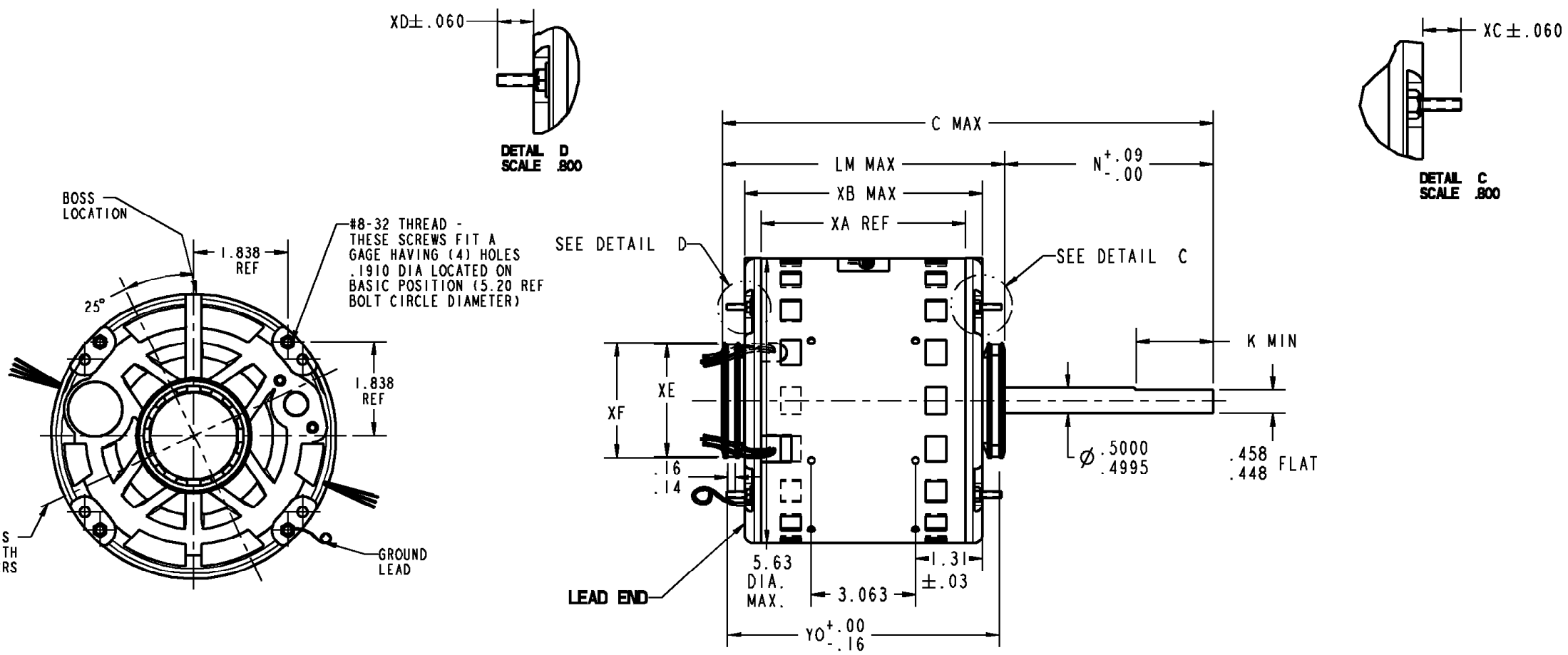
Technical Specifications

Electrical Type	Permanent Split Capacitor	Poles	6
Rotation	Counterclockwise/Clockwise	Mounting	Resilient Rings
Motor Orientation	Any	Drive End Bearing	Ball
Opp Drive End Bearing	Ball	Frame Material	Rolled Steel
Shaft Type	Double Flat	Overall Length	13.14 in
Frame Length	5.07 in	Shaft Diameter	0.500 in
Shaft Extension	6.50 in		
Outline Drawing	5KCP39RGG04BS	Connection Drawing	NP24X327722

This is an uncontrolled document once printed or downloaded and is subject to change without notice. Date Created:02/10/2025

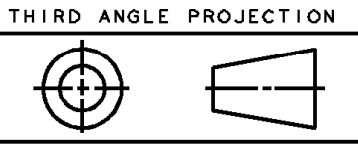
NAME: 100020344 OBJECT: 5KCP39RGGBB04BS DATE: 09-Dec-11 17:10:09

VENTILATION SYSTEM		RBC PROPRIETARY AND CONFIDENTIAL INFORMATION This document is the property of REGAL BELOIT CORPORATION ("RBC") including its subsidiaries and divisions and contains proprietary information of RBC. This document is loaned on the express condition that neither it nor the information contained therein shall be disclosed to others without the express written consent of RBC, and that the information shall be used by the recipient only as approved expressly by RBC. This document shall be returned to RBC upon its request. This document may be subject to certain restrictions under U.S. export control laws and regulations.	REVISIONS			
SHELL VENTS	OPEN		REV.	DESCRIPTION	DATE	APPROVED
ENDSHIELD (OPP. LEAD END)	OPEN		1	REL TO PROD PER IS:11-2171	12/09/11	PRANEETH
ENDSHIELD (LEAD END)	OPEN					



NOTE:
1. DIMENSIONS SHOWN ARE NOMINAL UNLESS/OTHERWISE SPECIFIED.

			2.22	2.25	.75	.75	6.390
			XE	XF	XC	XD	YO
13.14	6.50	5.50	N/A	N/A	6.59	5.07	5.73
C	N	K	XN	XK	LM	XA	XB



SNO	CONNECTION	COLOR	EXIT TYPE	EXIT LOC (MEMO LB)	QMT	MATERIAL	WALL THK	LENGTH	TERMINATION
1	COMMON LEAD	WHITE	SHELL NOTCH	3:40	18	THERMOPLASTIC	4/64	30.00	.50 BWS
2	REV LEAD	YELLOW	SHELL NOTCH	9:40	18	VULKENE	2/64	4.00	MALE REVERSING PLUG
3	CAPACITOR LEAD	BRN/WHT	SHELL NOTCH	3:40	18	THERMOPLASTIC	4/64	30.00	.25 FOC
4	REV LEAD	ORANGE	SHELL NOTCH	9:40	18	VULKENE	2/64	4.00	MALE REVERSING PLUG
5	CAPACITOR LEAD	BROWN	SHELL NOTCH	3:40	18	THERMOPLASTIC	4/64	30.00	.25 FOC
6	REV LEAD	BROWN	SHELL NOTCH	9:40	18	VULKENE	2/64	4.00	FEMALE REVERSING PLUG
7	HIGH SPEED LEAD	BLACK	SHELL NOTCH	3:40	18	THERMOPLASTIC	4/64	30.00	.50 BWS
8	MED SPEED LEAD	BLUE	SHELL NOTCH	3:40	18	THERMOPLASTIC	4/64	30.00	.50 BWS
9	LOW SPEED LEAD	RED	SHELL NOTCH	3:40	18	THERMOPLASTIC	4/64	30.00	.50 BWS
10	REV LEAD	PURPLE	SHELL NOTCH	9:40	18	VULKENE	2/64	4.00	FEMALE REVERSING PLUG
11	GROUND	GRN-YEL	CLAMPSCREW	4:30	18	THERMOPLASTIC	2/64	12.00	#10 EYELET

REGAL BELOIT CORPORATION FORTWAYNE, INDIANA

MOTOR OUTLINE
(CUSTOMER NAME : DEF PUR)

MODEL: 5KCP39RGGBB04BS
CUST P/N: STOCK NO 3989
HP: 3/4
RPM: 1075
VOLTS: 115
HZ: 60
SPEEDS: 3
AMPS: 10.00
CAP REQD-1: 15.00µfd/370Volts
CAP REQD-2: N/R
CONN. DRW: NP24X327122
ROTATION: CCW/CW (VIEWED FROM LE)

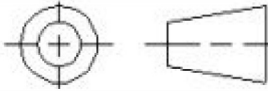
SIZE B DRAWING 5KCP39RGGBB04BS REV 1
SCALE: NO ISSUED: 12/09/11 SHEET 1 of 1



THIRD ANGLE PROJECTION

REVISIONS

REV
SH

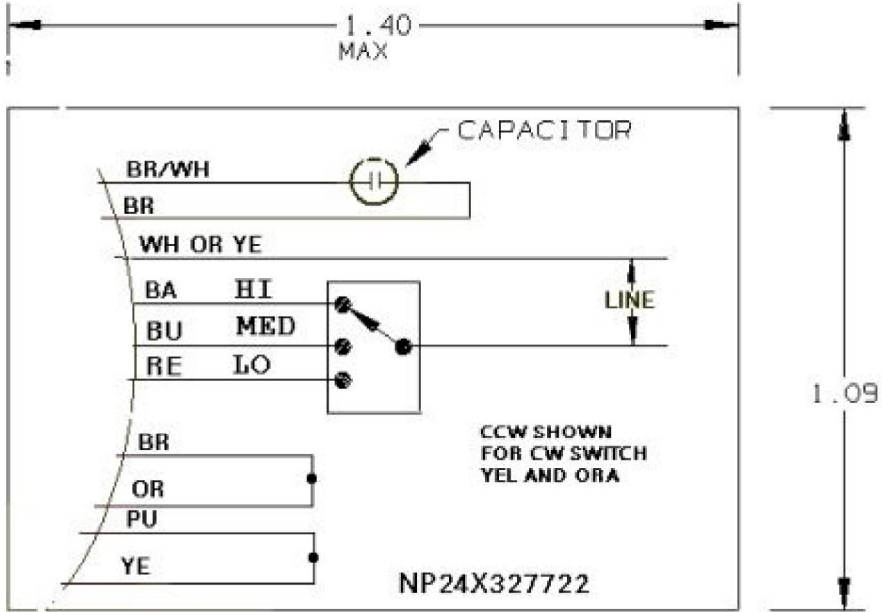


REV	DESCRIPTION	DATE	APPROVED
1	CAS 5/3/01 ELEC FORMAT		

Uncontrolled Copy

CONFIDENTIAL AND PROPRIETARY

This document is the property of General Electric Company and contains proprietary and confidential information of the Motor Business Group (MBG). The document is loaned on the express conditions that neither the information contained herein shall be disclosed to others without the express consent of MBG and that the information shall be used by the recipient only as approved expressly by MBG. Also, the document shall be returned to MBG upon its request.



SIZE
A



NOTE: THIS DRAWING WILL BE ELECTRONICALLY REPRODUCED BY THE HVAC FAN MOTOR NAMEPLATE SYSTEM.

UNLESS OTHERWISE SPECIFIED	SIGNATURES	DATE
DIMENSIONS ARE IN INCHES TOLERANCES ON: 2 PL DECIMALS ± 3 PL DECIMALS ± ANGLES ± FRACTIONS ±	DRAWN	CAS 12/14/94
	CHECKED	
	ENGRD	
	ISSUED	
MATERIAL:		
APPLIED PRACTICES:	CAD NO	



NAMEPLATE LABEL

SIZE	FSCM NO	DWG NO
A		NP24X327722
SCALE	3	SHEET 1 OF 1

DISTR TO

F39:XPB8

