

PRODUCT INFORMATION PACKET



Model No: 399A
Catalog No: 399A

1/3-1/4-1/5 HP OEM Replacement Motor, 1365 RPM, 3 Speed, 230 Volts, 48 Frame, Semi Enclosed
OEM Replacement Motors



Regal and Century are trademarks of Regal Rexnord Corporation or one of its affiliated companies.
©2021 Regal Rexnord Corporation, All Rights Reserved. MC017097E





Nameplate Specifications

Output HP	1/3,1/4,1/5 Hp	Output KW	0.25 kW
Frequency	60 Hz	Voltage	230 V
Current	2.7,2.0,1.6 A	Speed	1365 rpm
Service Factor	1	Phase	1
Duty	Air Over	Insulation Class	B
Frame	48Y	Enclosure	Semi Enclosed
Thermal Protection	Automatic	Ambient Temperature	60 °C
UL	Recognized	CSA	Y
CE	N	Number of Speeds	3

Technical Specifications

Electrical Type	Permanent Split Capacitor	Starting Method	Across The Line
Poles	4	Rotation	Counterclockwise Lead End
Mounting	Extended Studs	Motor Orientation	Horizontal
Drive End Bearing	Sleeve	Opp Drive End Bearing	Sleeve
Frame Material	Rolled Steel	Shaft Type	Flat
Overall Length	19.75 in	Frame Length	3.88 in
Shaft Diameter	0.500 in	Shaft Extension	7.51 in
Outline Drawing	F48Z82A01-S01	Connection Drawing	614131-296

This is an uncontrolled document once printed or downloaded and is subject to change without notice. Date Created:10/07/2021

4

3

2

1

GENERAL INFORMATION:

SHAFT RUNOUT: .001 [.03] T.I.R. PER INCH LENGTH OF EXTENSION

END PLAY: .010 TO .063 [.25 TO 1.60]

BEARINGS: SLEEVE

MOUNTING POSITION: HORIZONTAL

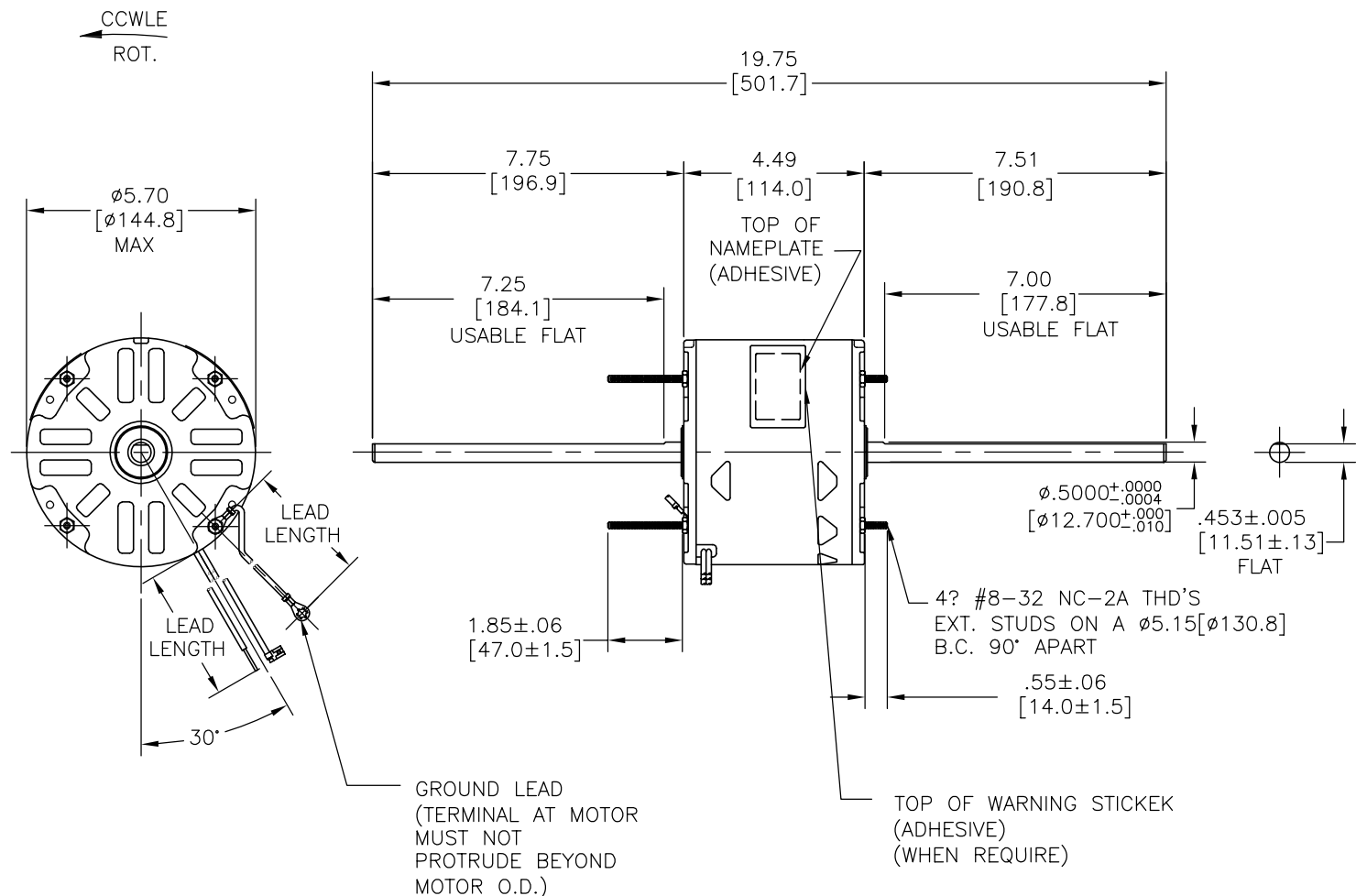
ELECTRICAL DATA:

OVERLOAD PROTECTOR: AUTOMATIC RESET (T.I. 7AM 036)

LEADS: NO. 18 GA., .06 [1.5] THK. PVC 105°C INSUL.

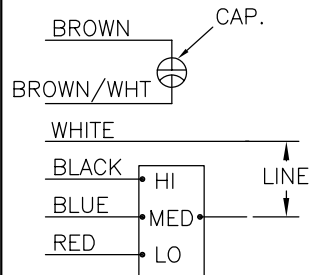
GROUND LEAD: NO. 18 GA., .03 [.8] THK. (GREEN/YELLOW) INSUL.

REV	REFERENCE ECN	REFERENCE PROJECT	REV BY	DATE	APPD	DATE
A	00009104	0702442	Caddie	08/24/2007		



NAMEPLATE DATA: EXTERNAL CONNECTION DIAGRAM

MODEL NO.: F48Z82A01
 CUST. P/N: 399A
 HP: 1/3,1/4,1/5
 ROT.: CCWLE
 RPM: 1365
 TYPE: UF
 FRAME: 48Y
 VOLTS: 230
 PH: 1
 AMPS: 2.7,2.0,1.6
 HZ: 60
 INS.: B
 AMB.: 60 °C
 DUTY: AIR OVER
 CAP.: 5 MFD/370V
 ENCL: SEMI-ENCL.
 UL LOGO
 CSA LOGO
 THERMALLY PROTECTED



614131-296

PERFORMANCE CURVE NO.	TORQUE @ 1365 RPM (25°C)	APPROVED SAMPLE	UL COMPONENT		CSA	
C32749	25.5 OZ. FT.	0604223B	FILE #	CCN#	FILE #	CLASS #
			E46412	PRGY2	LR43341	4211-01

GRN/YEL(GRD)	11.0/13.0 [279/330]	#10 EYELET
BROWN	25.5/27.5 [648/699]	.25[6.4] FLAG
BROWN/WHITE	25.5/27.5 [648/699]	.25[6.4] FLAG
WHITE	25.5/27.5 [648/699]	.50[12.7] SKIN
BLACK	25.5/27.5 [648/699]	.50[12.7] SKIN
BLUE	25.5/27.5 [648/699]	.50[12.7] SKIN
RED	25.5/27.5 [648/699]	.50[12.7] SKIN
COLOR	LENGTH	TERMINAL OR STRIP LENGTH

MAIN FRAME - OLE	SEMI-ENCLOSED
END FRAME - OLE	OPEN
MAIN FRAME - LE	SEMI-ENCLOSED
END FRAME - LE	OPEN

CUSTOMER	DISTRIBUTION SERVICES
----------	-----------------------

GEOMETRIC CHARACTERISTICS & SYMBOLS

- ▮ FLATNESS
- STRAIGHTNESS
- ∠ ANGULARITY
- ⊥ PERPENDICULARITY (SQUARENESS)
- ∥ PARALLELISM
- ROUNDNESS (CIRCULARITY)
- ⊘ CYLINDRICITY
- △ PROFILE OF ANY SURFACE
- ∩ PROFILE OF ANY LINE
- ↗ RUNOUT
- ⊕ TRUE POSITION
- ◎ CONCENTRICITY
- ≡ SYMMETRY

A.O. SMITH PROVIDES TECHNICAL ASSISTANCE TO OUR CUSTOMERS IN SEVERAL AREAS. SINCE A.O. SMITH DOES NOT RECEIVE ALL DATA CONCERNING THE USE AND APPLICATION OF THE MOTOR, THE SUITABILITY OF THE MOTOR FOR THE APPLICATION MUST BE DETERMINED BY THE CUSTOMER.

DIMENSIONS WITHOUT TOLERANCES ARE FOR REFERENCE ONLY.

DR BY: CADDIE.ZHOU 08-08-2007

APPD:

THIRD ANGLE PROJECTION

EDS DATE 01-21-2007
 FORMAT REV E

CONFIDENTIAL: THIS DRAWING AND ITS INFORMATION ARE THE EXCLUSIVE AND CONFIDENTIAL PROPERTY OF A.O. SMITH CORP. AND ARE NOT TO BE DISCLOSED, DUPLICATED, DISTRIBUTED OR OTHERWISE USED WITHOUT THE WRITTEN CONSENT OF A.O. SMITH CORP.
 -ALL RIGHTS RESERVED. ASME Y14.5M 1994

A.O. SMITH
 ELECTRICAL PRODUCTS COMPANY
 TIPP CITY, OHIO

A DIVISION OF A. O. SMITH CORPORATION

DESCRIPTION: **OUTLINE**

SIZE: C DWG NO: F48Z82A01

SCALE: NONE SHEET: 1

4

3

2

1

4

3

2

1

INFORMACION GENERAL:

OSCILACION DE FLECHA: .001 [.03] T.I.R. PER INCH LENGTH OF EXTENSION

JUEGO AXIAL: .010 A .063 [.25 A 1.60]

BALEROS: MANGA

POSICION DEL MONTAJE: HORIZONTAL

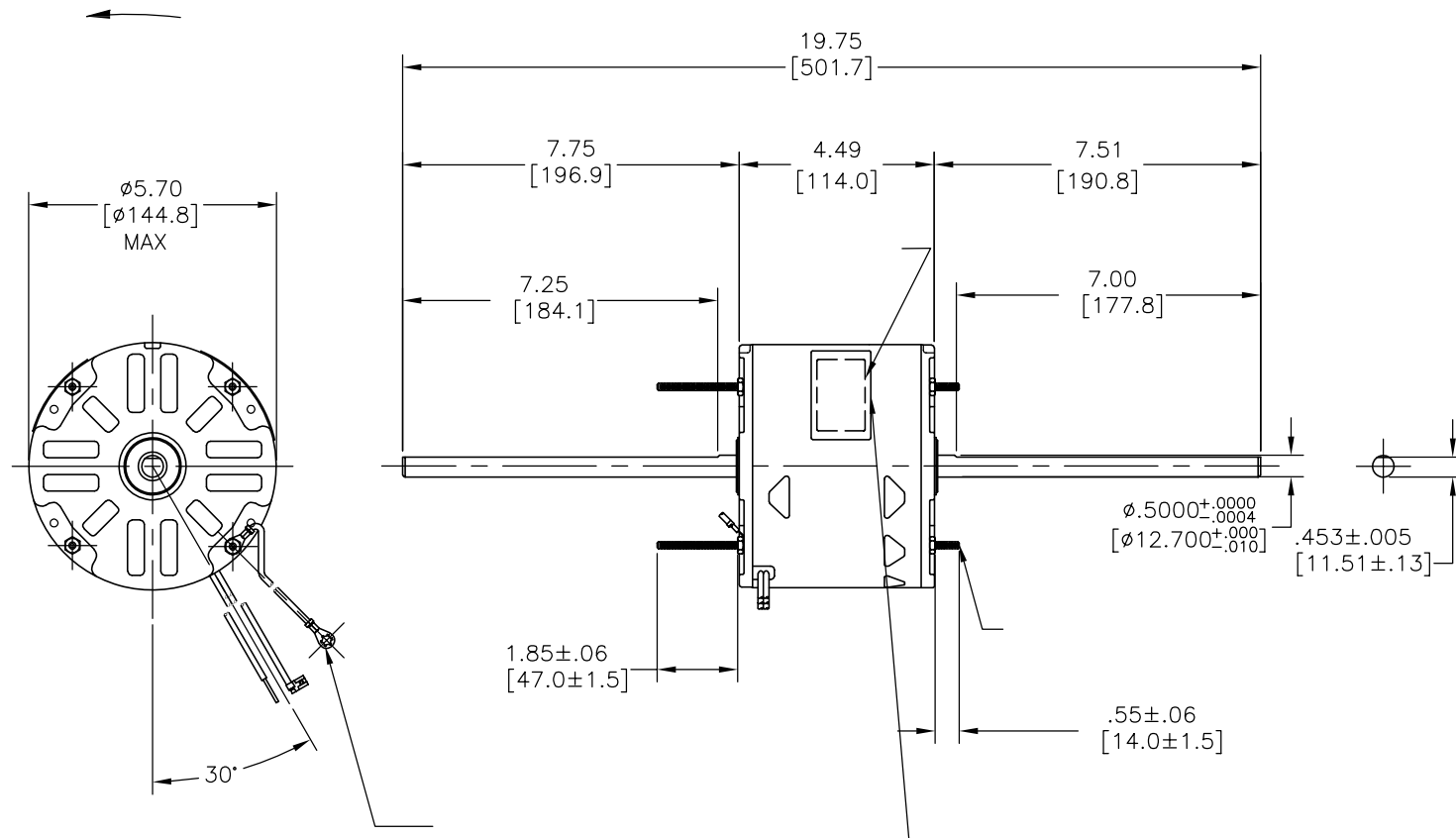
INFORMACION ELECTRICA:

SOBRECARGA DEL PROTECTOR: REINICIO AUTOMATIC (T.I. 7AM 036)

CABLES: NO. 18 GA., .06 [1.5] THK. PVC 105°C AISLAM.

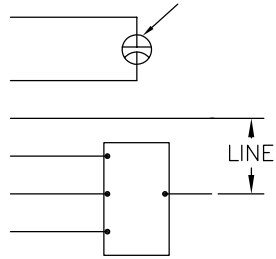
CABLE DE TIERRA: NO. 18 GA., .03 [.8] THK. (VERDE) AISLAM.

REVISION:	ECN REFERENCIA:	PROYECTO REFERENCIA:	REVISADO POR:	FECHA:	APROBADO POR:	FECHA:
A	00009104	0702442	Caddie	08/24/2007		



INFORMACION DE ETIQUETA: DIAGRAMA DE CONEXION EXTRNA

MODEL NO.: F48Z82A01
 CUST. P/N: 399A
 HP: 1/3,1/4,1/5
 ROT.: CCWLE
 RPM: 1365
 TYPE: UF
 FRAME: 48Y
 VOLTS: 230
 PH: 1
 AMPS: 2.7,2.0,1.6
 HZ: 60
 INS.: B
 AMB.: 60 °C
 DUTY: AIR OVER
 CAP.: 5 MFD/370V
 ENCL: SEMI-ENCL.
 UL LOGO
 CSA LOGO
 THERMALLY PROTECTED



614131-296

	11.0/13.0 [279/330]	#10 EYELET
	25.5/27.5 [648/699]	.25[6.4] FLAG
	25.5/27.5 [648/699]	.25[6.4] FLAG
	25.5/27.5 [648/699]	.50[12.7] SKIN
	25.5/27.5 [648/699]	.50[12.7] SKIN
	25.5/27.5 [648/699]	.50[12.7] SKIN
	25.5/27.5 [648/699]	.50[12.7] SKIN
	LONGITUD	TERMINAL O LONGITUD DE DESFORRE

DE CARCASA - OLE	
DE TAPA - OLE	
DE CARCASA - LE	
DE TAPA - LE	

CLIENTE	DISTRIBUTION SERVICES
---------	-----------------------

CURVAS DE FUNCIONAMIENTO	TORSION @--- RPM (25°C)	MUESTRA APROBADA	COMPONENTE UL	CSA
C32749	25.5 OZ. FT.	0604223B	#ARCHIVO CCN #	#ARCHIVO CLASE #
			E46412 PRGY2	LR43341 4211-01

CARACTERISTICAS DE GEOMETRIA Y SIMBOLOS
 ▽ PLANICIDAD
 — RECTITUD
 ∠ ANGULARIDAD
 ⊥ PERPENDICULARIDAD (A ESCUADRA)
 // PARALELISMO
 ○ REDONDEZ (CIRCULARIDAD)
 ∅ CILINDRICIDAD
 △ PERFIL DE CUALQUIER SUPERFICIE
 ↗ PERFIL DE CUALQUIER LINEA
 ↑ VARIACION
 ⊕ POSICION REAL
 ⊙ CONCENTRICIDAD
 = SIMETRIA

A.O. SMITH PROVEE ASISTENCIA TECNICA A NUESTROS CLIENTES EN VARIAS AREAS. DESDE QUE A.O. SMITH NO RECIBE TODOS LOS DATOS EN RELACION AL USO Y A LA APLICACION DEL MOTOR, LA APLICACION ADECUADA DEL MOTOR DEBE SER DETERMINADA POR EL CLIENTE.

DIMENSIONES SIN TOLERANCIA SON DE REFERENCIA SOLAMENTE

DIBUJADO POR: CADDIE.ZHOU
 08-08-2007
 APROBADO POR:
 TERCER ANGULO DE PROYECCION
 FECHA EDS: 01-21-2007
 REV. FORMATO: E
 CONFIDENCIAL: ESTE DIBUJO Y SU INFORMACION SON PROPIEDAD DE USO EXCLUSIVO Y CONFIDENCIAL DE A.O.SMITH CORP. Y NO DEBERAN SER REVELADOS, DUPLICADOS, DISTRIBUIDOS O USARSE DE OTRA MANERA SIN EL CONSENTIMIENTO ESCRITO DE A.O. SMITH CORP. -TODOS LOS DERECHOS RESERVADOS.ASME Y14.5M 1994

A.O. SMITH
 ELECTRICAL PRODUCTS COMPANY
 TIPP CITY, OHIO
 A DIVISION OF A. O. SMITH CORPORATION
 COPYRIGHT 1995
 DESCRIPCION:
 TAMAÑO: C
 NUMERO DE DIBUJO:
 ESCALA: NONE
 HOJA: 1

4

3

2

1

4

3

2

1

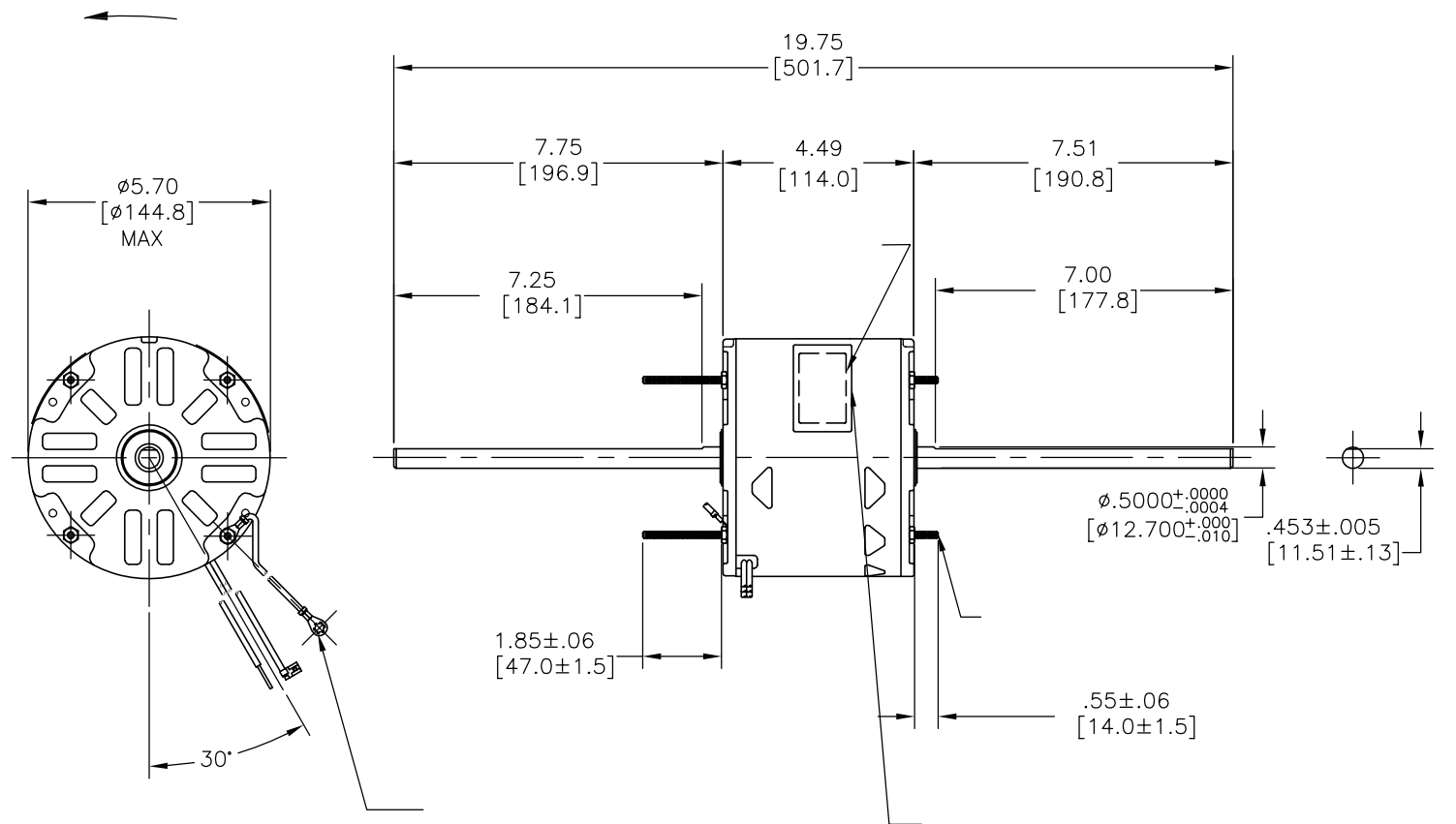
总要求:

轴跳动: .001/1 [.03/25.4] (外伸轴)
 端部窜动量: .010 - .063 [.25 - 1.60]
 轴承: 含油轴承
 安装位置: 水平

电气数据:

过载保护: 自动复位 (T. I. 7AM 036)
 引线: 18GA, 厚.06[1.5] 125°C 绝缘
 接地线: 16GA, 厚.03[0.8] 绿色/黄色绝缘

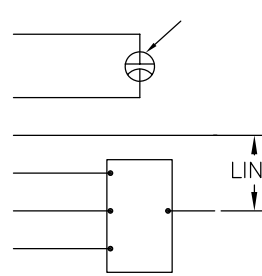
版本	更改通知号	项目号	编制	日期	批准	日期
A	00009104	0702442	Caddie	08/24/2007		



铭牌数据

外部连接详图

MODEL NO.: F48Z82A01
 CUST. P/N: 399A
 HP: 1/3, 1/4, 1/5
 ROT.: CCWLE
 RPM: 1365
 TYPE: UF
 FRAME: 48Y
 VOLTS: 230
 PH: 1
 AMPS: 2.7, 2.0, 1.6
 HZ: 60
 INS.: B
 AMB.: 60 °C
 DUTY: AIR OVER
 CAP.: 5 MFD/370V
 ENCL: SEMI-ENCL.
 UL LOGO
 CSA LOGO
 THERMALLY PROTECTED



614131-296

	11.0/13.0 [279/330]	#10 EYELET
	25.5/27.5 [648/699]	.25[6.4] FLAG
	25.5/27.5 [648/699]	.25[6.4] FLAG
	25.5/27.5 [648/699]	.50[12.7] SKIN
	25.5/27.5 [648/699]	.50[12.7] SKIN
	25.5/27.5 [648/699]	.50[12.7] SKIN
	25.5/27.5 [648/699]	.50[12.7] SKIN
颜色	长度	端子或剥线长度

非引线端机壳	
非引线端端盖	
引线端机壳	
引线端端盖	

用户	DISTRIBUTION SERVICES
----	-----------------------

性能曲线编号	转矩在---RPM (25° C)	批准样品	UL部件		CSA	
			文件号	指南	文件号	指南
C32749	25.5 OZ. FT.	0604223B	E46412	PRGY2	LR43341	4211-01

- 形位公差
- 平面度
- 直线度
- ∠ 倾斜度
- ⊥ 垂直度
- ∥ 平行度
- 圆度
- ⊘ 圆柱度
- △ 面轮廓度
- ∇ 线轮廓度
- ↗ 圆跳动
- ⊕ 位置度
- ◎ 同轴度
- ≡ 对称度

A. O. SMITH在个别领域为客户
 提供技术支持。鉴于A. O. SMITH
 未收到任何涉及电机使用和
 应用环境的数据，电机的适用性
 由客户自己决定。

未注公差尺寸仅供参考。

绘图:	CADDIE.ZHOU	08-08-2007
批准:		
第三角投影		图纸格式发布日期 01-21-2007 图纸格式版本 E
机密:	本图纸及相关信息所有权归A. O. SMITH公司所有。 未经A. O. SMITH公司书面授权，不得泄露、复制、传播或作 其他用途。—版权所有	
	ASME Y14.5M 1994	

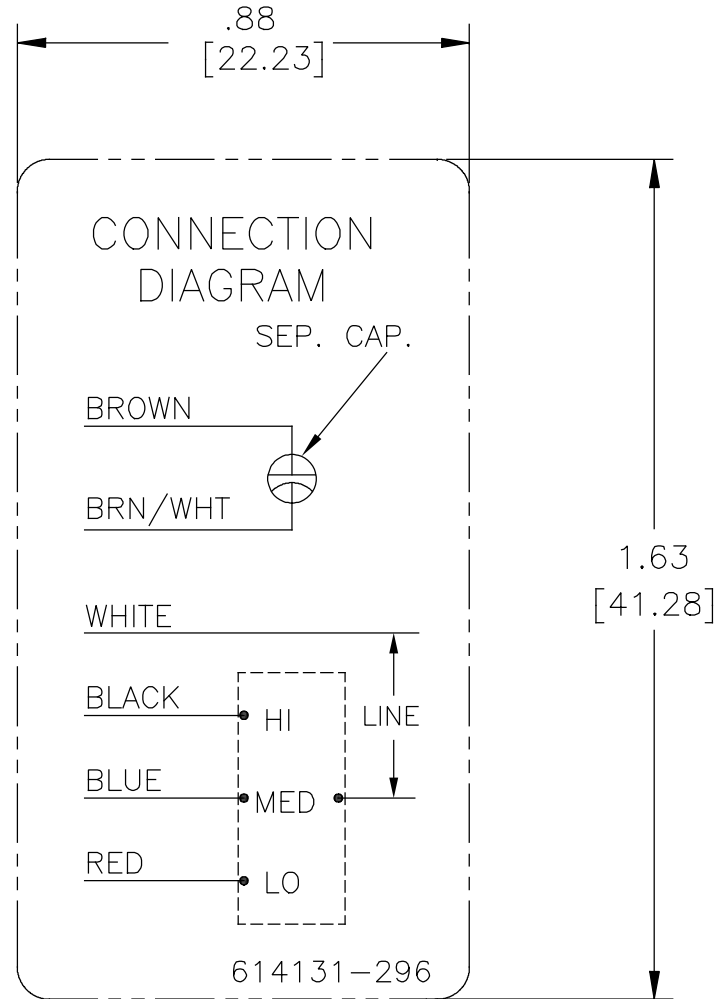
A. O. SMITH ELECTRICAL PRODUCTS COMPANY TIFF CITY, OHIO		A DIVISION OF A. O. SMITH CORPORATION COPYRIGHT 1995	
名称			
图幅	C	图号	
比例	NONE	页号	1

4

3


2

1



NOTES:

1. FOR USE WITH 614129 NAMEPLATE BLANK
2. — — — — — INDICATES DIMENSION LIMITS
3. DIE TO BE MADE FROM MASTER SUPPLIED BY REGAL BELOIT CORPORATION
4. DIE MUST PRODUCE A LEGIBLE IMPRESSION.

DRAWING REVISION B	REVISION BY SELENA.YAO	DATE 02-08-2018	TOLERANCES UNLESS OTHERWISE SPECIFIED			DRAWN BY: S.RECKERS	 Regal Beloit America, Inc.		
ECO ECO-0096557	APPROVED BY CADDIE.ZHOU	DATE 02-08-2018	DEC.	INCH	mm	ANGLE		DATE: 06-21-2002	
ECO DESCRIPTION CREATE SINGLE DRAWING FROM 614131 SHT #30			.X	±0.1	[±2.5]	±0.5°	APPROVED BY: B.BLATTERMAN		
<small>COPYRIGHT REGAL BELOIT AMERICA, INC. ALL RIGHTS RESERVED. PROPRIETARY AND CONFIDENTIAL INFORMATION - THIS DOCUMENT IS THE PROPERTY OF REGAL BELOIT AMERICA, INC. ("OWNER") AND CONTAINS OWNER'S PROPRIETARY INFORMATION. ANY PERSON, CORPORATION OR OTHER FIRM RECEIVING IT IS DEEMED, BY RECEIVING IT, TO AGREE THAT IT, AND/OR ANY PART OF IT, SHALL NOT BE DISCLOSED TO ANY PERSON, CORPORATION OR OTHER ENTITY, DUPLICATED, AND/OR USED, EXCEPT AS EXPRESSLY APPROVED IN WRITING IN ADVANCE BY OWNER. THIS DOCUMENT SHALL BE RETURNED TO OWNER UPON REQUEST. IT MAY BE SUBJECT TO CERTAIN RESTRICTIONS UNDER APPLICABLE EXPORT CONTROL LAWS AND REGULATIONS.</small>			.XX	±0.02	[±0.51]		DATE: 06-21-2002		
			.XXX	±0.005	[±0.127]		REFERENCE 614131 SHT #30	MATERIAL	PROCESS/FINISH
			.XXXX	±0.0005	[±0.0127]		THIRD ANGLE PROJECTION	SIZE DWG NO	
			REMOVE BURRS & BREAK SHARP EDGES .003/.015 [.076/.381]	INCH ¹²⁵ / mm ^{3.2}			A	614131-296	SHEET 1
			CORNER FILLETS .02 [.51]	mm SHOWN IN [BRACKETS]					
			MACHINED SURFACES						