

PRODUCT INFORMATION PACKET



Model No: 3D005

Catalog No: 3D005

Fan and Blower Motor, 3/4 HP, 1 Ph, 60/50 Hz, 277/230 V, 1075 RPM, 4 Speed, 48 Frame, OPAO



Regal and Genteq are trademarks of Regal Rexnord Corporation or one of its affiliated companies.
©2025 Regal Rexnord Corporation, All Rights Reserved. MC017097E





Nameplate Specifications

Phase	1	Output HP	3/4 Hp
Output KW	0.56 kW	Voltage	277/230 V
Speed	1075 rpm	Service Factor	1
Frame	48	Enclosure	Open Air Over
Thermal Protection	Thermally Protected	Ambient Temperature	40 °C
Frequency	60/50 Hz	Current	3.60 A
Duty	Continuous Air Over	Insulation Class	B
UL	Recognized	CSA	Y
CE	N	Number of Speeds	4

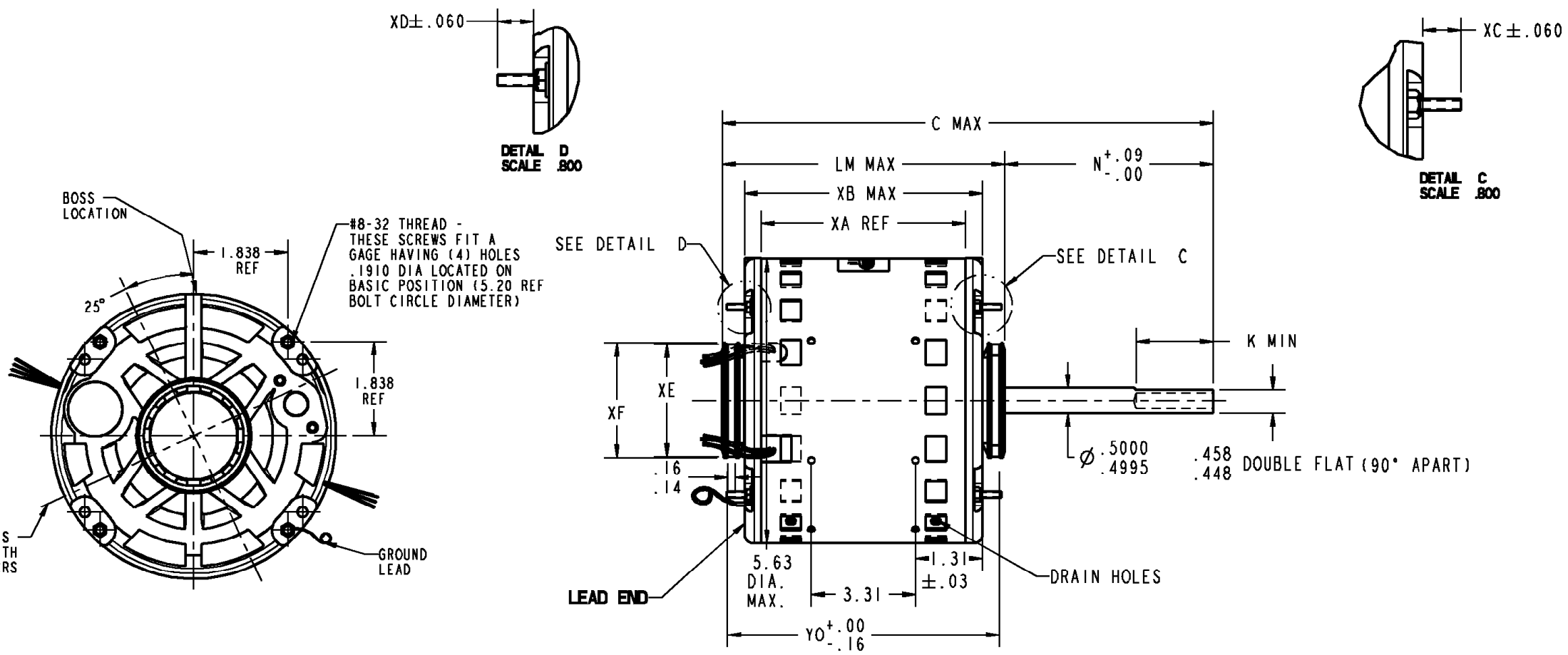
Technical Specifications

Electrical Type	Permanent Split Capacitor	Poles	6
Rotation	Counterclockwise/Clockwise	Mounting	Round Belly Band
Motor Orientation	Any	Drive End Bearing	Ball
Opp Drive End Bearing	Ball	Frame Material	Rolled Steel
Shaft Type	Double Flat	Overall Length	13.39 in
Frame Length	5.32 in	Shaft Diameter	0.500 in
Shaft Extension	6.50 in		
Outline Drawing	5KCP39SGBC30AS	Connection Drawing	NP24X327723

This is an uncontrolled document once printed or downloaded and is subject to change without notice. Date Created:06/18/2025

NAME: 100020344 OBJECT: 5KCP39SGBC30AS DATE: 12-Dec-11 14:39:48

VENTILATION SYSTEM		RBC PROPRIETARY AND CONFIDENTIAL INFORMATION This document is the property of REGAL BELOIT CORPORATION ("RBC") including its subsidiaries and divisions and contains proprietary information of RBC. This document is loaned on the express condition that neither it nor the information contained therein shall be disclosed to others without the express written consent of RBC, and that the information shall be used by the recipient only as approved expressly by RBC. This document shall be returned to RBC upon its request. This document may be subject to certain restrictions under U.S. export control laws and regulations.	REVISIONS			
SHELL VENTS	OPEN		REV.	DESCRIPTION	DATE	APPROVED
ENDSHIELD (OPP. LEAD END)	OPEN		1	REL TO PROD PER IS:11-2171	12/12/11	PRANEETH
ENDSHIELD (LEAD END)	OPEN					



NOTE:
1. DIMENSIONS SHOWN ARE NOMINAL UNLESS/OTHERWISE SPECIFIED.

			2.22	2.25	1.25	.75	6.64
			XE	XF	XC	XD	YO
13.39	6.50	5.50	N/A	N/A	6.81	5.32	5.98
C	N	K	XN	XK	LM	XA	XB

NO	CONNECTION	COLOR	ENT TYPE	ENT LOC (MEAS LB)	GAGE	MATERIAL	WALL THK	LENGTH	TERMINATION
1	COMMON LEAD	WHITE	SHELL NOTCH	3:40	18	THERMOPLASTIC	4/64	30.00	50 BWS
2	REV LEAD	YELLOW	SHELL NOTCH	9:40	18	VULKENE	2/64	4.00	MALE REVERSING PLUG
3	CAPACITOR LEAD	BRN/WHT	SHELL NOTCH	3:40	18	THERMOPLASTIC	4/64	30.00	.25 FOC
4	REV LEAD	ORANGE	SHELL NOTCH	9:40	18	VULKENE	2/64	4.00	MALE REVERSING PLUG
5	CAPACITOR LEAD	BROWN	SHELL NOTCH	3:40	18	THERMOPLASTIC	4/64	30.00	.25 FOC
6	REV LEAD	BROWN	SHELL NOTCH	9:40	18	VULKENE	2/64	4.00	FEMALE REVERSING PLUG
7	HIGH SPEED LEAD	BLACK	SHELL NOTCH	3:40	18	THERMOPLASTIC	4/64	30.00	.50 BWS
8	NED HIGH SPEED LEAD	YELLOW	SHELL NOTCH	3:40	18	THERMOPLASTIC	4/64	30.00	.50 BWS
9	NED LOW SPEED LEAD	ORANGE	SHELL NOTCH	3:40	18	THERMOPLASTIC	4/64	30.00	.50 BWS
10	LOW SPEED LEAD	RED	SHELL NOTCH	3:40	18	THERMOPLASTIC	4/64	30.00	.50 BWS
11	REV LEAD	PURPLE	SHELL NOTCH	9:40	18	VULKENE	2/64	4.00	FEMALE REVERSING PLUG
12	GROUND	GRN-YEL	CLAMPSCREW	4:30	18	THERMOPLASTIC	2/64	12.00	#10 EYELET

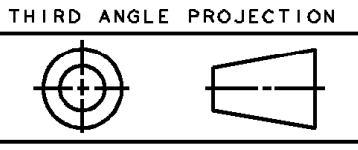
NAMEPLATE DATA	
MODEL	5KCP39SGBC30AS
CUST P/N	STOCK NO 3D005
HP	3/4
RPM	1075
VOLTS	277/230
HZ	60/50
SPEEDS	4
AMPS	3.60
CAP REQD-1	10.00µfd/370Volts
CAP REQD-2	N/R
CONN DRW	NP24X327123
ROTATION	CCW/CW (VIEWED FROM LE)

REGAL-BELOIT CORPORATION
FORTWAYNE, INDIANA

TITLE: **MOTOR OUTLINE**
(CUSTOMER NAME: DEF PUR)

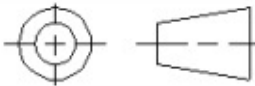
SIZE B DRAWING **5KCP39SGBC30AS** REV 1

SCALE: NO ISSUED: 12/12/11 SHEET 1 of 1



THIRD ANGLE PROJECTION

REVISIONS

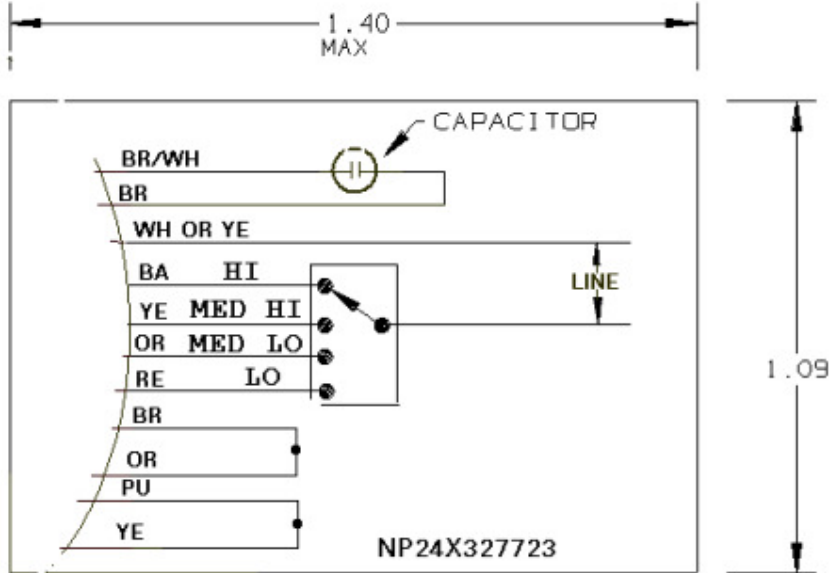


REV	DESCRIPTION	DATE	APPROVED
1	CAS 12/14/94 REEDED IN AT		

Uncontrolled Copy

CONFIDENTIAL AND PROPRIETARY

This document is the property of General Electric Company and contains proprietary and confidential information of the Motor Business Group (MBG). The document is loaned on the express condition that neither it nor the information contained therein shall be disclosed to others without the express consent of MBG and that the information shall be used by the recipient only as approved expressly by MBG. Also, the document shall be returned to MBG upon its request.



NOTE: THIS DRAWING WILL BE ELECTRONICALLY REPRODUCED BY THE HVAC FAN MOTOR NAMEPLATE SYSTEM.

UNLESS OTHERWISE SPECIFIED
DIMENSIONS ARE IN INCHES
TOLERANCES ON:
2 PL. DECIMALS ±
3 PL. DECIMALS ±
ANGLES ±
FRACTIONS ±
MATERIAL:
APPLIED PRACTICES:

SIGNATURES | DATE

DRAWN	CAS 12/14/94
CHECKED	
ENGRD	
ISSUED	



GE Motors

Fort Wayne, Indiana

NAMEPLATE LABEL

CAD NO	
APPLIED PRACTICES	

SIZE	FSCM NO	DWG NO
A		NP24X327723
SCALE	3	

SHEET	1 OF 1
-------	--------

F39: XNP8

DISTR TO