

PRODUCT INFORMATION PACKET



Model No: 3D006

Catalog No: 3D006

Fan and Blower Motor, 1/3 HP, 1 Ph, 60/50 Hz, 460 V, 1075 RPM, 3 Speed, 48 Frame, OPAO



Regal and Genteq are trademarks of Regal Rexnord Corporation or one of its affiliated companies.
©2026 Regal Rexnord Corporation, All Rights Reserved. MC017097E





Nameplate Specifications

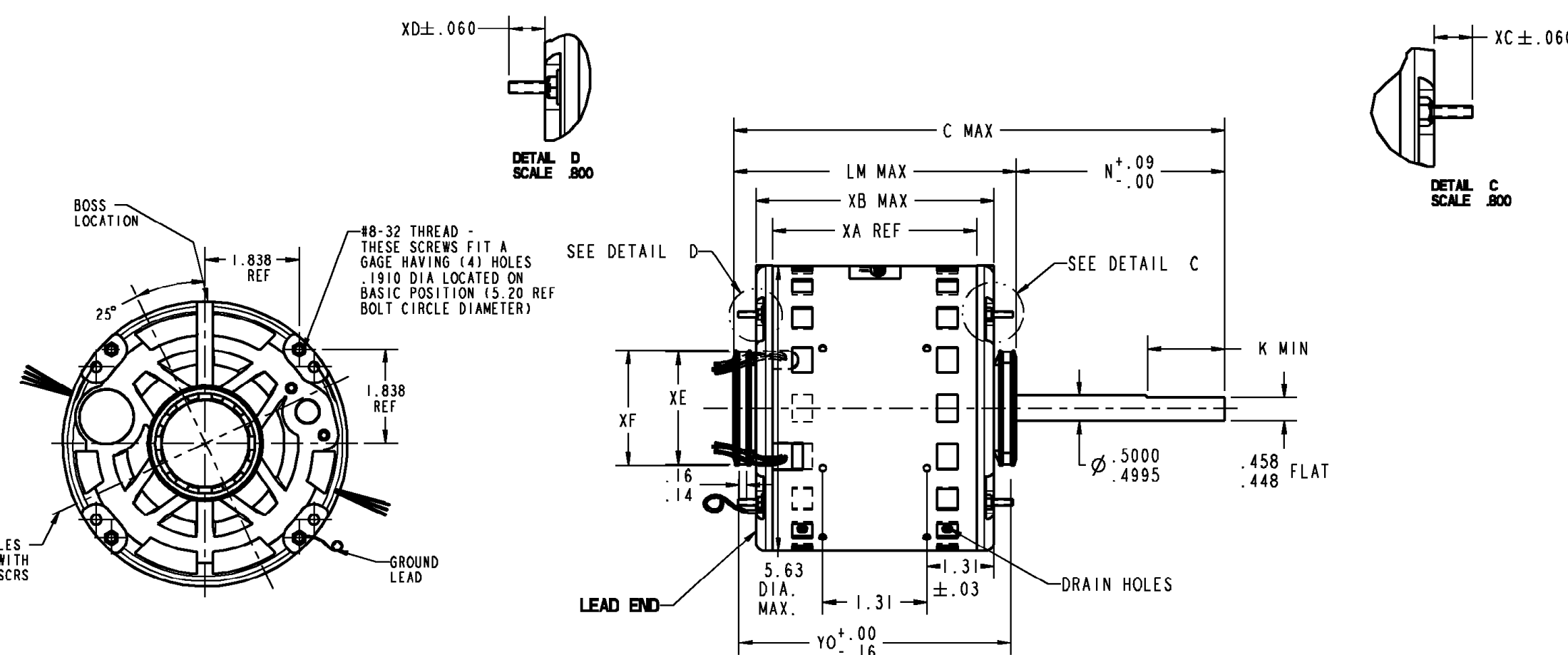
Phase	1	Output HP	1/3 Hp
Output KW	0.25 kW	Voltage	460 V
Speed	1075 rpm	Service Factor	1
Frame	48	Enclosure	Open Air Over
Thermal Protection	Thermally Protected	Ambient Temperature	40 °C
Frequency	60/50 Hz	Current	1.10 A
Duty	Continuous Air Over	Insulation Class	B
UL	Recognized	CSA	Y
CE	N	A2L Status	A2L Compliant
Number of Speeds	3		

Technical Specifications

Electrical Type	Permanent Split Capacitor	Poles	6
Rotation	Counterclockwise/Clockwise	Mounting	Round Belly Band
Motor Orientation	Any	Drive End Bearing	Ball
Opp Drive End Bearing	Ball	Frame Material	Rolled Steel
Shaft Type	Flat	Overall Length	12.39 in
Frame Length	4.32 in	Shaft Diameter	0.500 in
Shaft Extension	6.50 in		
Outline Drawing	5KCP39MGU956AS	Connection Drawing	NP24X327722

This is an uncontrolled document once printed or downloaded and is subject to change without notice. Date Created:05/22/2026

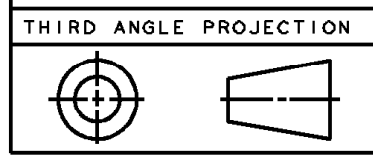
VENTILATION SYSTEM		RBC PROPRIETARY AND CONFIDENTIAL INFORMATION This document is the property of REGAL BELOIT CORPORATION ("RBC") including its subsidiaries and divisions and contains proprietary information of RBC. This document is loaned on the express condition that neither it nor the information contained therein shall be disclosed to others without the express written consent of RBC, and that the information shall be used by the recipient only as approved expressly by RBC. This document shall be returned to RBC upon its request. This document may be subject to certain restrictions under U.S. export control laws and regulations.	REVISIONS			
SHELL VENTS	OPEN		REV.	DESCRIPTION	DATE	APPROVED
ENDSHIELD (OPP. LEAD END)	OPEN		1	REL TO PROD PER IS:11-2171	12/12/11	PRANEETH
ENDSHIELD (LEAD END)	OPEN					



NOTE:
1. DIMENSIONS SHOWN ARE NOMINAL UNLESS/OTHERWISE SPECIFIED.

			2.22	2.25	1.25	.75	5.64
			XE	XF	XC	XD	YO
12.39	6.50	5.50	N/A	N/A	5.81	4.32	4.98
C	N	K	XN	XK	LM	XA	XB

SNO	CONNECTION	COLOR	EXIT TYPE	EXIT LOC (MEMO LB)	QMTY	MATERIAL	WALL THK	LENGTH	TERMINATION	NAMEPLATE DATA	
1	COMMON LEAD	WHITE	SHELL NOTCH	3:40	18	THERMOPLASTIC	4/64	30.00	.50 BWS	MODEL	5KCP39MGU956AS
2	REV LEAD	YELLOW	SHELL NOTCH	9:40	18	VULKENE	2/64	4.00	MALE REVERSING PLUG	CUST P/N	STOCK NO 3D006
3	CAPACITOR LEAD	BRN/WHT	SHELL NOTCH	3:40	18	THERMOPLASTIC	4/64	30.00	.25 FOC	HP	1/3
4	REV LEAD	ORANGE	SHELL NOTCH	9:40	18	VULKENE	2/64	4.00	MALE REVERSING PLUG	RPM	1075
5	CAPACITOR LEAD	BROWN	SHELL NOTCH	3:40	18	THERMOPLASTIC	4/64	30.00	.25 FOC	VOLTS	460
6	REV LEAD	BROWN	SHELL NOTCH	9:40	18	VULKENE	2/64	4.00	FEMALE REVERSING PLUG	HZ	60/50
7	HIGH SPEED LEAD	BLACK	SHELL NOTCH	3:40	18	THERMOPLASTIC	4/64	30.00	.50 BWS	SPEEDS	3
8	MED SPEED LEAD	BLUE	SHELL NOTCH	3:40	18	THERMOPLASTIC	4/64	30.00	.50 BWS	AMPS	1.10
9	LOW SPEED LEAD	RED	SHELL NOTCH	3:40	18	THERMOPLASTIC	4/64	30.00	.50 BWS	CAP REQD-1	7.50µfd/370Volts
10	REV LEAD	PURPLE	SHELL NOTCH	9:40	18	VULKENE	2/64	4.00	FEMALE REVERSING PLUG	CAP REQD-2	N/R
11	GROUND	GRN-YEL	CLAMPSCREW	4:30	18	THERMOPLASTIC	2/64	12.00	#10 EYELET	CONN. DRW.	NP24X327122
										ROTATION	CCW/CW (VIEWED FROM LE)



REGAL BELOIT CORPORATION
FORTWAYNE, INDIANA

TITLE: **MOTOR OUTLINE**
(CUSTOMER NAME: DEF PUR)

SIZE: B DRAWING: 5KCP39MGU956AS REV: 1

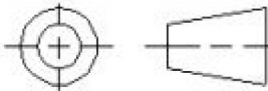
SCALE: NO ISSUED: 12/12/11 SHEET 1 of 1



THIRD ANGLE PROJECTION

REVISIONS

REV
SH



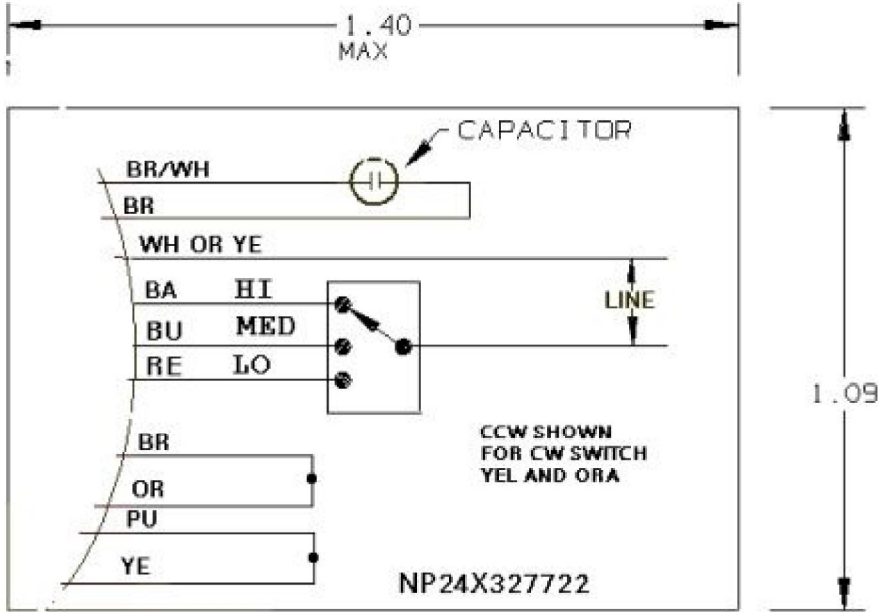
REV	DESCRIPTION	DATE	APPROVED
-----	-------------	------	----------

1 CAS 5/3/01 ELEC FORMAT

Uncontrolled Copy

CONFIDENTIAL AND PROPRIETARY

This document is the property of General Electric Company and contains proprietary and confidential information of the Motor Business Group (MBG). The document is loaned on the express conditions that neither the information contained herein shall be disclosed to others without the express consent of MBG and that the information shall be used by the recipient only as approved expressly by MBG. Also, the document shall be returned to MBG upon its request.



SIZE
A



NOTE: THIS DRAWING WILL BE ELECTRONICALLY REPRODUCED BY THE HVAC FAN MOTOR NAMEPLATE SYSTEM.

UNLESS OTHERWISE SPECIFIED DIMENSIONS ARE IN INCHES TOLERANCES ON: 2 PL DECIMALS ± 3 PL DECIMALS ± ANGLES ± FRACTIONS ±	SIGNATURES	DATE	<p>Fort Wayne, Indiana</p> <h1>NAMEPLATE LABEL</h1>
	DRAWN CAS 12/14/94	CHECKED	
MATERIAL:	ENDPG	ISSUED	SIZE FSCM NO DWG NO A NP24X327722
	CAD NO		SCALE 3 SHEET 1 OF 1
APPLIED PRACTICES:			

F39:XPB8



DISTR TO