

PRODUCT INFORMATION PACKET



Model No: 3S052

Catalog No: 3S052

OEM Replacement Motor, 1/4 HP, 1 Ph, 60 Hz, 460/400 V, 1100/900 RPM, 1 Speed, 48 Frame, TEAO



Regal and Genteq are trademarks of Regal Rexnord Corporation or one of its affiliated companies.
©2022 Regal Rexnord Corporation, All Rights Reserved. MC017097E





Nameplate Specifications

Output HP	1/4 Hp	Output KW	0.19 kW
Frequency	60 Hz	Voltage	460/400 V
Current	0.70/ 0.70 A	Speed	1100/900 rpm
Service Factor	1	Phase	1
Duty	Continuous Air Over	Insulation Class	B
Frame	48	Enclosure	Totally Enclosed Air Over
Thermal Protection	Thermally Protected	Ambient Temperature	40 °C
UL	Recognized	CSA	Y
CE	N	Number of Speeds	1

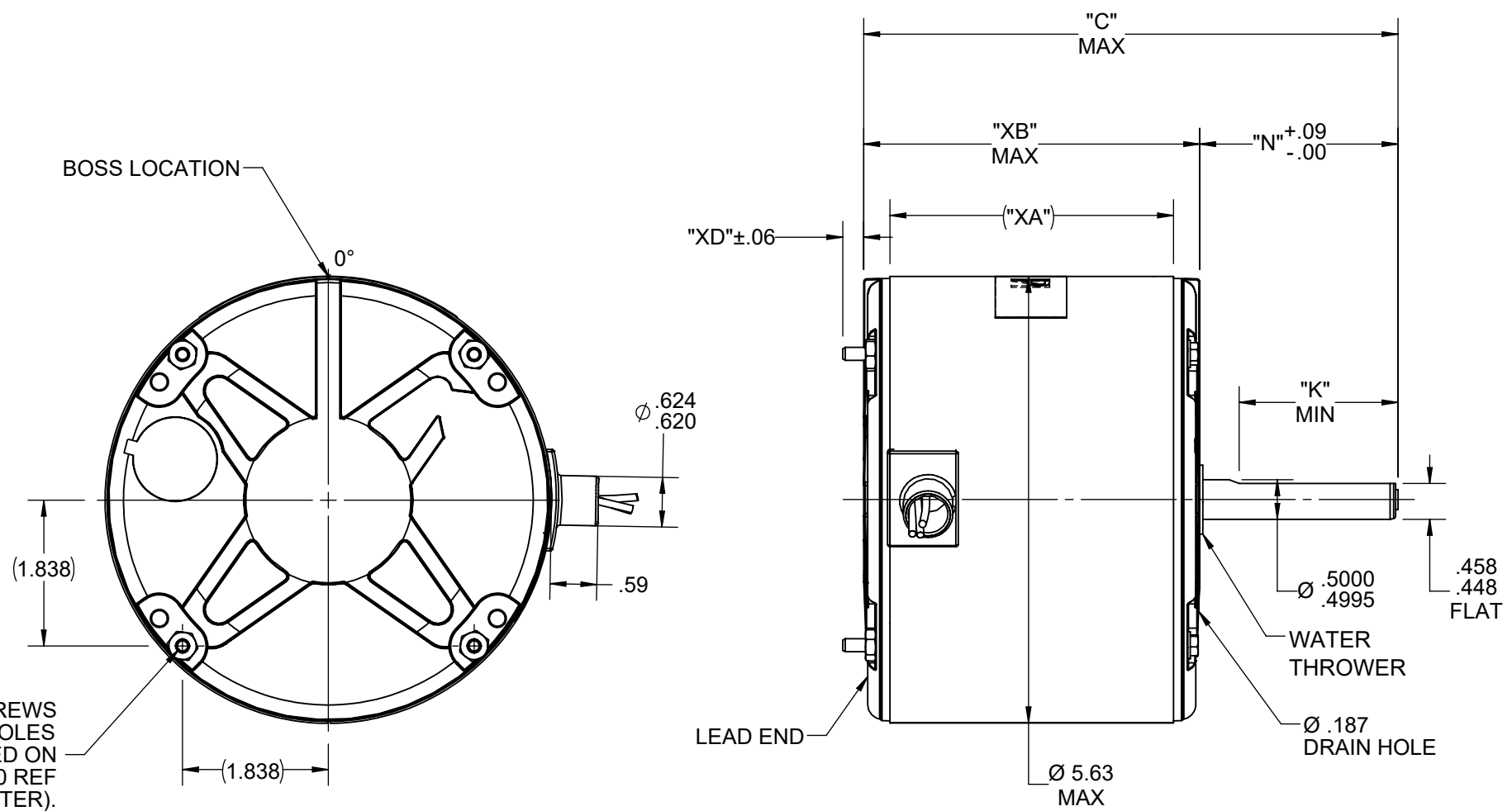
Technical Specifications

Electrical Type	Permanent Split Capacitor	Poles	6
Rotation	Clockwise	Mounting	Extended Studs
Motor Orientation	Vertical Shaft Down	Drive End Bearing	Ball
Opp Drive End Bearing	Ball	Frame Material	Rolled Steel
Shaft Type	Flat	Overall Length	7.81 in
Frame Length	4.57 in	Shaft Diameter	0.500 in
Shaft Extension	2.50 in		
Connection Drawing	NP24X327056	Outline Drawing	5KCP39MFWB11S

This is an uncontrolled document once printed or downloaded and is subject to change without notice. Date Created:11/29/2022

S.NO	CONNECTION	COLOR	EXIT TYPE	EXIT LOC (VIEWING LE)	GAGE	MATERIAL	WALL THK.	LENGTH	TERMINATION
1	COMMON LEAD	YELLOW	SHELL BX/CBOX HOLE	3:00	18	THERMOPLASTIC	4/64	70.00	.25 SQC/SLVG
2	CAPACITOR LEAD	BROWN	SHELL BX/CBOX HOLE	3:00	18	THERMOPLASTIC	4/64	70.00	.25 SQC/SLVG
3	HIGH SPEED LEAD	BLACK	SHELL BX/CBOX HOLE	3:00	18	THERMOPLASTIC	4/64	70.00	.25 SQC/SLVG

NAMEPLATE DATA	
MODEL	5KCP39MFWB11S
CUST. P/N	3S052
HP	1/4
RPM	1100/900
VOLTS	460/400
HZ	60/50
SPEEDS	1
AMPS	.70/.70
CAP. REQ'D-D1	10.0 µfd/370 Volts
CAP. REQ'D-D2	N/R
CONN.DRW#	NP24X327056
ROTATION	CW (VIEWED FROM LE.)



#8-32 THREAD . THESE SCREWS FIT A GAGE HAVING (4) HOLES OF .1910 LOCATED ON BASIC POSITION(5.20 REF BOLT CIRCLE DIAMETER).

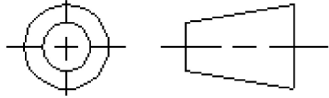
- NOTES:
 1) DIMENSIONS SHOWN ARE NOMINAL UNLESS OTHERWISE SPECIFIED.
 2) NAME PLATE LABEL LOCATION: 360° - CENTER - READ FROM LE, WITH RESPECT TO BOSS LOCATION

			N/A	.35
			XC	XD
7.81	2.50	1.75	4.57	5.23
C	N	K	XA	XB

DRAWING REVISION F		REVISION BY NV		REV DATE/© DATE 04/28/2022		DRAWN BY NV		Regal Beloit America, Inc.					
REQUEST NUMBER ECR-0217359		APPROVED BY KEP		DATE 04/28/2022		DATE 04/26/2022							
REQUEST NUMBER DESCRIPTION CPN CHANGED PER ECR						APPROVED BY KEP		DESCRIPTION					
VENTILATION SYSTEM SHELL VENTS CLOSED ENDSHIELD (OPP.LEAD END) CLOSED ENDSHIELD (LEAD END) CLOSED						PRIMARY DIMENSIONS ARE INCH mm DIMENSIONS IN [BRACKETS] ARE FOR REFERENCE ONLY		DATE 04/26/2022		OUTLINE CUST. NAME: ALL			
								REFERENCE				MATERIAL	
								THIRD ANGLE PROJECTION		SIZE B		DRAWING NUMBER 5KCP39MFWB11S	

THIRD ANGLE PROJECTION

REVISIONS



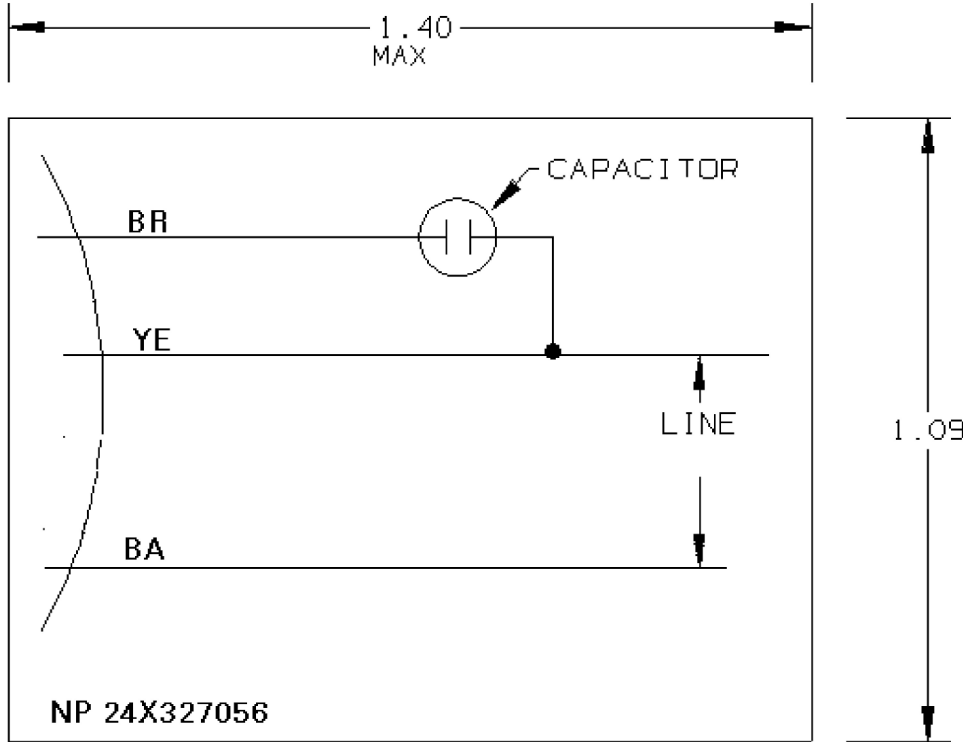
REV	DESCRIPTION	DATE	APPROVED
-----	-------------	------	----------

1 CAS 2/11/99 ELECTRONIC FORMAT

CONFIDENTIAL AND PROPRIETARY

This document is the property of General Electric Company and contains proprietary and confidential information of the Motor Business Group (MBG). The document is loaned on the express conditions that neither it nor the information contained therein shall be disclosed to others without the express consent of MBG and that the information shall be used by the recipient only as approved expressly by MBG. Also, the document shall be returned to MBG upon its request.

SIZE DWG NO NP 24X327056



NOTE: THIS DRAWING WILL BE ELECTRONICALLY REPRODUCED BY THE HVAC FAN MOTOR NAMEPLATE SYSTEM.

UNLESS OTHERWISE SPECIFIED DIMENSIONS ARE IN INCHES TOLERANCES ON: 2 PL DECIMALS ± 3 PL DECIMALS ± ANGLES ± FRACTIONS ± MATERIAL: APPLIED PRACTICES:	SIGNATURES	DATE	Fort Wayne, Indiana
	DRAWN RL UETRECHT	4/3/1972	
	CHECKED		
	ISSUED		
CAD NO		SIZE A	FSCM NO
		SCALE 3	DWG NO NP 24X327056
			SHEET 1 OF 1