

PRODUCT INFORMATION PACKET



Model No: 407

Catalog No: 407

Fan Coil & Air Conditioner Motor, 1/6-1/9-1/12-1/15 HP, 1 Ph, 60 Hz, 115 V, 1550 RPM, 4 Speed,
4.4" Diameter, OPEN



Regal and Century are trademarks of Regal Rexnord Corporation or one of its affiliated companies.
©2022 Regal Rexnord Corporation, All Rights Reserved. MC017097E





Nameplate Specifications

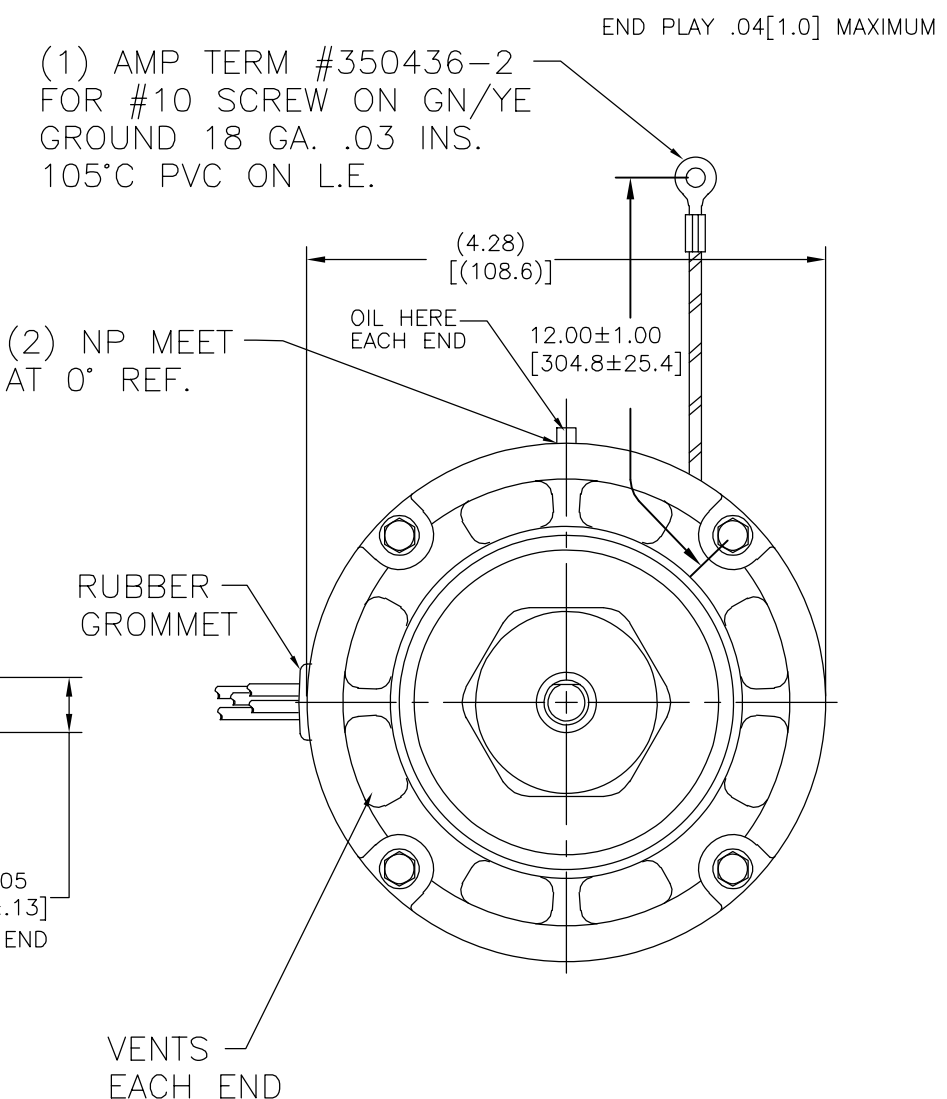
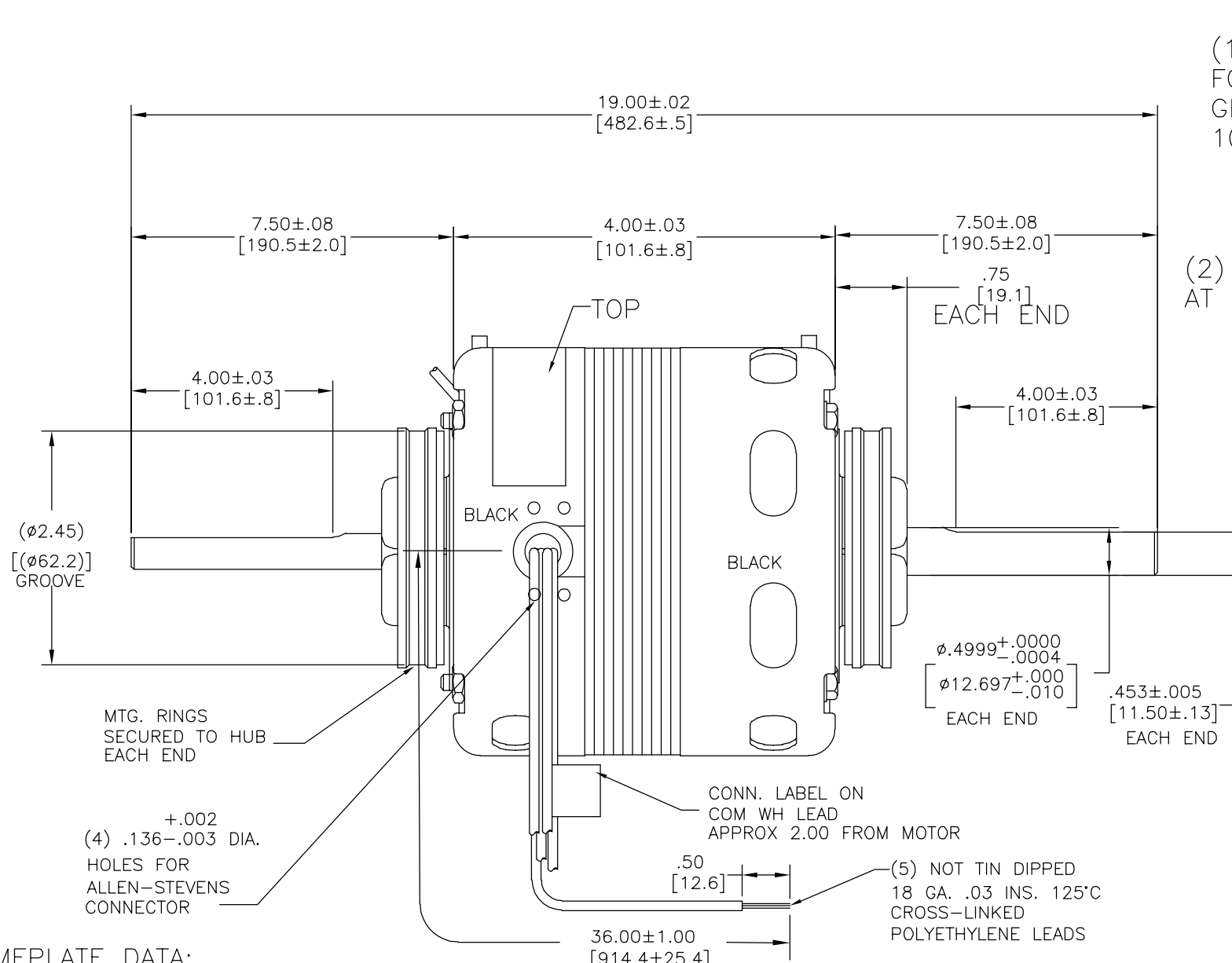
Output HP	1/6-1/9-1/12-1/15 Hp	Output KW	0.13 kW
Frequency	60 Hz	Voltage	115 V
Current	4.8/3.1/2.6/2.3 A	Speed	1550 rpm
Service Factor	1	Phase	1
Duty	Continuous Air Over	Insulation Class	B
Frame	4.4	Enclosure	Open Enclosed
Thermal Protection	Automatic	Ambient Temperature	40 °C
UL	Recognized	CSA	Y
CE	N	Number of Speeds	4

Technical Specifications

Electrical Type	Shaded Pole	Starting Method	Across The Line
Poles	4	Rotation	Counterclockwise Lead End
Mounting	Extended Studs	Motor Orientation	Horizontal
Drive End Bearing	Sleeve	Opp Drive End Bearing	Sleeve
Frame Material	Rolled Steel	Shaft Type	Flat
Overall Length	19.00 in	Shaft Diameter	0.500 in
Shaft Extension	7 1/2 X 1/2 X 7 1/2 in		
Outline Drawing	CA2J180-S01		

This is an uncontrolled document once printed or downloaded and is subject to change without notice. Date Created:11/29/2022

REV	ECO	REV BY	DATE	APPD	DATE
BK	0027378	H.REN	07-13-2012	B.SHEN	07-13-2012



(1) AMP TERM #350436-2 FOR #10 SCREW ON GN/YE GROUND 18 GA. .03 INS. 105°C PVC ON L.E.

END PLAY .04[1.0] MAXIMUM

NAMEPLATE DATA:



THERMALLY PROTECTED

Tipp City, OH



SER. DATE PLT MOD CA2J180N# STK NO 407
115V 60HZ 4.8A 1550RPM 1PH CONT AO ←ROT←

BK HIGH 4.8A 1/6HP
BR MED HI 3.1A 1/9HP
BU MED 2.6A 1/12HP
RD LOW 2.3A 1/15HP WH COM

ASSEMBLED IN MEXICO

CONN. LABEL
63T473J-25

CCWLE

ELECTRICALLY PER SAMPLE S-5906C

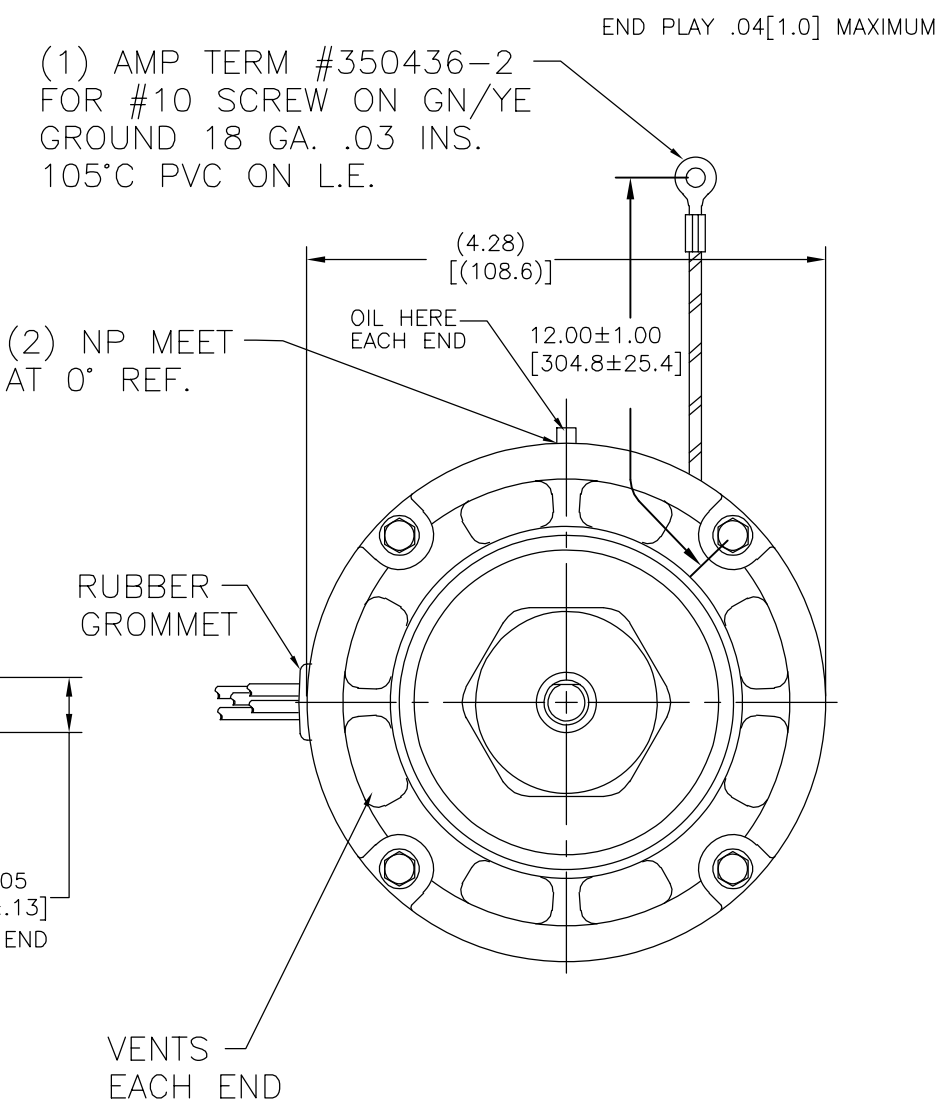
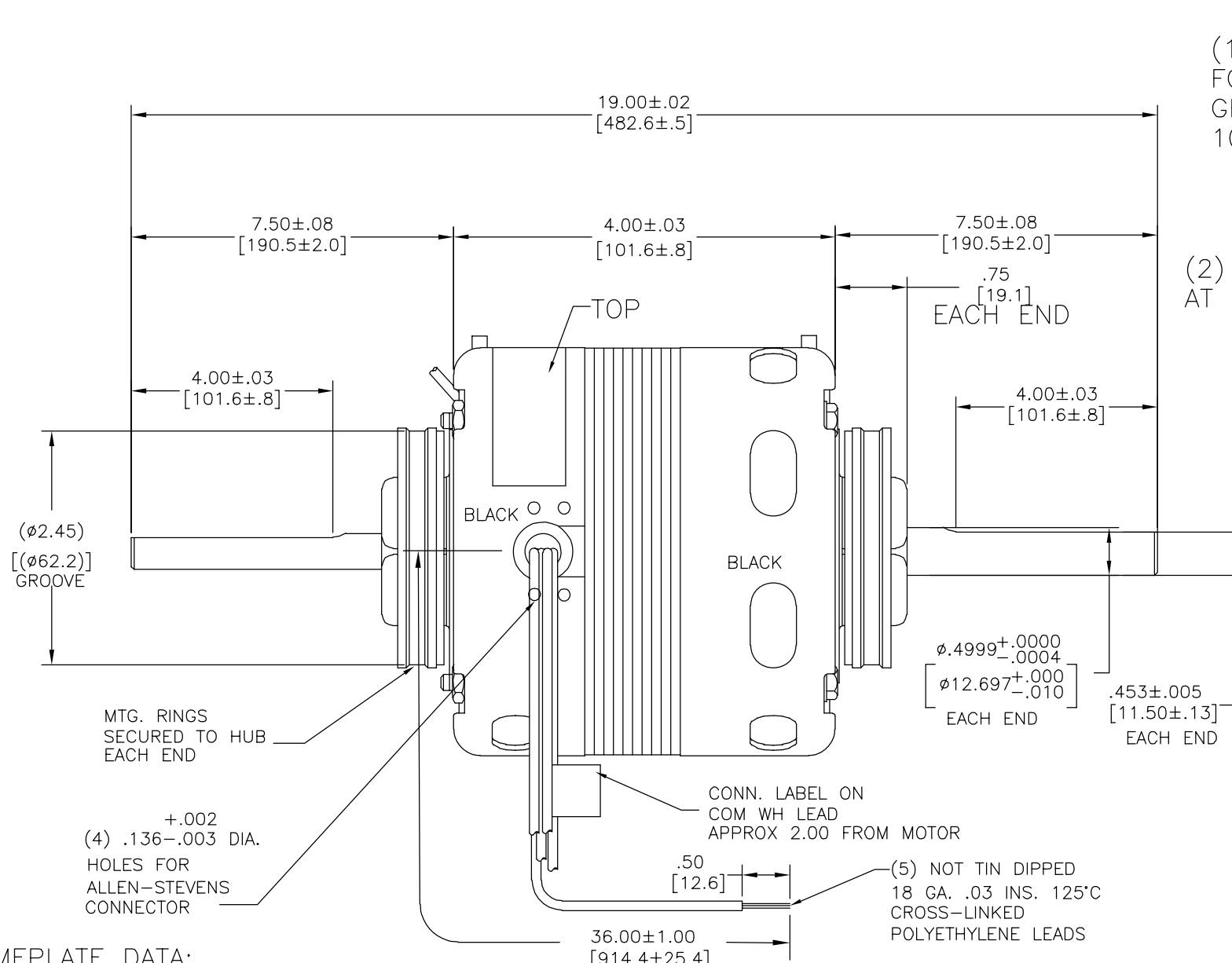
GEOMETRIC CHARACTERISTICS & SYMBOLS	
▭	FLATNESS
—	STRAIGHTNESS
∠	ANGULARITY
⊥	PERPENDICULARITY (SQUARENESS)
//	PARALLELISM
○	ROUNDNESS (CIRCULARITY)
⊘	CYLINDRICITY
△	PROFILE OF ANY SURFACE
∧	PROFILE OF ANY LINE
↗	RUNOUT
⊕	TRUE POSITION
◎	CONCENTRICITY
≡	SYMMETRY

UNLESS OTHERWISE SPECIFIED DIM. TOLERANCES ARE AS FOLLOWS:	
INCH	±.1 ±.02 ±.005 ±.0005
mm	±0.5 ±0.13 ±0.013
ANG. ±.50 DEG	
REMOVE BURRS & BREAK SHARP EDGES:	
INCH	.003-.015 mm 0.1-0.4
CORNER FILLETS TO:	
INCH	.020 mm 0.5
MACHINE SURFACES:	
INCH	125 mm 3.2
METRIC DIMS. SHOWN IN [BRACKETS]	

DR BY:	
APPD:	
THIRD ANGLE PROJECTION	EDS DATE 11-11-2011 FORMAT REV H
CONFIDENTIAL: THIS DRAWING AND ITS INFORMATION ARE THE EXCLUSIVE AND CONFIDENTIAL PROPERTY OF REGAL-BELOIT CORPORATION AND ARE NOT TO BE DISCLOSED, DUPLICATED, DISTRIBUTED OR OTHERWISE USED WITHOUT THE WRITTEN CONSENT OF REGAL-BELOIT CORPORATION. -ALL RIGHTS RESERVED.	

REGAL REGAL-BELOIT CORPORATION	
DESCRIPTION OUTLINE	
SIZE C	DWG NO CA2J180
SCALE NONE	SHEET 1

REVISION:	ECO	REVISADO POR:	FECHA:	APROBADO POR:	FECHA:
BK	0027378	H.REN	07-13-2012	B.SHEN	07-13-2012



NAMEPLATE DATA:



THERMALLY PROTECTED

Tipp City, OH

SER. DATE PLT MOD CA2J180N# STK NO 407
 115V 60HZ 4.8A 1550RPM 1PH CONT AO ←ROT→

BK HIGH 4.8A 1/6HP ASSEMBLED
 BR MED HI 3.1A 1/9HP IN MEXICO
 BU MED 2.6A 1/12HP
 RD LOW 2.3A 1/15HP WH COM

CONN. LABEL
 63T473J-25

CCWLE

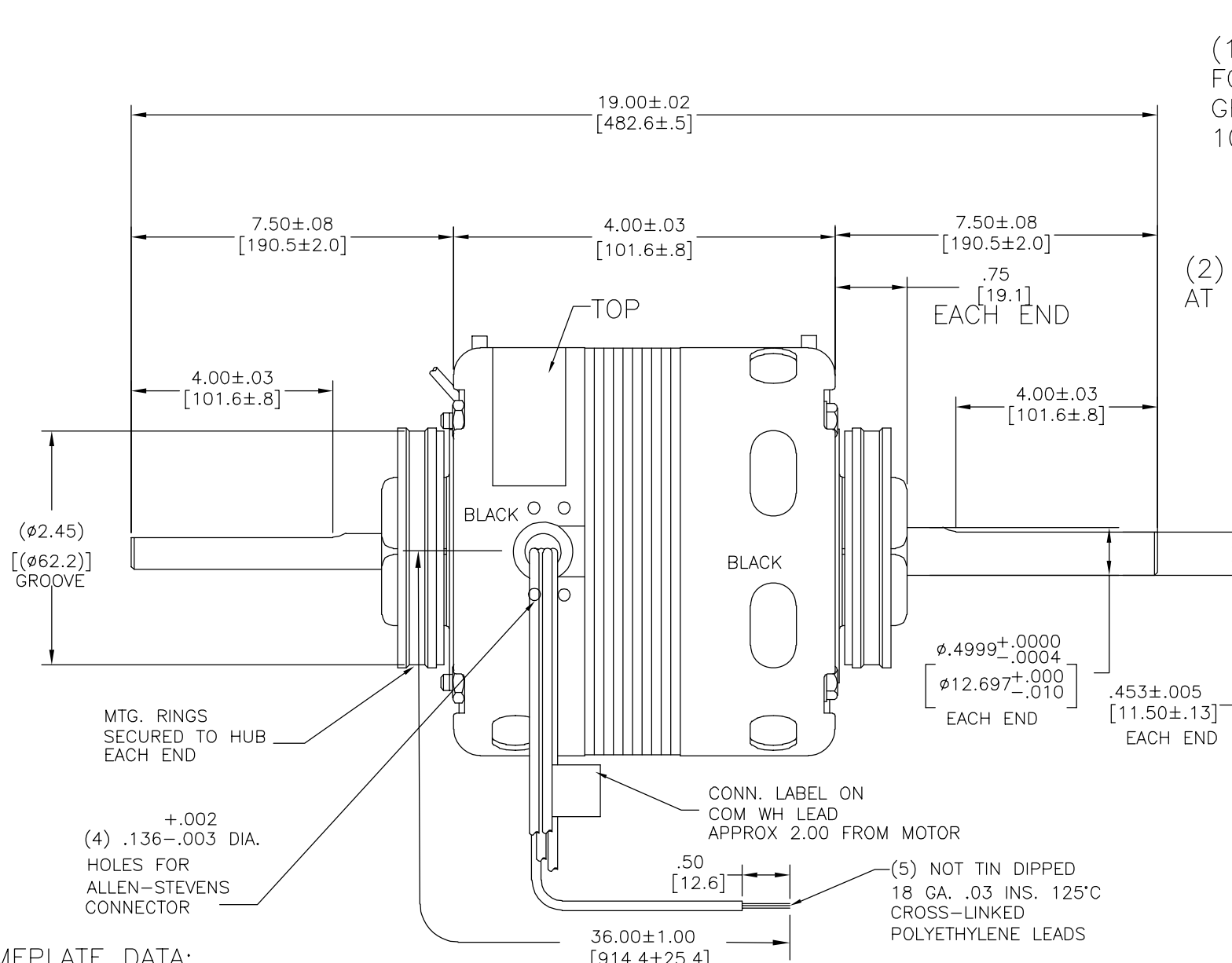
ELECTRICALLY PER
 SAMPLE S-5906C

CARACTERISTICAS DE GEOMETRIA Y SIMBOLOS □ PLANICIDAD — RECTITUD ∠ ANGULARIDAD ⊥ PERPENDICULARIDAD (A ESCUADRA) // PARALELISMO ○ REDONDEZ (CIRCULARIDAD) ∅ CILINDRICIDAD △ PERFIL DE CUALQUIER SUPERFICIE ∇ PERFIL DE CUALQUIER LINEA ↑ VARIACION ⊕ POSICION REAL ⊙ CONCENTRICIDAD = SIMETRIA	A MENOS QUE SE ESPECIFIQUE DE OTRA MANERA, LAS TOLERANCIAS DE LAS DIMS; SON LAS SIGUIENTES: PULG ±.1 ±.02 ±.005 ±.0005 mm ±0.5 ±0.13 ±0.013 ANG. ±50 GRADOS ELIMINAR REBABAS Y ORILLAS FILOSAS DEL BORDE. PULG .003-.015 mm 0.1-0.4 FILETEAR ESQUINA: PULG .020 mm 0.5 MAQUINAR SUPERFICIES PULG 125 mm 3.2
---	---

DIBUJADO POR: APROBADO POR: TERCER ANGULO DE PROYECCION CONFIDENCIAL: ESTE DIBUJO Y SU INFORMACION SON PROPIEDAD DE USO EXCLUSIVO Y CONFIDENCIAL DE REGAL-BELOIT CORPORATION. Y NO DEBERAN SER REVELADOS, DUPLICADOS, DISTRIBUIDOS O USARSE DE OTRA MANERA SIN EL CONSENTIMIENTO ESCRITO DE REGAL-BELOIT CORPORATION. -TODOS LOS DERECHOS RESERVADOS.	FECHA EDS: 11-11-2011 REV. FORMATO: H
--	--

REGAL REGAL-BELOIT CORPORATION
DESCRIPCION: OUTLINE
TAMAÑO: C NUMERO DE DIBUJO: CA2J180
ESCALA: NONE HOJA: 1

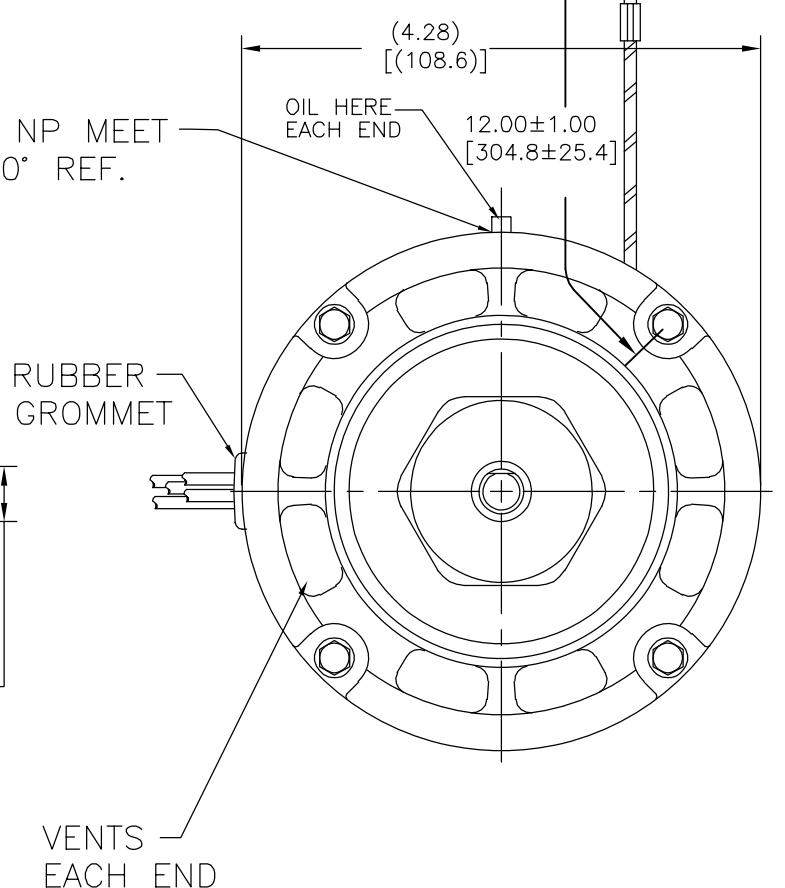
版本	ECO	编制	日期	批准	日期
BK	0027378	H.REN	07-13-2012	B.SHEN	07-13-2012



END PLAY .04[1.0] MAXIMUM

(1) AMP TERM #350436-2 FOR #10 SCREW ON GN/YE GROUND 18 GA. .03 INS. 105°C PVC ON L.E.

(2) NP MEET AT 0° REF.



NAMEPLATE DATA:



THERMALLY PROTECTED

Tipp City, OH



SER. DATE PLT MOD CA2J180N# STK NO 407
115V 60HZ 4.8A 1550RPM 1PH CONT AO ←ROT←

BK HIGH 4.8A 1/6HP
BR MED HI 3.1A 1/9HP
BU MED 2.6A 1/12HP
RD LOW 2.3A 1/15HP WH COM

ASSEMBLED IN MEXICO

CONN. LABEL
63T473J-25

CCWLE

ELECTRICALLY PER
SAMPLE S-5906C

形位公差	除另有注明
□ 平面度	尺寸公差如下:
— 直线度	英寸 X XX XXX XXXX
∠ 倾斜度	英寸 ±.1 ±.02 ±.005 ±.0005
⊥ 垂直度	毫米 ±0.5 ±0.13 ±0.013
// 平行度	角度 ±.50 度
○ 圆度	清理毛刺和尖棱
⊘ 圆柱度	英寸 .003-.015 毫米 0.1-0.4
△ 面轮廓度	内圆角
∇ 线轮廓度	英寸 .020 毫米 0.5
↗ 圆跳动	表面粗糙度
⊕ 位置度	英制 125 米制 3.2
◎ 同轴度	米制尺寸显示在 []
≡ 对称度	

ASME Y14.5M 1994

绘图:	
批准:	
第三角投影	
图密: 本图纸及相关信息所有权归REGAL-BELOIT CORPORATION. 未经REGAL-BELOIT CORPORATION书面授权, 不得泄露、复制、传播或作其他用途。—版权所有	

名称	REGAL-BELOIT CORPORATION
图幅	C
图号	CA2J180
比例	NONE
页号	1

名称	OUTLINE
图幅	C
图号	CA2J180
比例	NONE
页号	1