

PRODUCT INFORMATION PACKET



Model No: 415
Catalog No: 415
1/12 HP Fan & Blower Motor, 1050 RPM, 115 Volts, 42 Frame, OAO

Fan and Blower Motors



Regal and Century are trademarks of Regal Rexnord Corporation or one of its affiliated companies.
©2022 Regal Rexnord Corporation, All Rights Reserved. MC017097E





Nameplate Specifications

Output HP	1/12 Hp	Output KW	0.06 kW
Frequency	60 Hz	Voltage	115 V
Current	2.5 A	Speed	1050 rpm
Service Factor	1	Phase	1
Duty	Continuous Air Over	Insulation Class	A
Frame	42	Enclosure	Open Air Over
Thermal Protection	Automatic	Ambient Temperature	40 °C
UL	Recognized	CSA	Y
CE	N	Number of Speeds	1

Technical Specifications

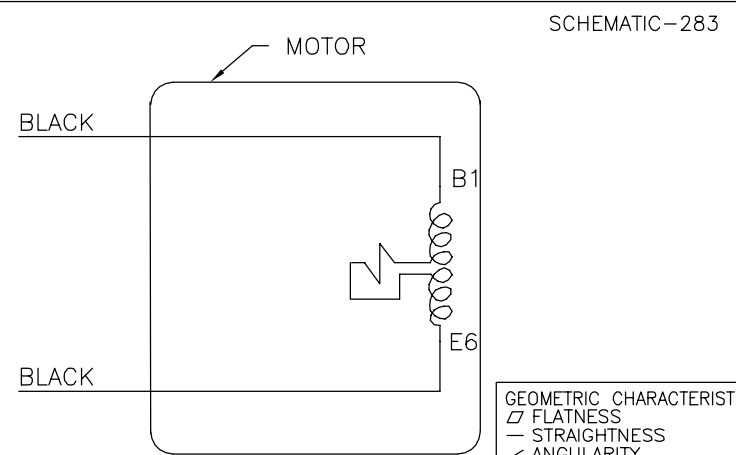
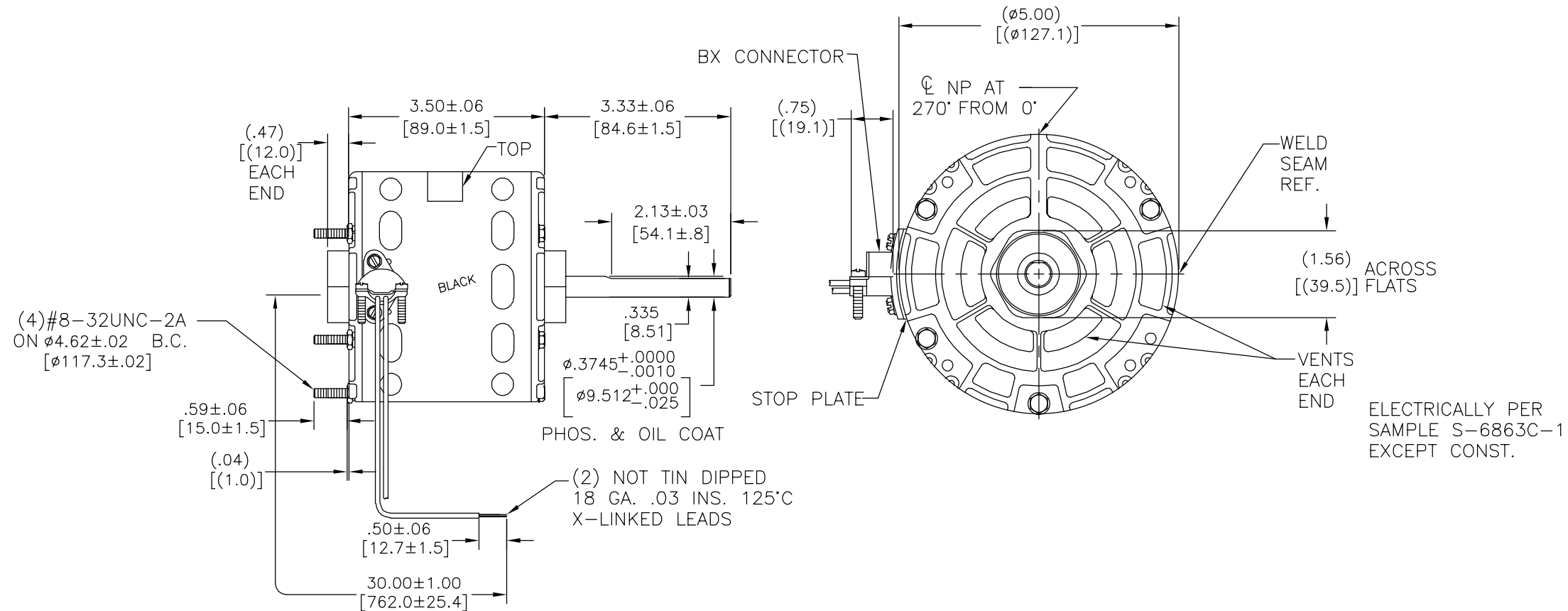
Electrical Type	Shaded Pole	Starting Method	Across The Line
Poles	6	Rotation	Clockwise Shaft End
Mounting	Extended Studs	Motor Orientation	Horizontal
Drive End Bearing	Ball	Opp Drive End Bearing	Ball
Frame Material	Rolled Steel	Shaft Type	Flat
Overall Length	6.83 in	Frame Length	2.92 in
Shaft Diameter	0.375 in	Shaft Extension	3.33 in
Outline Drawing	DB3F7015-S01		

This is an uncontrolled document once printed or downloaded and is subject to change without notice. Date Created:02/07/2022

REV	ECO	REV BY	DATE	APPD	DATE
K	ECO-0036315	A.BAUGHMAN	08-08-2013	T.RILEY	08-08-2013

CUSTOMER IS SOLELY RESPONSIBLE FOR MOTOR PERFORMANCE AND SUITABILITY IN APPLICATIONS FOR CUSTOMER'S USES.

OLE BEARING PRELOAD
 MAX. SHAFT RUN OUT .001[.03] PER INCH MAX.
 RUN OUT NOT TO EXCEED .010[.25]



SCHMATIC-283 ROT.:— CCWLE—CWSE

NAMEPLATE DATA:

Tipp City, OH THERMALLY PROTECTED

SER. DATE & PO# PLT LTR MOD DB3F015N# STK NO. 415
 VOLTS 115 HZ 60 AMPS 2.5
 RPM 1050 SP PH1 CAP
 INS CL AMB °C HP 1/12 CONT A0
 BRG BALL ASSEMBLED IN MEXICO

GEOMETRIC CHARACTERISTICS & SYMBOLS

- FLATNESS
- STRAIGHTNESS
- ∠ ANGULARITY
- ⊥ PERPENDICULARITY (SQUARENESS)
- ∥ PARALLELISM
- ROUNDNESS (CIRCULARITY)
- ⊘ CYLINDRICITY
- △ PROFILE OF ANY SURFACE
- ∩ PROFILE OF ANY LINE
- ↗ RUNOUT
- ⊕ TRUE POSITION
- ◎ CONCENTRICITY
- ≡ SYMMETRY

ASME Y14.5M 1994

UNLESS OTHERWISE SPECIFIED DIM. TOLERANCES ARE AS FOLLOWS:

INCH	X	XX	XXX	XXXX
	±.1	±.02	±.005	±.0005
mm	±0.5	±0.13	±0.013	

ANG. ±.50 DEG
 REMOVE BURRS & BREAK SHARP EDGES:
 INCH .003-.015 mm 0.1-0.4
 CORNER FILLETS TO:
 INCH .020 mm 0.5
 MACHINE SURFACES:
 INCH 125 mm 3.2

METRIC DIMS. SHOWN IN [BRACKETS]

DR BY: DLC 01-08-1999

APPD: TLB

THIRD ANGLE PROJECTION

EDS DATE 11-11-2011
 FORMAT REV H

CONFIDENTIAL: THIS DRAWING AND ITS INFORMATION ARE THE EXCLUSIVE AND CONFIDENTIAL PROPERTY OF REGAL-BELOIT CORPORATION AND ARE NOT TO BE DISCLOSED, DUPLICATED, DISTRIBUTED OR OTHERWISE USED WITHOUT THE WRITTEN CONSENT OF REGAL-BELOIT CORPORATION. -ALL RIGHTS RESERVED.

REGAL REGAL-BELOIT CORPORATION

DESCRIPTION: MODEL-RFHP-42FR OUTLINE

SIZE C DWG NO DB3F7015

SCALE NONE SHEET 1