

PRODUCT INFORMATION PACKET



Model No: 420

Catalog No: 420

Fan Coil & Air Conditioner Motor, 1/10-1/15-1/20 HP, 1 Ph, 60 Hz, 115 V, 1550 RPM, 3 Speed,
4.4" Diameter, OPEN



Regal and Century are trademarks of Regal Rexnord Corporation or one of its affiliated companies.
©2022 Regal Rexnord Corporation, All Rights Reserved. MC017097E





Nameplate Specifications

Output HP	1/10-1/15-1/20 Hp	Output KW	0.07 kW
Frequency	60 Hz	Voltage	115 V
Current	3.3/2.4/1.7 A	Speed	1550 rpm
Service Factor	1	Phase	1
Duty	Continuous Air Over	Insulation Class	B
Frame	4.4	Enclosure	Open Enclosed
Thermal Protection	Automatic	Ambient Temperature	40 °C
UL	Recognized	CSA	Y
CE	N	Number of Speeds	3

Technical Specifications

Electrical Type	Shaded Pole	Starting Method	Across The Line
Poles	4	Rotation	Counterclockwise Lead End
Mounting	Resilient Rings	Motor Orientation	Horizontal
Drive End Bearing	Sleeve	Opp Drive End Bearing	Sleeve
Frame Material	Rolled Steel	Shaft Type	Flat
Overall Length	16.75 in	Shaft Diameter	0.500 in
Shaft Extension	7 1/2 X 1/2 X 7 1/2 in		
Outline Drawing	CA2F061-S01		

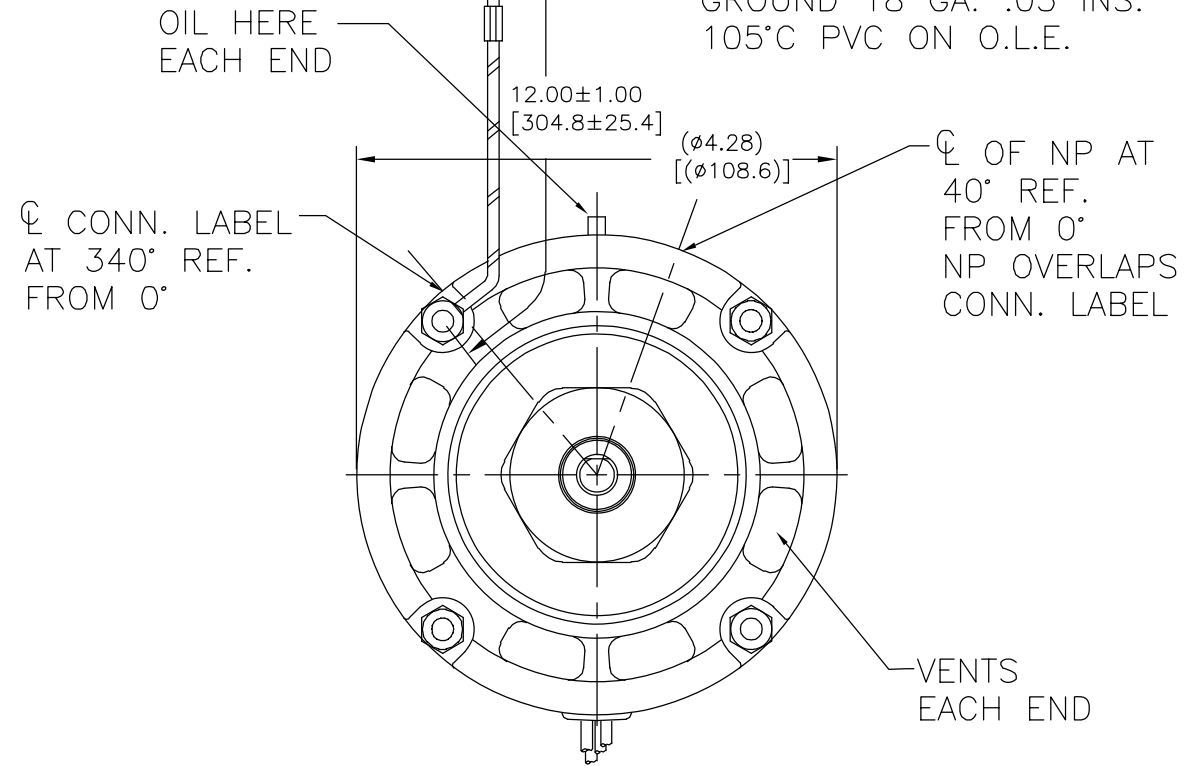
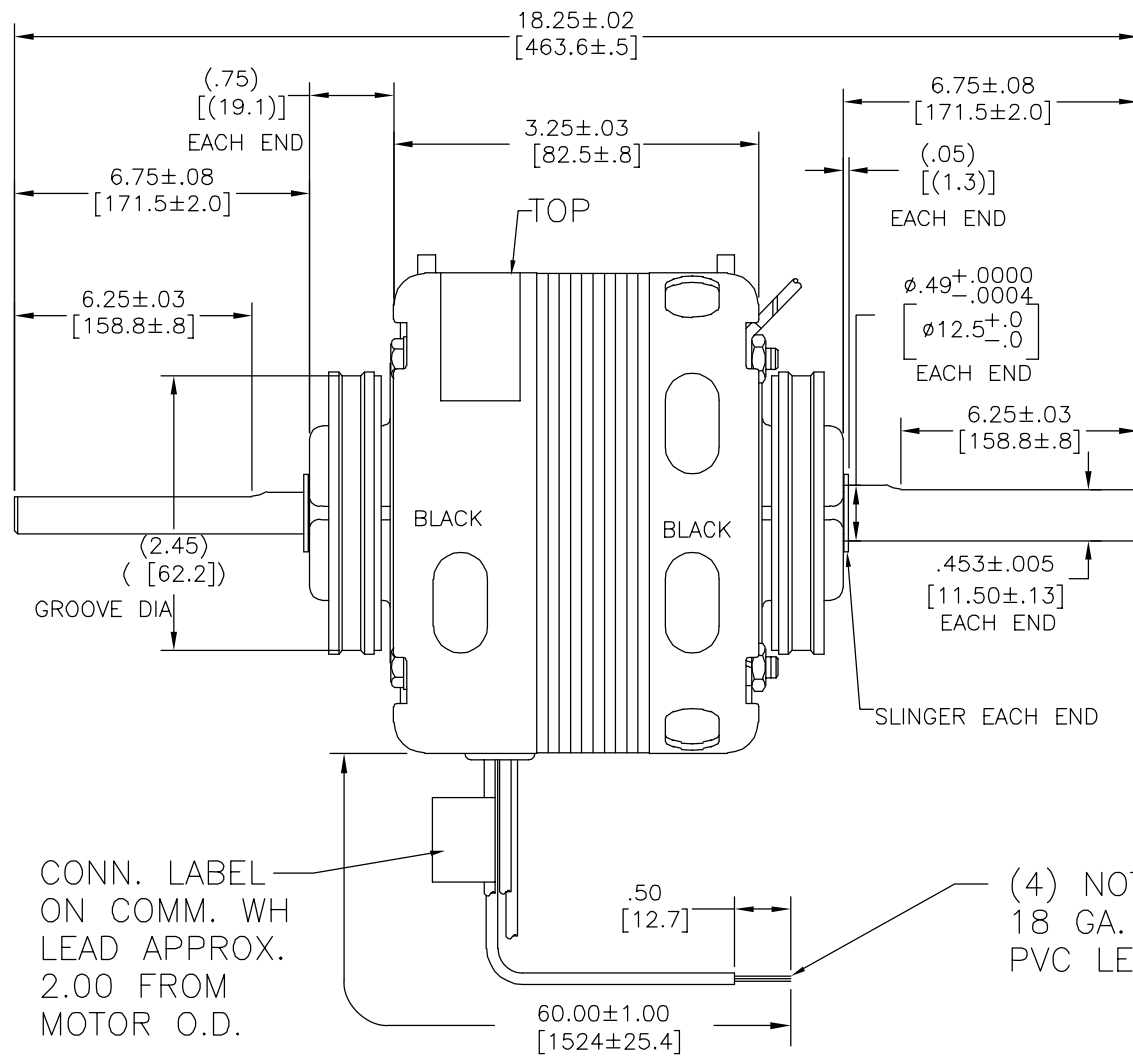
This is an uncontrolled document once printed or downloaded and is subject to change without notice. Date Created:11/29/2022

REV	ECO	REV BY	DATE	APPD	DATE
BR	0027378	H.REN	07-13-2012	B.SHEN	07-13-2012

CUSTOMER IS SOLELY RESPONSIBLE FOR MOTOR PERFORMANCE AND SUITABILITY IN APPLICATIONS FOR CUSTOMER'S USES

END PLAY .04 MAX.

(1) AMP TERM #350436-2 FOR #10 SCREW ON GN/YE GROUND 18 GA. .03 INS. 105°C PVC ON O.L.E.



(4) NOT TIN DIPPED 18 GA. .03 INS. 105°C PVC LEADS

NAMEPLATE DATA:



THERMALLY PROTECTED

Tipp City, OH

SER. DATE PLT MOD CA2F061N# STOCK NO 420
115V 60HZ 3.3A 1550RPM 1PH CONT A.O.

← ROTATION → ASSEMBLED IN MEXICO

CONN. LABEL
63T473J-8

ELECTRICALLY PER
SAMPLE S-6944C

BLACK HIGH 1/10HP 3.3A
BLUE MEDIUM 1/15HP 2.4A
RED LOW 1/20HP 1.7A
WHITE COMMON

GEOMETRIC CHARACTERISTICS & SYMBOLS

- ▭ FLATNESS
- STRAIGHTNESS
- ∠ ANGULARITY
- ⊥ PERPENDICULARITY (SQUARENESS)
- // PARALLELISM
- ROUNDNESS (CIRCULARITY)
- ⊘ CYLINDRICITY
- △ PROFILE OF ANY SURFACE
- ▽ PROFILE OF ANY LINE
- ↗ RUNOUT
- ⊕ TRUE POSITION
- ◎ CONCENTRICITY
- ≡ SYMMETRY

ASME Y14.5M 1994

UNLESS OTHERWISE SPECIFIED DIM. TOLERANCES ARE AS FOLLOWS:

INCH X XX XXX XXXX
mm ±0.5 ±0.13 ±0.013

ANG. ±.50 DEG
REMOVE BURRS & BREAK SHARP EDGES:
INCH .003-.015 mm 0.1-0.4

CORNER FILLETS TO:
INCH .020 mm 0.5

MACHINE SURFACES:
INCH 125 mm 3.2

METRIC DIMS. SHOWN IN [BRACKETS]

DR BY:

APPD:

THIRD ANGLE PROJECTION

EDS DATE 11-11-2011
FORMAT REV H

CONFIDENTIAL: THIS DRAWING AND ITS INFORMATION ARE THE EXCLUSIVE AND CONFIDENTIAL PROPERTY OF REGAL-BELOIT CORPORATION AND ARE NOT TO BE DISCLOSED, DUPLICATED, DISTRIBUTED OR OTHERWISE USED WITHOUT THE WRITTEN CONSENT OF REGAL-BELOIT CORPORATION. -ALL RIGHTS RESERVED.



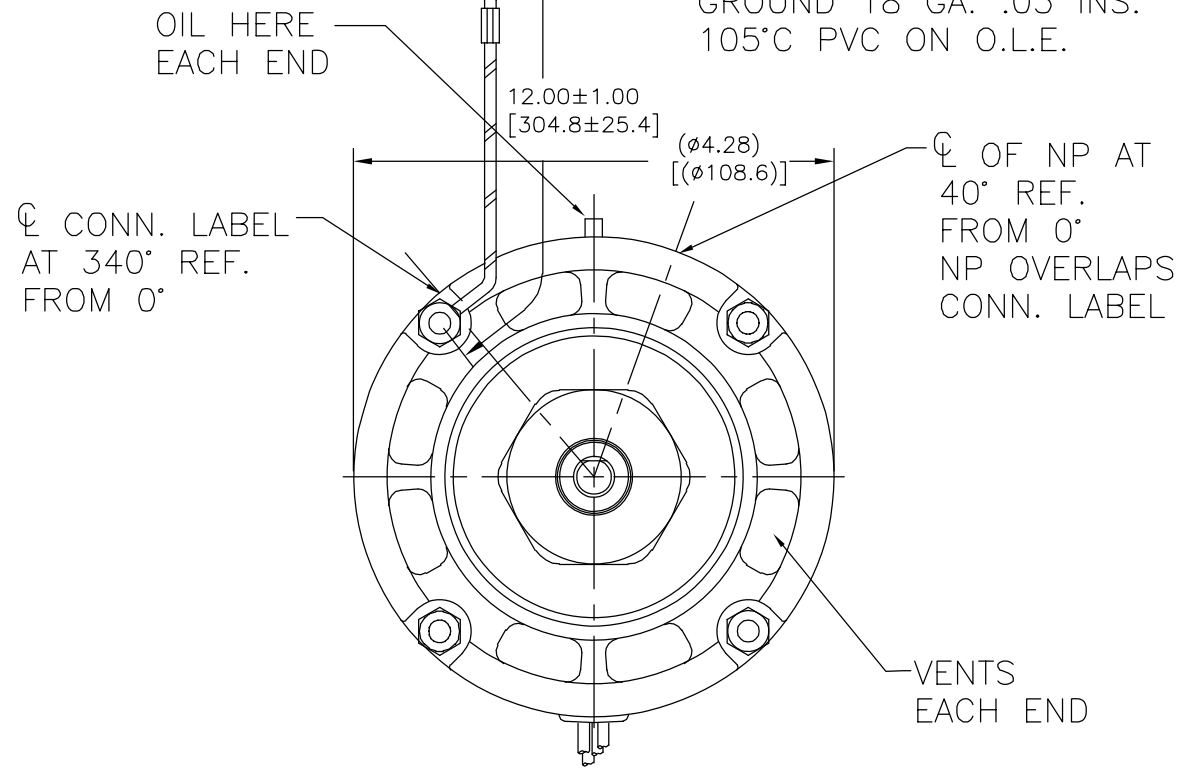
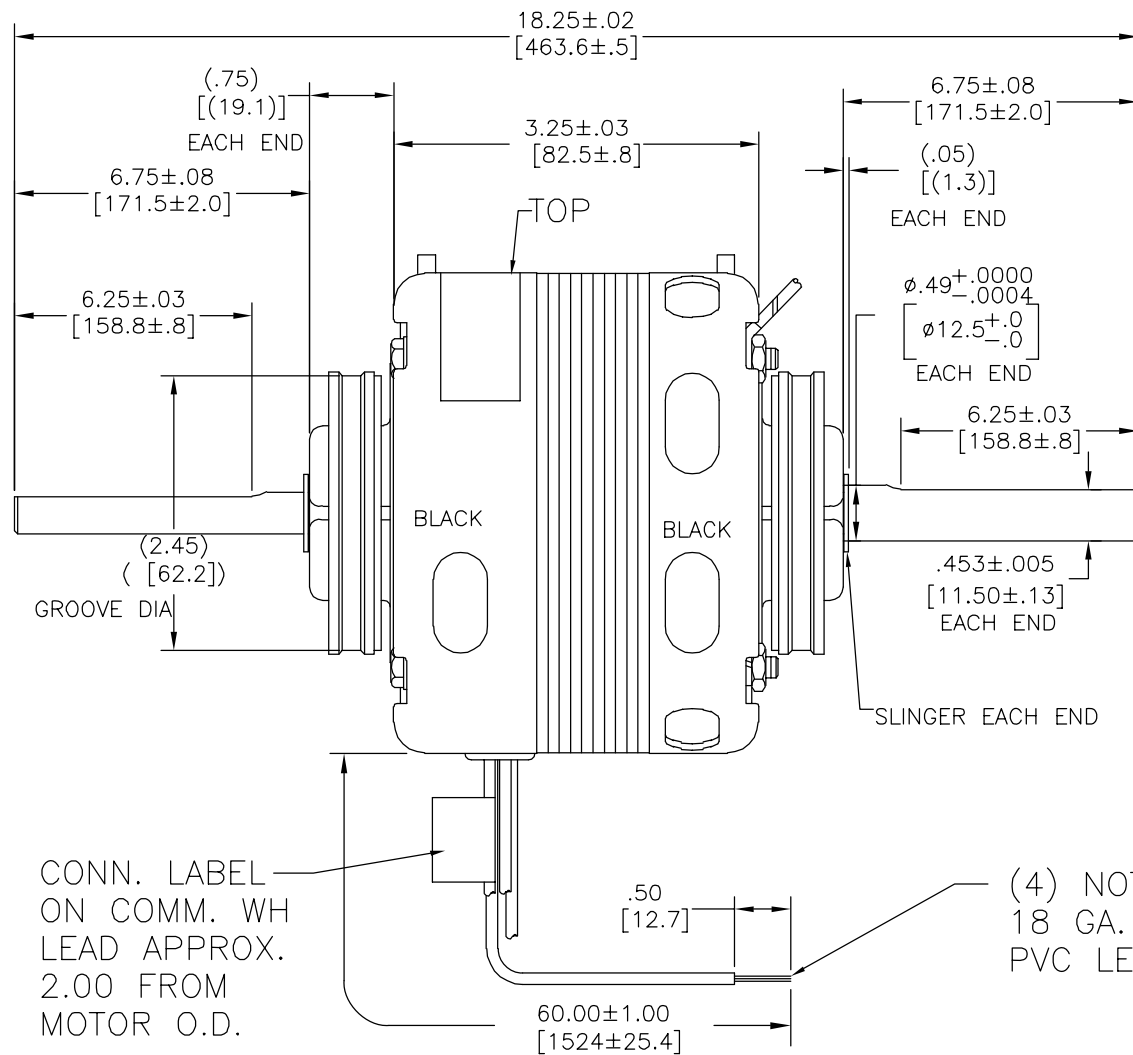
DESCRIPTION		OUTLINE	
SIZE	C	DWG NO	CA2F061
SCALE	NONE	SHEET	1

REVISION:	ECO	REVISADO POR:	FECHA:	APROBADO POR:	FECHA:
BR	0027378	H.REN	07-13-2012	B.SHEN	07-13-2012

CUSTOMER IS SOLELY RESPONSIBLE FOR MOTOR PERFORMANCE AND SUITABILITY IN APPLICATIONS FOR CUSTOMER'S USES

END PLAY .04 MAX.

(1) AMP TERM #350436-2 FOR #10 SCREW ON GN/YE GROUND 18 GA. .03 INS. 105°C PVC ON O.L.E.



(4) NOT TIN DIPPED 18 GA. .03 INS. 105°C PVC LEADS

NAMEPLATE DATA:



THERMALLY PROTECTED

Tipp City, OH

SER. DATE PLT MOD CA2F061N# STOCK NO 420
115V 60HZ 3.3A 1550RPM 1PH CONT A.O.



ASSEMBLED IN MEXICO

CONN. LABEL
63T473J-8

ELECTRICALLY PER
SAMPLE S-6944C

CCWLE

BLACK HIGH 1/10HP 3.3A
BLUE MEDIUM 1/15HP 2.4A
RED LOW 1/20HP 1.7A
WHITE COMMON

CARACTERISTICAS DE GEOMETRIA Y SIMBOLOS
 □ PLANICIDAD
 - RECTITUD
 < ANGULARIDAD
 ⊥ PERPENDICULARIDAD (A ESQUADRA)
 // PARALELISMO
 ○ REDONDEZ (CIRCULARIDAD)
 ∅ CILINDRICIDAD
 △ PERFIL DE CUALQUIER SUPERFICIE
 ▲ PERFIL DE CUALQUIER LINEA
 ∇ VARIACION
 ⊕ POSICION REAL
 ⊙ CONCENTRICIDAD
 = SIMETRIA

A MENOS QUE SE ESPECIFIQUE DE OTRA MANERA, LAS TOLERANCIAS DE LAS DIMS; SON LAS SIGUIENTES:
 PULG ±.1 ±.02 ±.005 ±.0005
 mm ±0.5 ±0.13 ±0.013
 ANG. ±50 GRADOS
 ELIMINAR REBABAS Y ORILLAS FILOSAS DEL BORDE.
 PULG .003-.015 mm 0.1-0.4
 FILETEAR ESQUINA: PULG .020 mm 0.5
 MAQUINAR SUPERFICIES
 PULG 125 mm 3.2

DIBUJADO POR:
 APROBADO POR:
 TERCER ANGULO DE PROYECCION
 CONFIDENCIAL: ESTE DIBUJO Y SU INFORMACION SON PROPIEDAD DE USO EXCLUSIVO Y CONFIDENCIAL DE REGAL-BELOIT CORPORATION. Y NO DEBERAN SER REVELADOS, DUPLICADOS, DISTRIBUIDOS O USARSE DE OTRA MANERA SIN EL CONSENTIMIENTO ESCRITO DE REGAL-BELOIT CORPORATION. -TODOS LOS DERECHOS RESERVADOS.

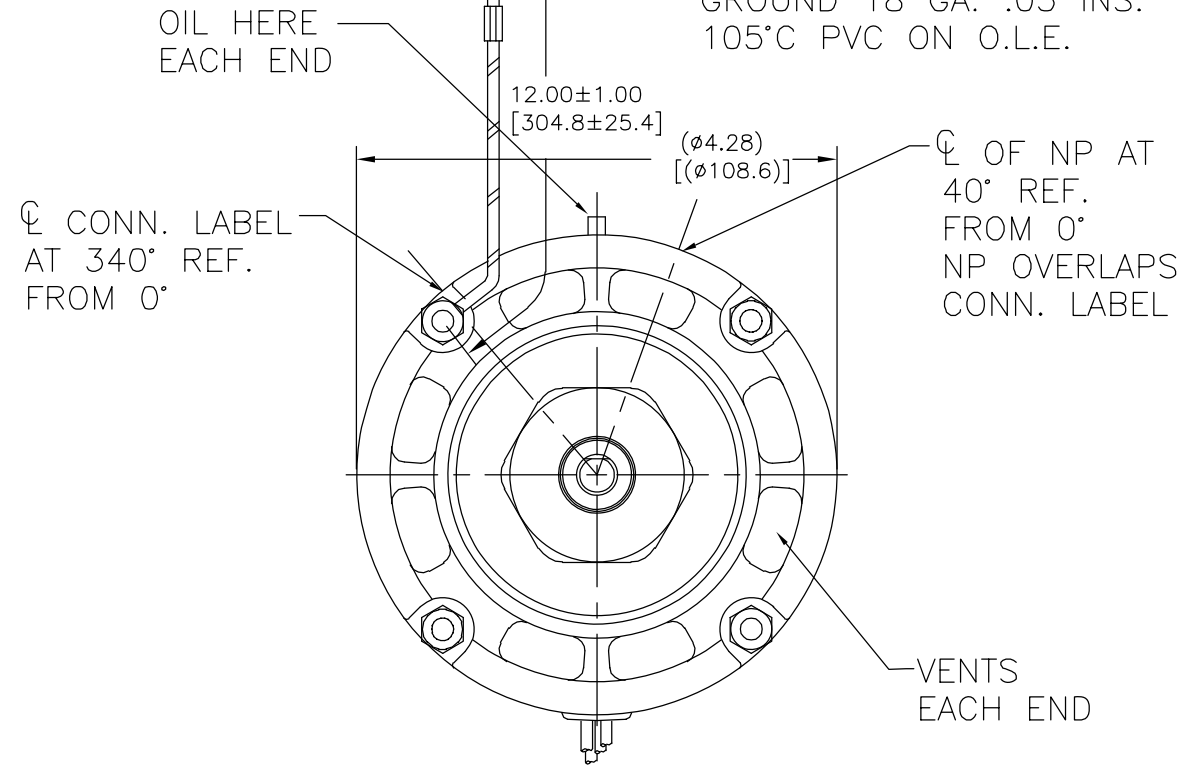
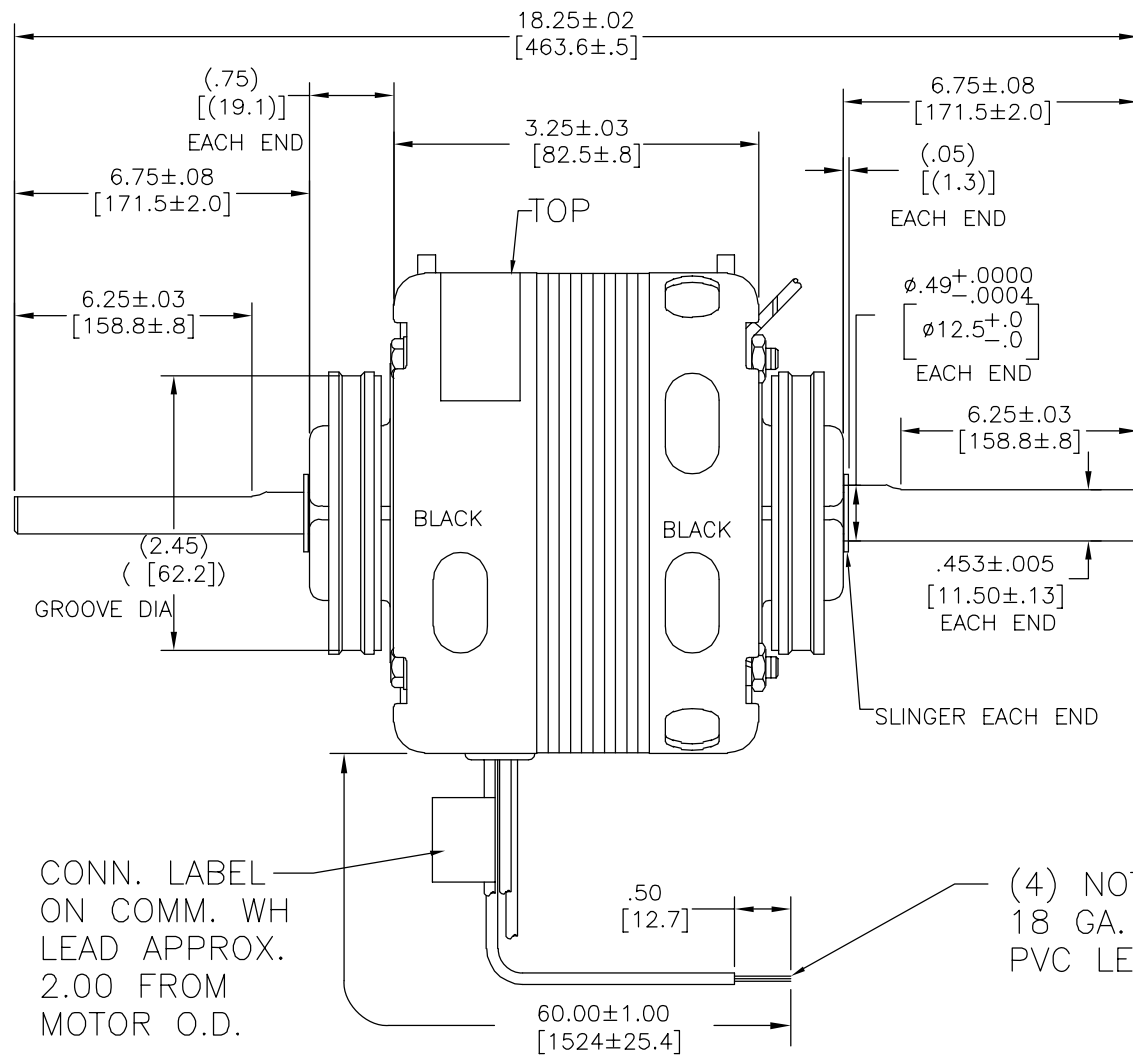
REGAL REGAL-BELOIT CORPORATION
 DESCRIPCION: OUTLINE
 TAMAÑO: C NUMERO DE DIBUJO: CA2F061
 ESCALA: NONE HOJA: 1

版本	ECO	编制	日期	批准	日期
BR	0027378	H.REN	07-13-2012	B.SHEN	07-13-2012

CUSTOMER IS SOLELY RESPONSIBLE FOR MOTOR PERFORMANCE AND SUITABILITY IN APPLICATIONS FOR CUSTOMER'S USES

END PLAY .04 MAX.

(1) AMP TERM #350436-2 FOR #10 SCREW ON GN/YE GROUND 18 GA. .03 INS. 105°C PVC ON O.L.E.



(4) NOT TIN DIPPED 18 GA. .03 INS. 105°C PVC LEADS

NAMEPLATE DATA:



THERMALLY PROTECTED

Tipp City, OH

SER. DATE PLT MOD CA2F061N# STOCK NO 420
115V 60HZ 3.3A 1550RPM 1PH CONT A.O.

← ROTATION →

ASSEMBLED IN MEXICO

CONN. LABEL
63T473J-8

ELECTRICALLY PER
SAMPLE S-6944C

CCWLE

BLACK HIGH 1/10HP 3.3A
BLUE MEDIUM 1/15HP 2.4A
RED LOW 1/20HP 1.7A
WHITE COMMON

形位公差	除另有注明
□ 平面度	尺寸公差如下:
— 直线度	英寸 X XX XXX XXXX
∠ 倾斜度	英寸 ±.1 ±.02 ±.005 ±.0005
⊥ 垂直度	毫米 ±0.5 ±0.13 ±0.013
// 平行度	角度 ±.50 度
○ 圆度	清理毛刺和尖棱
⊘ 圆柱度	英寸 .003-.015 毫米 0.1-0.4
⊖ 内圆角	英寸 .020 毫米 0.5
△ 面轮廓度	表面粗糙度
∩ 线轮廓度	英制 125 米制 3.2
↗ 圆跳动	米制尺寸显示在 []
⊕ 位置度	
⊙ 同轴度	
≡ 对称度	

ASME Y14.5M 1994

除另有注明	尺寸公差如下:
英寸 X XX XXX XXXX	
英寸 ±.1 ±.02 ±.005 ±.0005	
毫米 ±0.5 ±0.13 ±0.013	
角度 ±.50 度	
清理毛刺和尖棱	
英寸 .003-.015 毫米 0.1-0.4	
英寸 .020 毫米 0.5	
表面粗糙度	
英制 125 米制 3.2	
米制尺寸显示在 []	

绘图:	
批准:	
第三角投影	
图纸格式发布日期	11-11-2011
图纸格式版本	H
机密: 本图纸及相关信息所有权归REGAL-BELOIT CORPORATION. 未经REGAL-BELOIT CORPORATION书面授权, 不得泄露、复制、传播或作其他用途。一版权所有	

REGAL-BELOIT CORPORATION	
名称	OUTLINE
图幅	C
图号	CA2F061
比例	NONE
页号	1