

PRODUCT INFORMATION PACKET



Model No: 429
Catalog No: 429

Fan and Blower Motor, 1/5-1/6-1/8 HP, 1 Ph, 60 Hz, 208-230 V, 1050 RPM, 3 Speed, 42 Frame, OAO



Regal and Century are trademarks of Regal Rexnord Corporation or one of its affiliated companies.
©2022 Regal Rexnord Corporation, All Rights Reserved. MC017097E





Nameplate Specifications

Output HP	1/5-1/6-1/8 Hp	Output KW	0.15 kW
Frequency	60 Hz	Voltage	208-230 V
Current	3.4 A	Speed	1050 rpm
Service Factor	1	Phase	1
Duty	Continuous Air Over	Insulation Class	A
Frame	42Y	Enclosure	Open Air Over
Thermal Protection	Automatic	Ambient Temperature	40 °C
UL	Recognized	CSA	Y
CE	N	Number of Speeds	3

Technical Specifications

Electrical Type	Shaded Pole	Starting Method	Across The Line
Poles	6	Rotation	Clockwise Shaft End
Mounting	Resilient Rings	Motor Orientation	Horizontal
Drive End Bearing	Sleeve	Opp Drive End Bearing	Sleeve
Frame Material	Rolled Steel	Shaft Type	Flat
Overall Length	7.84 in	Frame Length	3.42 in
Shaft Diameter	0.500 in	Shaft Extension	3.84 in
Outline Drawing	DA3J7067-S01		

This is an uncontrolled document once printed or downloaded and is subject to change without notice. Date Created:11/29/2022

4

3

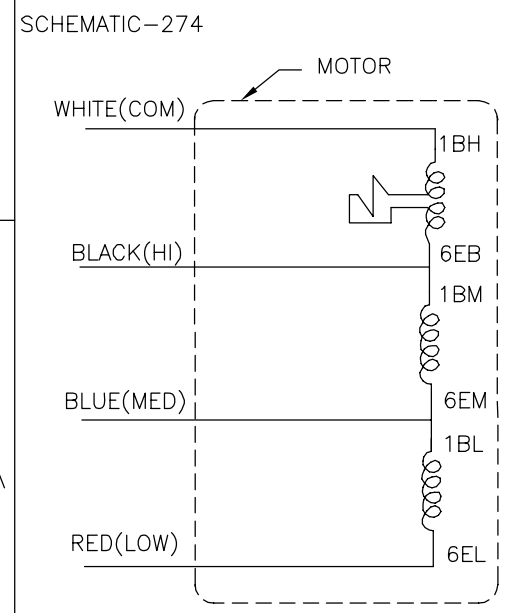
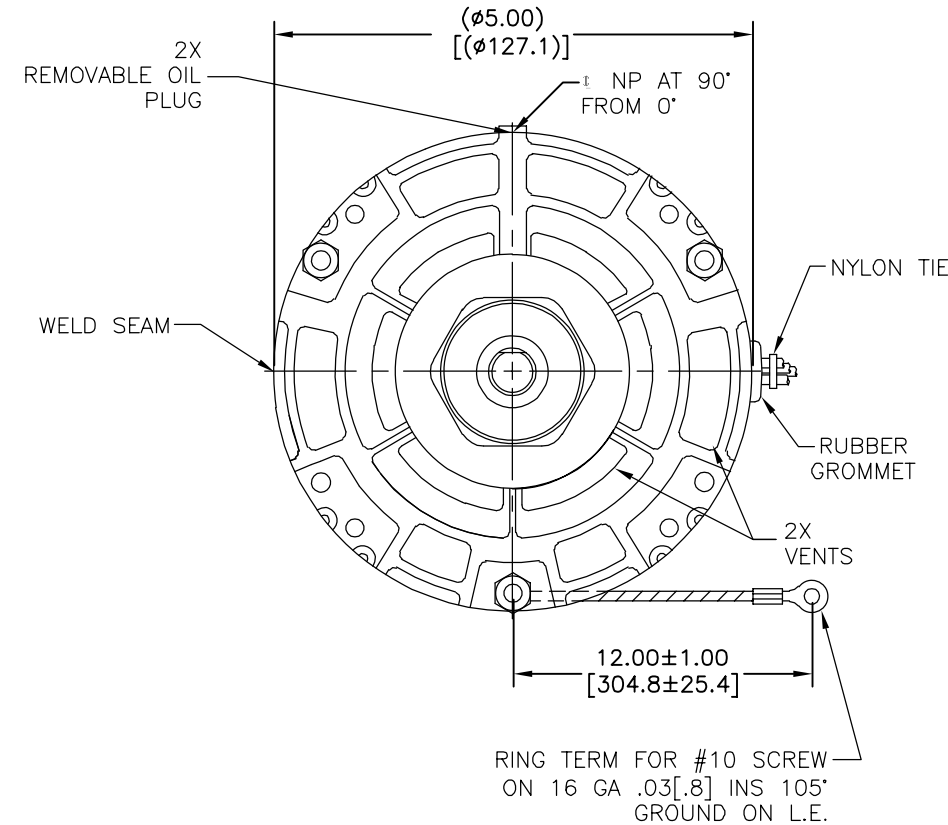
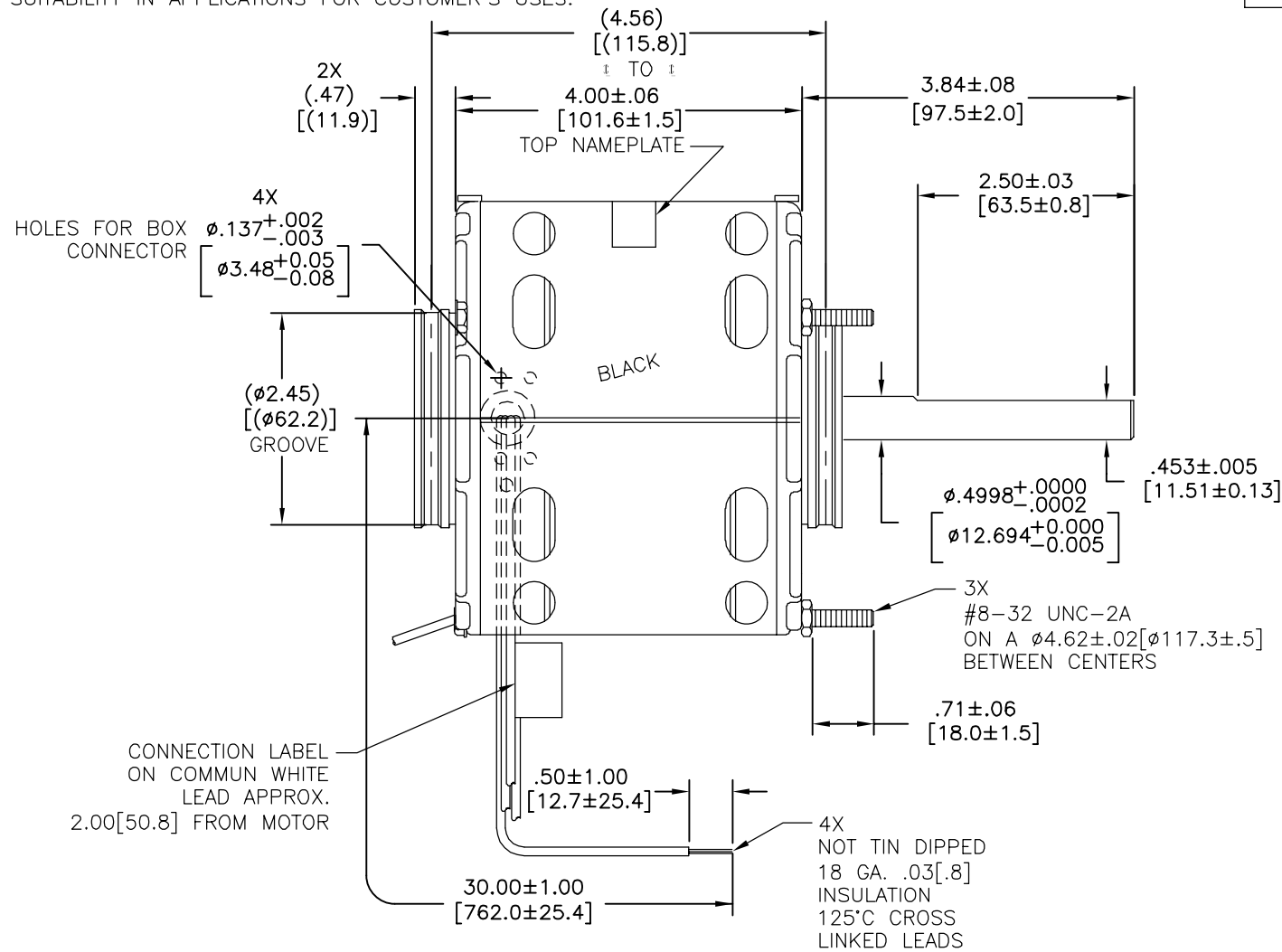
2

1

CUSTOMER IS SOLELY RESPONSIBLE FOR MOTOR PERFORMANCE AND SUITABILITY IN APPLICATIONS FOR CUSTOMER'S USES.

REV	ECO	REV BY	DATE	APPD	DATE
J	0028996	E.SINECIO	10-16-2012	G.ALVIDREZ	10-16-2012

END PLAY .005[.13] MIN - .040[1.02] MAX
 MAX. SHAFT RUN OUT .001[.02] PER INCH
 MAX. RUN OUT NOT TO EXCEED .010[.25]



NOTE
 1. DISTRIBUTION PART NUMBER: 429
 GRAINGER PART NUMBER: 4KA48

SEE NOTE 1

ROT: CCWLE-CWSE

NAMEPLATE DATA:

Century Tipp City, OH THERMALLY PROTECTED
 SER. DATE & PO# PLT LTR MOD DA3J067N# []
 VOLTS 208-230 HZ 60 AMPS 3.4
 RPM 1050 SP PH 1 CAP.
 INS CL AMB °C HP CONT A.O. ← ROTATION →
 BRG SLV
 BK HI 3.4A 1/5 HP BU MED 2.7A 1/6 HP
 RD LOW 2.2A 1/8 HP WH COM ASSEMBLED IN MEXICO

ELECTRICALLY PER
 SAMPLE S-7689C
 EXCEPT CONSTRUCTION

GEOMETRIC CHARACTERISTICS & SYMBOLS
 ▭ FLATNESS
 — STRAIGHTNESS
 < ANGULARITY
 ⊥ PERPENDICULARITY (SQUARENESS)
 // PARALLELISM
 ○ ROUNDNESS (CIRCULARITY)
 ∅ CYLINDRICITY
 △ PROFILE OF ANY SURFACE
 ∩ PROFILE OF ANY LINE
 ⌀ RUNOUT
 ⊕ TRUE POSITION
 ⊙ CONCENTRICITY
 = SYMMETRY
 ASME Y14.5M 1994

UNLESS OTHERWISE SPECIFIED
 DIM. TOLERANCES ARE AS FOLLOWS:
 INCH X XX XXX XXXX
 ±.1 ±.02 ±.005 ±.0005
 mm ±0.5 ±0.13 ±0.013
 ANG. ±.50 DEG
 REMOVE BURRS & BREAK SHARP EDGES:
 INCH .003-.015 mm 0.1-0.4
 CORNER FILLETS TO:
 INCH .020 mm 0.5
 MACHINE SURFACES:
 INCH 125 mm 3.2
 METRIC DIMS. SHOWN IN [BRACKETS]

DR BY: DTS 10-16-1998
 APPD:
 THIRD ANGLE PROJECTION
 EDS DATE 11-11-2011
 FORMAT REV H
 CONFIDENTIAL: THIS DRAWING AND ITS INFORMATION ARE THE EXCLUSIVE AND CONFIDENTIAL PROPERTY OF REGAL-BELOIT CORPORATION AND ARE NOT TO BE DISCLOSED, DUPLICATED, DISTRIBUTED OR OTHERWISE USED WITHOUT THE WRITTEN CONSENT OF REGAL-BELOIT CORPORATION. -ALL RIGHTS RESERVED.

REGAL REGAL-BELOIT CORPORATION

DESCRIPTION
**MODEL-RFHP-42FR
 OUTLINE**
 SIZE C DWG NO DA3J7067
 SCALE NONE SHEET 1

4

3

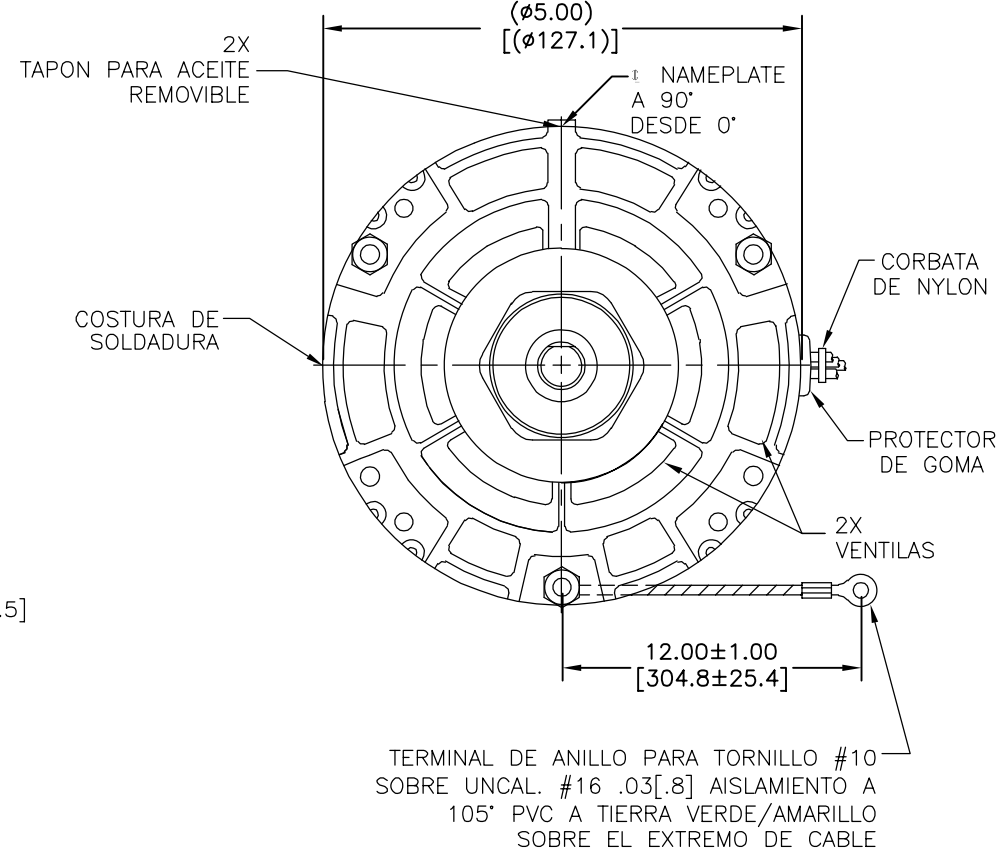
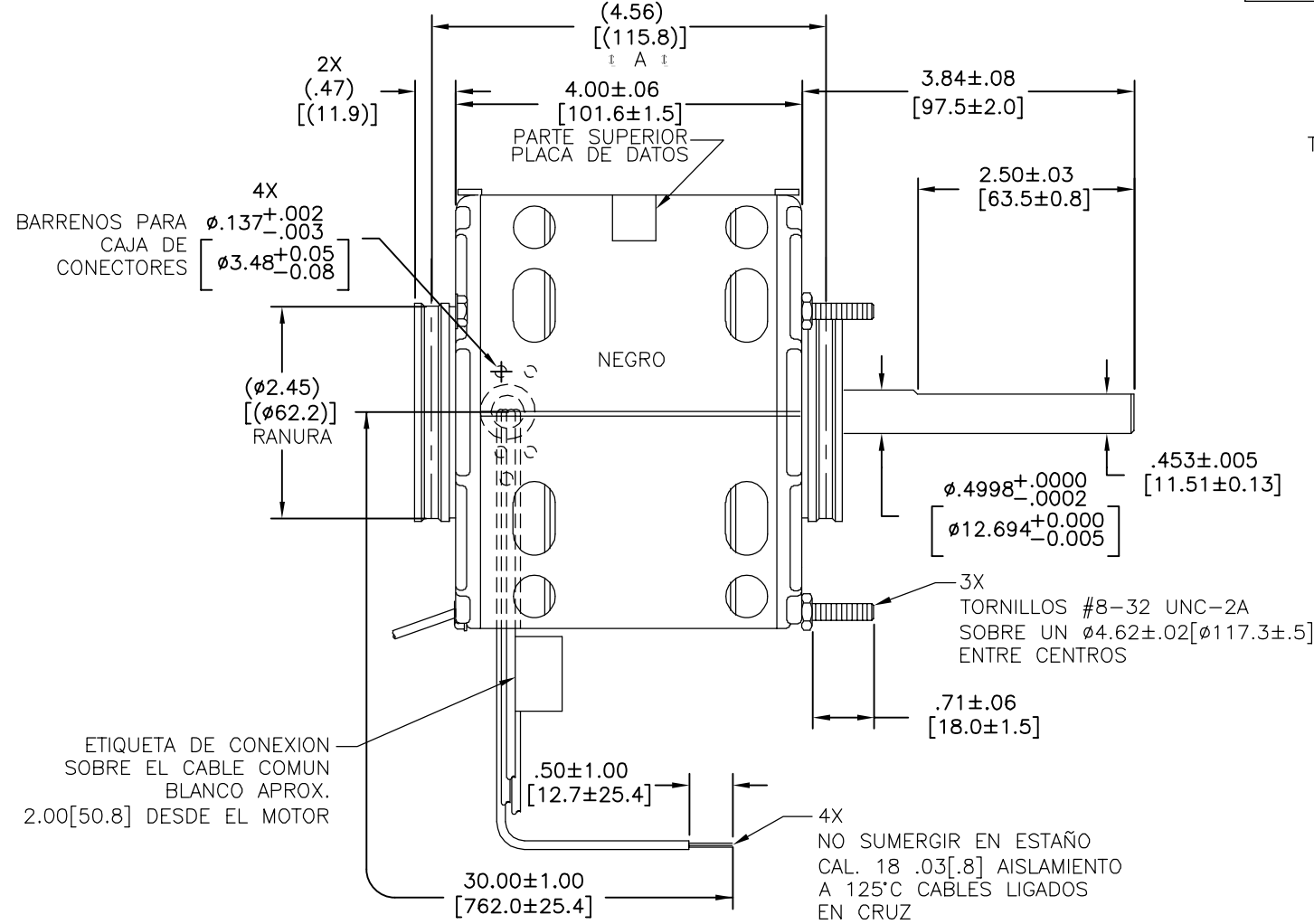
2

1

EL CLIENTE ES SOLO RESPONSABLE DEL RENDIMIENTO DEL MOTOR Y APLICACIONES CONVENIENTES PARA LOS USOS DEL CLIENTE.

REVISION:	ECO	REVISADO POR:	FECHA:	APROBADO POR:	FECHA:
J	0028996	E.SINECIO	10-16-2012	G.ALVIDREZ	10-16-2012

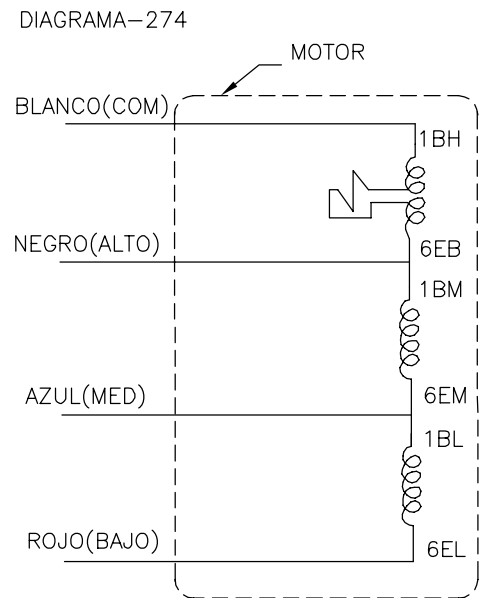
JUEGO AXIAL .005[.13] MIN - .040[1.02] MAX
 MAX. OSCILAMIENTO DE FLECHA .001[.02] POR PULGADA
 MAX. OSCILAMIENTO NO EXCEDERA DE .010[.25]



ETIQUETA DE CONEXION
63T7433-210

NOTA
 1. NO. DE PARTE DE DISTRIBUCION: 429
 NO. DE PARTE GRAINGER: 4KA48

VER NOTA 1



ELECTRICAMENTE DE ACUERDO A MUESTRA S-7689C EXCEPTO CONSTRUCCION

ROT: CCWLE-CWSE

PLACA DE DATOS:

Century Tipp City, OH THERMALLY PROTECTED

SER. DATE & PO# PLT LTR MOD DA3J067N# []

VOLTS 208-230 HZ 60 AMPS 3.4

RPM 1050 SP PH 1 CAP.

INS CL AMB °C HP CONT A.O. ← ROTATION →

BRG SLV

BK HI 3.4A 1/5 HP BU MED 2.7A 1/6 HP

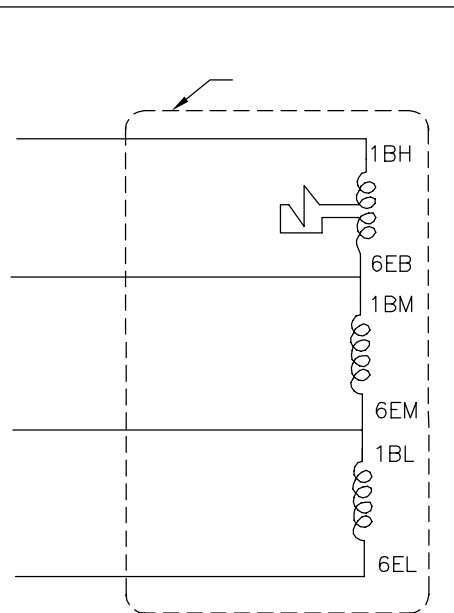
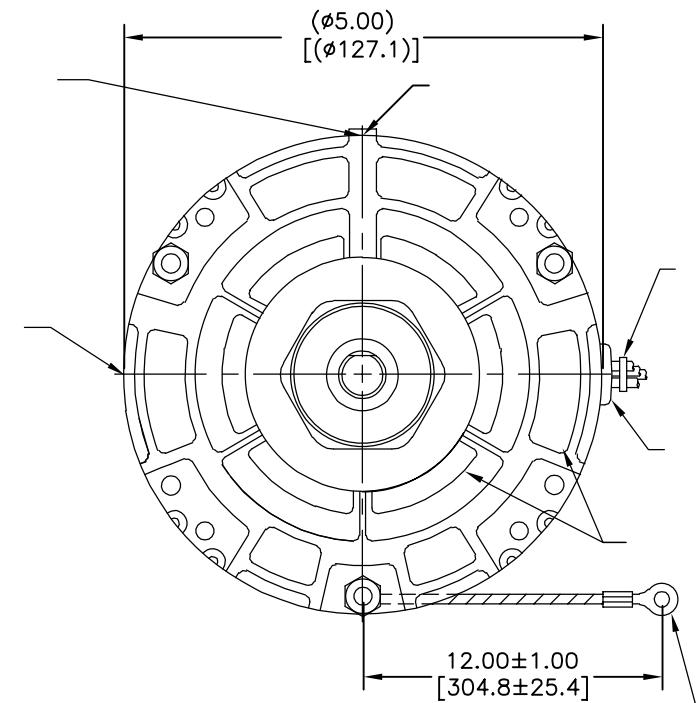
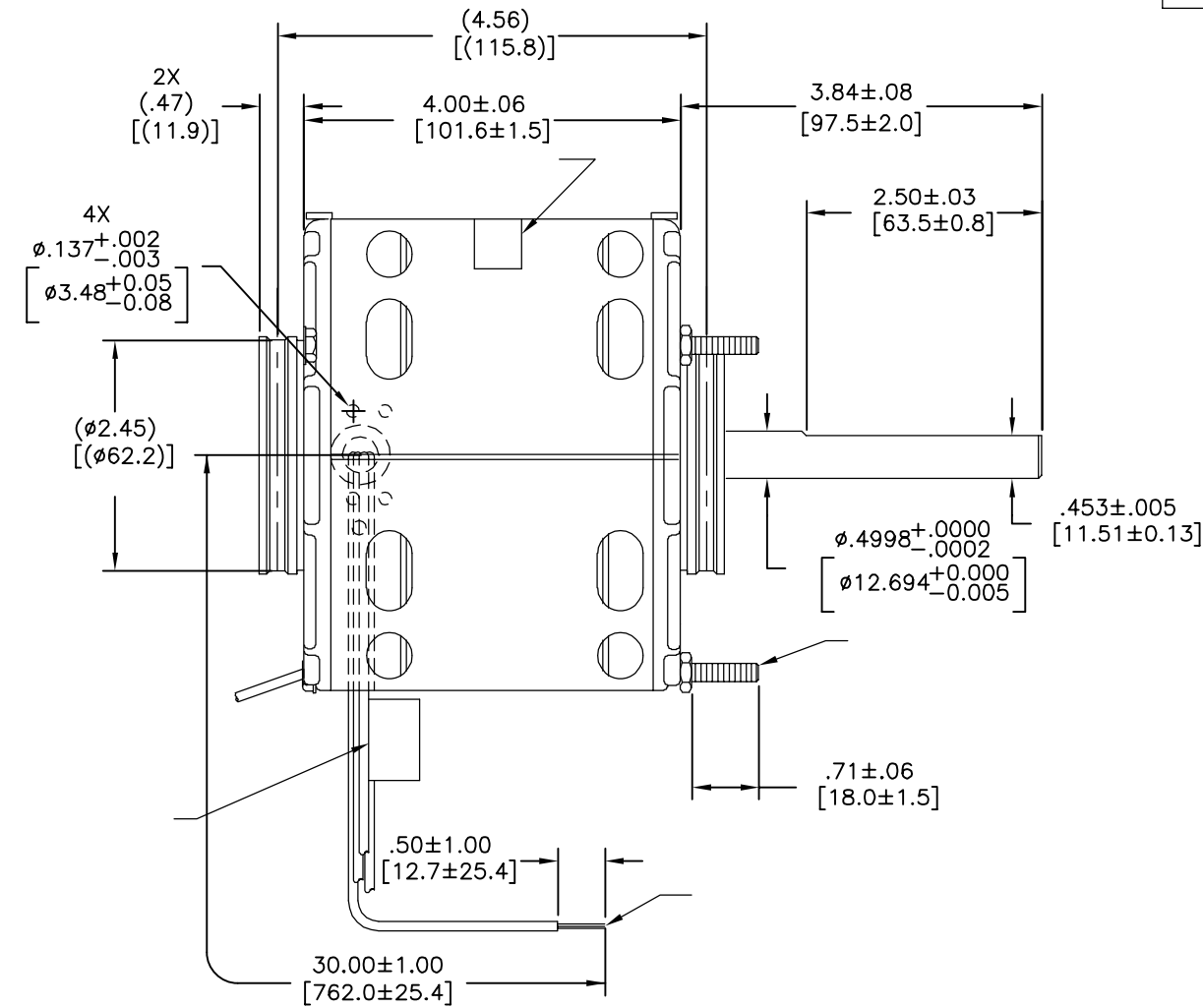
RD LOW 2.2A 1/8 HP WH COM ASSEMBLED IN MEXICO

<p>CARACTERISTICAS DE GEOMETRIA Y SIMBOLOS</p> <ul style="list-style-type: none"> □ PLANICIDAD - RECTITUD ∠ ANGULARIDAD ⊥ PERPENDICULARIDAD (A ESCUADRA) // PARALELISMO ○ REDONDEZ (CIRCULARIDAD) ∅ CILINDRICIDAD △ PERFIL DE CUALQUIER SUPERFICIE ∇ PERFIL DE CUALQUIER LINEA ∧ VARIACION ⊕ POSICION REAL ⊙ CONCENTRICIDAD = SIMETRIA <p>ASME Y14.5M 1994</p>	<p>A MENOS QUE SE ESPECIFIQUE DE OTRA MANERA, LAS TOLERANCIAS DE LAS DIMS; SON LAS SIGUIENTES:</p> <p>PULG ±.1 ±.02 ±.005 ±.0005</p> <p>mm ±0.5 ±0.13 ±0.013</p> <p>ANG. ±50 GRADOS</p> <p>ELIMINAR REBABAS Y ORILLAS FILOSAS DEL BORDE.</p> <p>PULG .003-.015 mm 0.1-0.4</p> <p>FILETEAR ESQUINA: PULG .020 mm 0.5</p> <p>MAQUINAR SUPERFICIES</p> <p>PULG 125 mm 3.2</p> <p>DIMS METRICAS MOSTRADAS [PARENTESIS]</p>
---	--

DIBUJADO POR:	DTS	10-16-1998
APROBADO POR:		
TERCER ANGULO DE PROYECCION	FECHA EDS: 11-11-2011	REV. FORMATO: H
CONFIDENCIAL: ESTE DIBUJO Y SU INFORMACION SON PROPIEDAD DE USO EXCLUSIVO Y CONFIDENCIAL DE REGAL-BELOIT CORPORATION. Y NO DEBERAN SER REVELADOS, DUPLICADOS, DISTRIBUIDOS O USARSE DE OTRA MANERA SIN EL CONSENTIMIENTO ESCRITO DE REGAL-BELOIT CORPORATION. -TODOS LOS DERECHOS RESERVADOS.		

REGAL REGAL-BELOIT CORPORATION	
DESCRIPCION: MODEL-RFHP-42FR OUTLINE	
TAMAÑO: C	NUMERO DE DIBUJO: DA3J7067
ESCALA: NONE	HOJA: 1

版本	ECO	编制	日期	批准	日期
J	0028996	E.SINECIO	10-16-2012	G.ALVIDREZ	10-16-2012



ROT: CCWLE-CWSE

Century Tipp City, OH THERMALLY PROTECTED

SER. DATE & PO# PLT LTR MOD DA3J067N# []

VOLTS 208-230 HZ 60 AMPS 3.4

RPM 1050 SP PH 1 CAP.

INS CL AMB °C HP CONT A.O. ← ROTATION →

BRG SLV

BK HI 3.4A 1/5 HP BU MED 2.7A 1/6 HP

RD LOW 2.2A 1/8 HP WH COM ASSEMBLED IN MEXICO

形位公差 □ 平面度 — 直线度 ∠ 倾斜度 ⊥ 垂直度 ∥ 平行度 ○ 圆度 φ 圆柱度 △ 面轮廓度 ∩ 线轮廓度 ↗ 圆跳动 ⊕ 位置度 ⊙ 同轴度 ≡ 对称度	除另有注明 尺寸公差如下: 英寸 X XX XXX XXXX ±.1 ±.02 ±.005 ±.0005 毫米 ±0.5 ±0.13 ±0.013 角度 ±.50 度 清理毛刺和尖棱 英寸 .003-.015 毫米 0.1-0.4 内圆角 英寸 .020 毫米 0.5 表面粗糙度 英制 125 米制 3.2
--	---

绘图: DTS	10-16-1998
批准:	
第三角投影	图纸格式发布日期 11-11-2011 图纸格式版本 H
机密: 本图纸及相关信息所有权归REGAL-BELOIT CORPORATION 未经REGAL-BELOIT CORPORATION书面授权, 不得泄露、 复制、传播或作其他用途。—版权所有	

REGAL REGAL-BELOIT CORPORATION	
名称	MODEL-RFHP-42FR OUTLINE
图幅	C
图号	DA3J7067
比例	NONE
页号	1

ASME Y14.5M 1994

米制尺寸显示在 []