

PRODUCT INFORMATION PACKET



Model No: 432
Catalog No: 432

Ventilation Motor, 1/25 HP, 1 Ph, 60/50 Hz, 208-230 V, 1550 RPM, 1 Speed, 3.3" Diameter, TEAO



Regal and Century are trademarks of Regal Rexnord Corporation or one of its affiliated companies.
©2022 Regal Rexnord Corporation, All Rights Reserved. MC017097E





Nameplate Specifications

Output HP	1/25 Hp	Output KW	0.03 kW
Frequency	50 Hz	Voltage	208-230 V
Current	.60 A	Speed	1550 rpm
Service Factor	1	Phase	1
Duty	Continuous Air Over	Insulation Class	A
Frame	3.3	Enclosure	Totally Enclosed Air Over
Thermal Protection	Thermally Protected	Ambient Temperature	40 °C
UL	No	CSA	Y
CE	N	Number of Speeds	1

Technical Specifications

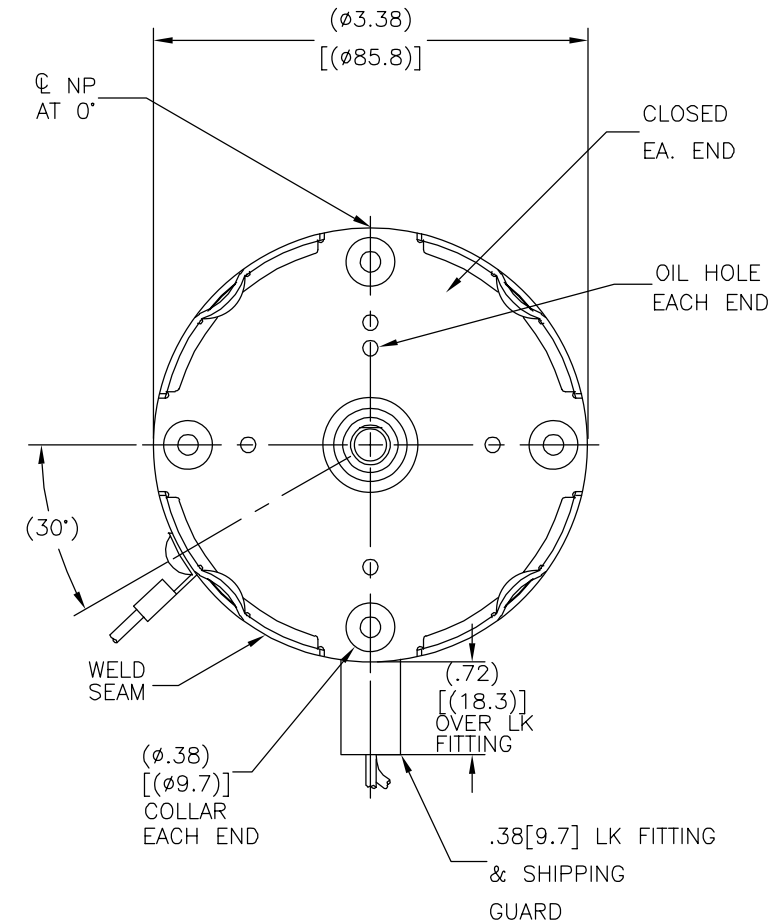
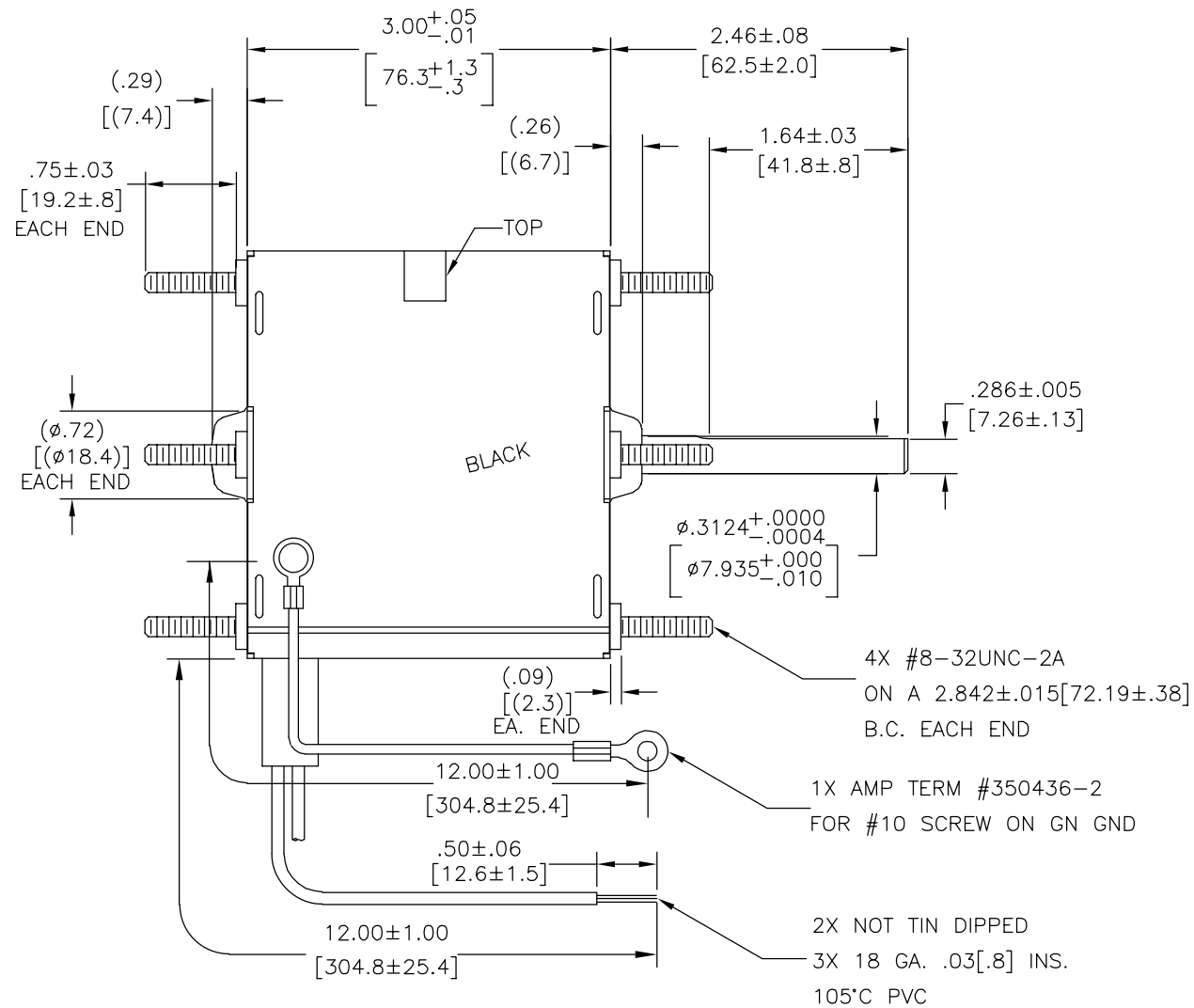
Electrical Type	Shaded Pole	Starting Method	Across The Line
Poles	4	Rotation	Clockwise Shaft End
Mounting	Extended Studs	Drive End Bearing	Sleeve
Opp Drive End Bearing	Sleeve	Frame Material	Rolled Steel
Shaft Type	Flat	Frame Length	3.00 in
Shaft Diameter	0.312 in	Shaft Extension	2 1/2 in
Outline Drawing	JA2P091-S01		

This is an uncontrolled document once printed or downloaded and is subject to change without notice. Date Created:11/29/2022

REV	ECO	REV BY	DATE	APPD	DATE
BP	0027415	F. MORENO	07-13-2012	G. ALVIDREZ	07-13-2012

END PLAY .04[1.0] MAX.

CUSTOMER IS SOLELY RESPONSIBLE FOR MOTOR PERFORMANCE AND SUITABILITY IN APPLICATIONS FOR CUSTOMER'S USES



JA2P091N#

JA2P091N#

NAMEPLATE DATA:



Tipp City, OH

THERMALLY PROTECTED



SER.DATE, PLT MOD JA2P091N#
 208-230V 50/60HZ .60A 1550RPM 1/25HP 1PH
 CONT A.O. #20 NON-DET OIL EVERY 6 MONTHS
 ←ROTATION→ STOCK NO. 432 ASSEMBLED IN MEXICO

ELECTRICALLY PER
 SAMPLE S-8196C
 EXCEPT CONST.

CCWLE-CWSE

AFTERMARKET

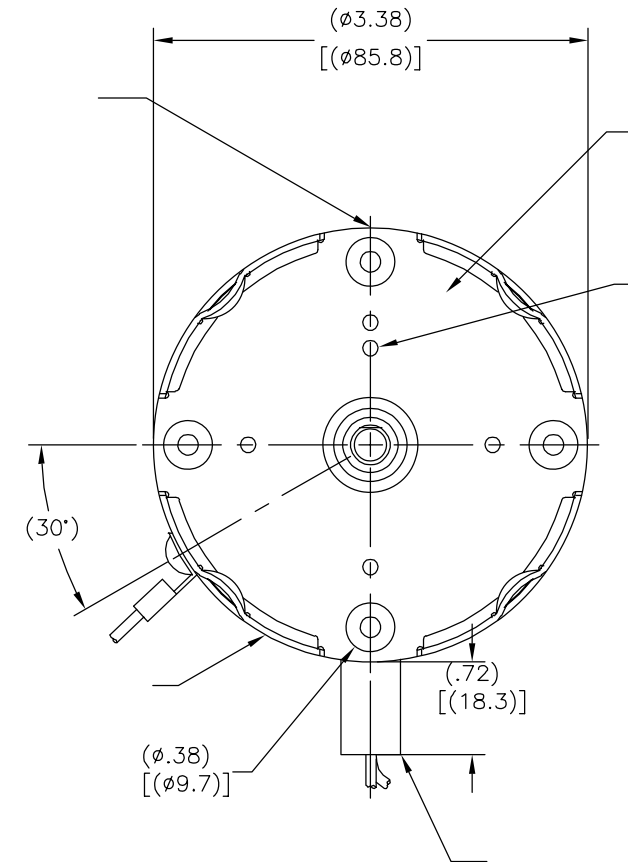
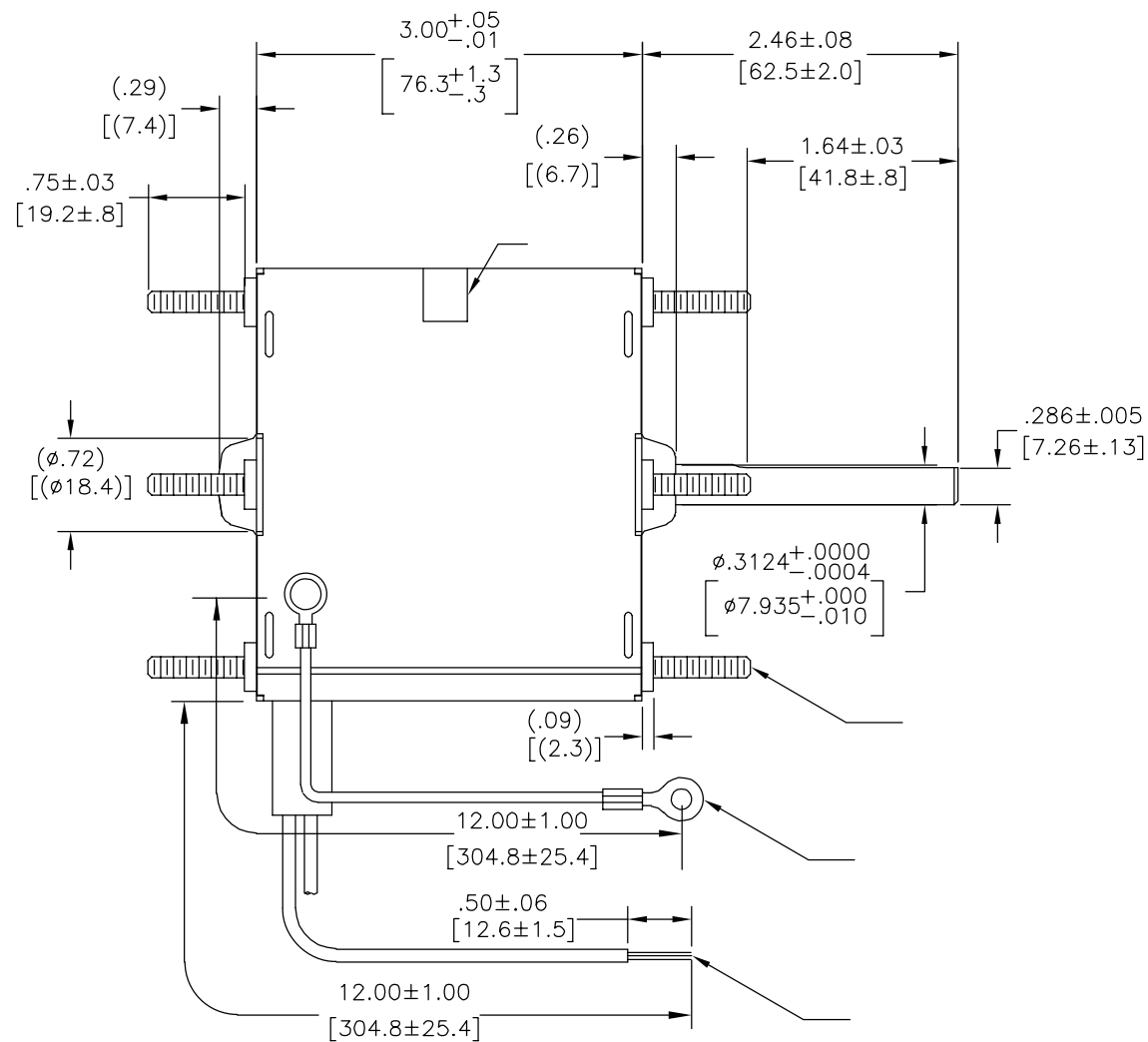
GEOMETRIC CHARACTERISTICS & SYMBOLS	
□	FLATNESS
-	STRAIGHTNESS
∠	ANGULARITY
⊥	PERPENDICULARITY (SQUARENESS)
//	PARALLELISM
○	ROUNDNESS (CIRCULARITY)
⊘	CYLINDRICITY
△	PROFILE OF ANY SURFACE
∧	PROFILE OF ANY LINE
↗	RUNOUT
⊕	TRUE POSITION
⊙	CONCENTRICITY
≡	SYMMETRY

UNLESS OTHERWISE SPECIFIED DIM. TOLERANCES ARE AS FOLLOWS:	
INCH	±.1 ±.02 ±.005 ±.0005
mm	±0.5 ±0.13 ±0.013
ANG. ±.50 DEG	
REMOVE BURRS & BREAK SHARP EDGES:	
INCH	.003-.015 mm 0.1-0.4
CORNER FILLETS TO:	
INCH	.020 mm 0.5
MACHINE SURFACES:	
INCH	125 mm 3.2
METRIC DIMS. SHOWN IN [BRACKETS]	

DR BY:	DD
APPD:	
THIRD ANGLE PROJECTION	EDS DATE 11-11-2011 FORMAT REV H
CONFIDENTIAL: THIS DRAWING AND ITS INFORMATION ARE THE EXCLUSIVE AND CONFIDENTIAL PROPERTY OF REGAL-BELOIT CORPORATION AND ARE NOT TO BE DISCLOSED, DUPLICATED, DISTRIBUTED OR OTHERWISE USED WITHOUT THE WRITTEN CONSENT OF REGAL-BELOIT CORPORATION. -ALL RIGHTS RESERVED.	

REGAL REGAL-BELOIT CORPORATION	
DESCRIPTION MODEL-SFHP-3.3 OUTLINE	
SIZE C	DWG NO JA2P091
SCALE NONE	SHEET 1

REVISION:	ECO	REVISADO POR:	FECHA:	APROBADO POR:	FECHA:
BP	0027415	F. MORENO	07-13-2012	G. ALVIDREZ	07-13-2012



JA2P091N#

JA2P091N#



Tipp City, OH

THERMALLY PROTECTED



SER.DATE, PLT MOD JA2P091N#
 208-230V 50/60HZ .60A 1550RPM 1/25HP 1PH
 CONT A.O. #20 NON-DET OIL EVERY 6 MONTHS
 ←ROTATION→ STOCK NO. 432 ASSEMBLED IN MEXICO

CCWLE-CWSE

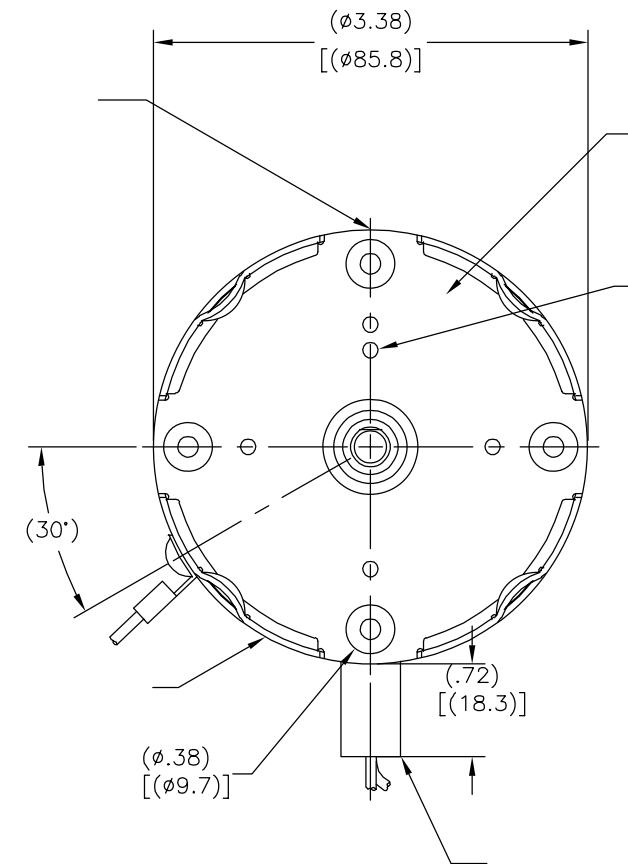
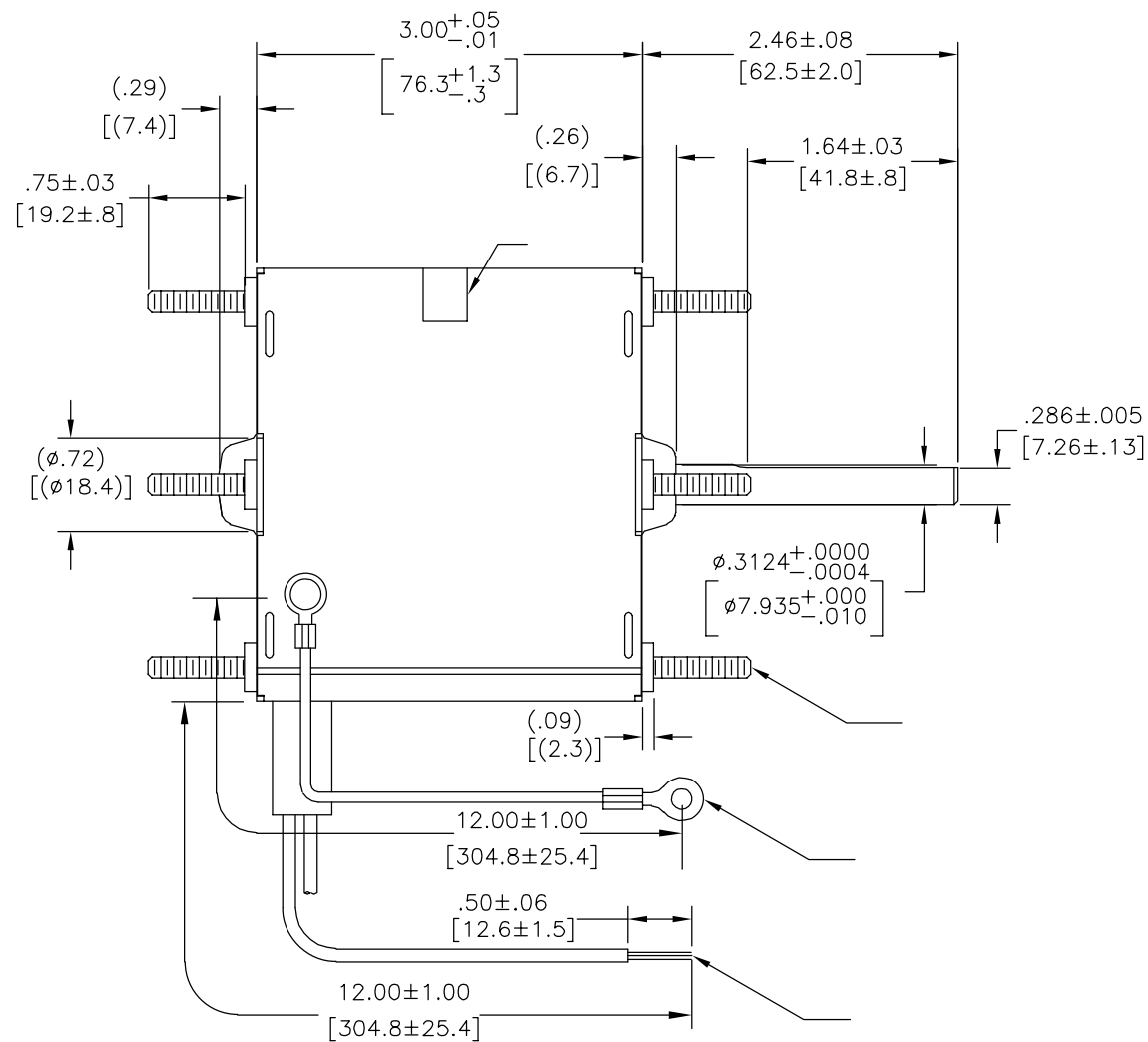
CARACTERISTICAS DE GEOMETRIA Y SIMBOLOS	
□	PLANICIDAD
-	RECTITUD
∠	ANGULARIDAD
⊥	PERPENDICULARIDAD (A ESCUADRA)
//	PARALELISMO
○	REDONDEZ (CIRCULARIDAD)
∅	CILINDRICIDAD
△	PERFIL DE CUALQUIER SUPERFICIE
∧	PERFIL DE CUALQUIER LINEA
↑	VARIACION
+	POSICION REAL
◎	CONCENTRICIDAD
=	SIMETRIA

A MENOS QUE SE ESPECIFIQUE DE OTRA MANERA, LAS TOLERANCIAS DE LAS DIMS; SON LAS SIGUIENTES:	
PULG	±.1 ±.02 ±.005 ±.0005
mm	±0.5 ±0.13 ±0.013
ANG. ±.50 GRADOS	
ELIMINAR REBABAS Y ORILLAS FILOSAS DEL BORDE.	
PULG	.003-.015 mm 0.1-0.4
FILETEAR ESQUINA: PULG .020 mm 0.5	
MAQUINAR SUPERFICIES	
PULG	125 mm 3.2
DIMES METRICAS MOSTRADAS [PARENTESIS]	

DIBUJADO POR:	DD
APROBADO POR:	
TERCER ANGULO DE PROYECCION	⊕
FECHA EDS:	11-11-2011
REV. FORMATO:	H
CONFIDENCIAL: ESTE DIBUJO Y SU INFORMACION SON PROPIEDAD DE USO EXCLUSIVO Y CONFIDENCIAL DE REGAL-BELOIT CORPORATION. Y NO DEBERAN SER REVELADOS, DUPLICADOS, DISTRIBUIDOS O USARSE DE OTRA MANERA SIN EL CONSENTIMIENTO ESCRITO DE REGAL-BELOIT CORPORATION. -TODOS LOS DERECHOS RESERVADOS.	

REGAL REGAL-BELOIT CORPORATION	
DESCRIPCION: MODEL-SFHP-3.3 OUTLINE	
TAMAÑO: C	NUMERO DE DIBUJO: JA2P091
ESCALA: NONE	HOJA: 1

版本	ECO	编制	日期	批准	日期
BP	0027415	F. MORENO	07-13-2012	G. ALVIDREZ	07-13-2012



JA2P091N#

JA2P091N#



Tipp City, OH

THERMALLY PROTECTED



SER.DATE, PLT MOD JA2P091N#
 208-230V 50/60HZ .60A 1550RPM 1/25HP 1PH
 CONT A.O. #20 NON-DET OIL EVERY 6 MONTHS
 ← ROTATION → STOCK NO. 432 ASSEMBLED IN MEXICO

CCWLE-CWSE

形位公差	除另有注明
□ 平面度	尺寸公差如下:
— 直线度	英寸 X XX XXX XXXX
∠ 倾斜度	英寸 ±.1 ±.02 ±.005 ±.0005
⊥ 垂直度	毫米 ±0.5 ±0.13 ±0.013
// 平行度	角度 ±.50 度
○ 圆度	清理毛刺和尖棱
⊘ 圆柱度	英寸 .003-.015 毫米 0.1-0.4
△ 面轮廓度	内圆角
∩ 线轮廓度	英寸 .020 毫米 0.5
⤴ 圆跳动	表面粗糙度
⊕ 位置度	英制 125 米制 3.2
⊙ 同轴度	米制尺寸显示在 []
	ASME Y14.5M 1994

绘图:	DD
批准:	
第三角投影	
图密: 本图纸及相关信息所有权归REGAL-BELOIT CORPORATION. 未经REGAL-BELOIT CORPORATION书面授权, 不得泄露、复制、传播或作其他用途。一版权所有	

名称	REGAL REGAL-BELOIT CORPORATION
图幅	C
图号	JA2P091
比例	NONE
图密: 本图纸及相关信息所有权归REGAL-BELOIT CORPORATION. 未经REGAL-BELOIT CORPORATION书面授权, 不得泄露、复制、传播或作其他用途。一版权所有	

图密: 本图纸及相关信息所有权归REGAL-BELOIT CORPORATION. 未经REGAL-BELOIT CORPORATION书面授权, 不得泄露、复制、传播或作其他用途。一版权所有	
图密: 本图纸及相关信息所有权归REGAL-BELOIT CORPORATION. 未经REGAL-BELOIT CORPORATION书面授权, 不得泄露、复制、传播或作其他用途。一版权所有	
图密: 本图纸及相关信息所有权归REGAL-BELOIT CORPORATION. 未经REGAL-BELOIT CORPORATION书面授权, 不得泄露、复制、传播或作其他用途。一版权所有	
图密: 本图纸及相关信息所有权归REGAL-BELOIT CORPORATION. 未经REGAL-BELOIT CORPORATION书面授权, 不得泄露、复制、传播或作其他用途。一版权所有	