

# PRODUCT INFORMATION PACKET



Model No: 442C  
Catalog No: 442C

OEM Replacement Motor, 1/6 HP, 1 Ph, 60 Hz, 208-230 V, 1075 RPM, 1 Speed, 48 Frame, SEMI ENCLOSED



Regal and Century are trademarks of Regal Rexnord Corporation or one of its affiliated companies.  
©2022 Regal Rexnord Corporation, All Rights Reserved. MC017097E





**Nameplate Specifications**

Output HP	1/6 Hp	Output KW	0.13 kW
Frequency	60 Hz	Voltage	208-230 V
Current	0.95 A	Speed	1075 rpm
Service Factor	1	Phase	1
Duty	Air Over	Insulation Class	B
Frame	48Y	Enclosure	Semi Enclosed
Thermal Protection	Automatic	Ambient Temperature	60 °C
UL	Recognized	CSA	Y
CE	N	Number of Speeds	1

**Technical Specifications**

Electrical Type	Permanent Split Capacitor	Starting Method	Across The Line
Poles	6	Rotation	Reversible
Mounting	Extended Studs	Motor Orientation	Any
Drive End Bearing	Sleeve	Opp Drive End Bearing	Sleeve
Frame Material	Rolled Steel	Shaft Type	Double Flat
Overall Length	10.20 in	Frame Length	3.13 in
Shaft Diameter	0.500 in	Shaft Extension	5.53 in
Connection Drawing	614131-242	Outline Drawing	442C-S01

This is an uncontrolled document once printed or downloaded and is subject to change without notice. Date Created:11/28/2022

4

3

2

1

REV	ECO	REV BY	DATE	APPD	DATE
C	0025525	E.SINECIO	04-23-2012	R.RASCON	04-23-2012

**GENERAL INFORMATION:**

SHAFT RUNOUT: .001 [.03] T.I.R. PER INCH LENGTH OF EXTENSION

END PLAY: .010 TO .063 [.25 TO 1.60]

BEARINGS: SLEEVE

MOUNTING POSITION: ALL ANGLE

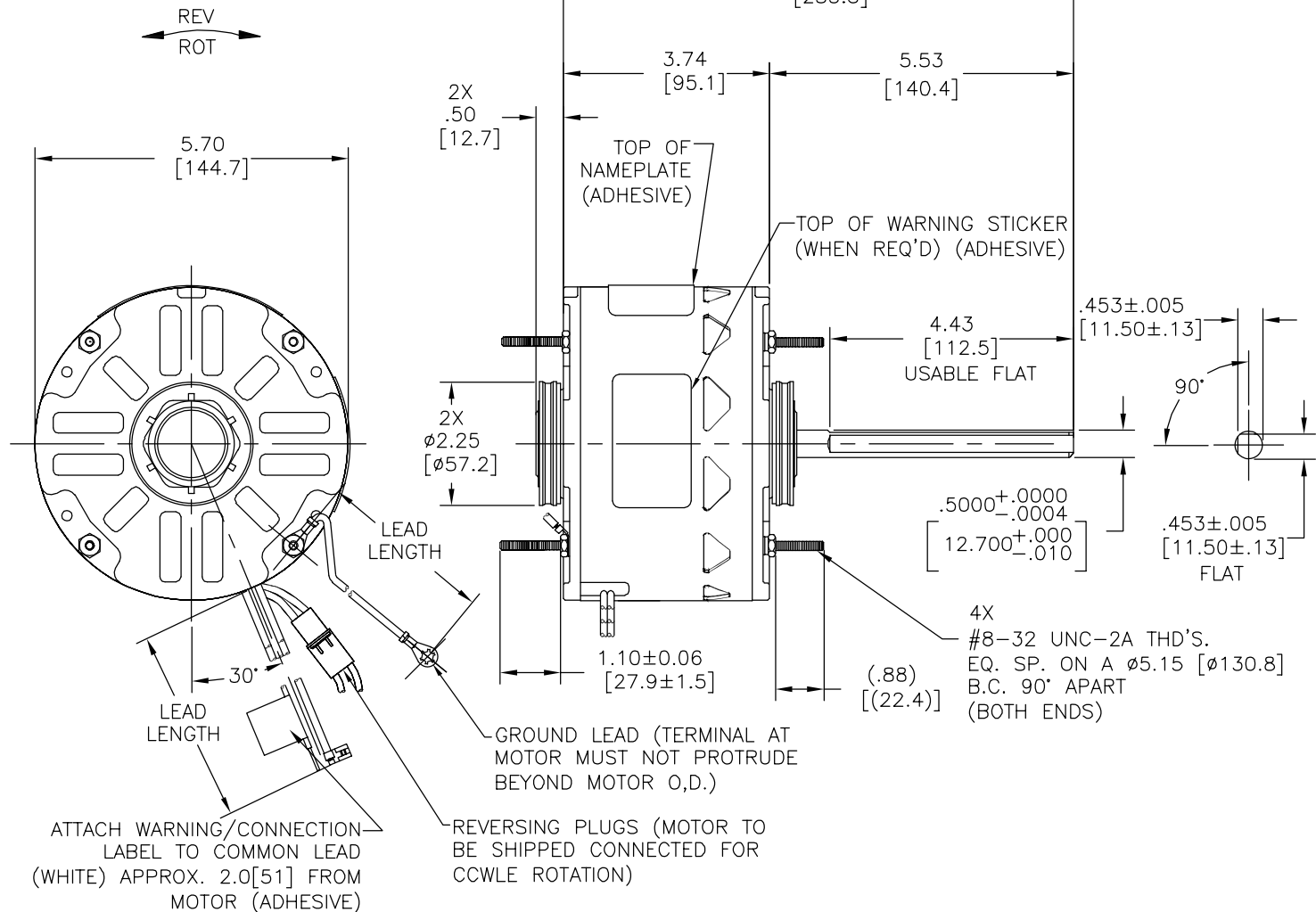
**ELECTRICAL DATA:**

OVERLOAD PROTECTOR: AUTOMATIC RESET (T.I. 7AM 036)

LEADS: NO. 18 GA., .06 [1.5] THK. PVC 105°C INSUL.

REVERSING LEADS: NO. 18 GA., .03 [.8] THK. XLP 125°C INSUL.

GROUND LEAD: NO. 16 GA., .03 [.8] THK. (GREEN/YELLOW) INSUL.



NAMEPLATE DATA:	EXTERNAL CONNECTION DIAGRAM
MODEL NO.: F48AA70A01 CUST. P/N: 442C HP: 1/6 ROT.: REVERSIBLE RPM: 1075 TYPE: UF FRAME: 48Y VOLTS: 208-230 PH: 1 AMPS: 0.95 HZ: 60 INS.: B AMB.: 60°C DUTY: AIR OVER CAP.: 5 MFD/370V ENCL: SEMI-ENCL UL LOGO CSA LOGO THERMALLY PROTECTED	BROWN SEP. CAP. BRN/WHT WHITE BLACK LINE ROTATION BLACK BLACK WHITE WHITE CCWLE BLACK WHITE WHITE BLACK CWLE

PERFORMANCE CURVE NO.	TORQUE @ 1075 RPM (25°C)	APPROVED SAMPLE	UL COMPONENT		CSA	
C32838	14.4 OZ. FT.	0701191A	FILE #	CCN #	FILE #	CLASS #
			E46412	PRGY2	LR43341	4211-01

GREEN/YELLOW (GROUND)	11.0/13.0 [279/330]	#10 EYELET
BLACK/WHITE	5.0/7.0 [127/178]	REVERSING PLUG(MALE)
BLACK/WHITE	5.0/7.0 [127/178]	REVERSING PLUG(FEMALE)
BROWN/WHITE	35.0/37.0 [889/940]	.25[6.4] FLAG
BROWN	35.0/37.0 [889/940]	.25[6.4] FLAG
BLACK	35.0/37.0 [889/940]	.50[12.8] SKIN
WHITE	35.0/37.0 [889/940]	.50[12.8] SKIN
COLOR	LENGTH	TERMINAL OR STRIP LENGTH

MAIN FRAME - OLE	OPEN
END FRAME - OLE	OPEN
MAIN FRAME - LE	ENCLOSED
END FRAME - LE	OPEN

CUSTOMER	DISTRIBUTION SERVICE

NOTE:  
 1. 4 HEX NUT 368C210H05 TO BE PUT IN POLYBAG AND SHIPPED SEPARATE IN EACH CARTON WITH MOTOR

**GEOMETRIC CHARACTERISTICS & SYMBOLS**  
 ▽ FLATNESS  
 — STRAIGHTNESS  
 ∠ ANGULARITY  
 ⊥ PERPENDICULARITY (SQUARENESS)  
 ∥ PARALLELISM  
 ○ ROUNDNESS (CIRCULARITY)  
 ⌀ CYLINDRICITY  
 △ PROFILE OF ANY SURFACE  
 ∩ PROFILE OF ANY LINE  
 ↗ RUNOUT  
 ⊕ TRUE POSITION  
 ⊙ CONCENTRICITY  
 = SYMMETRY  
 ASME Y14.5M 1994

REGAL-BELOIT CORPORATION (RBC) PROVIDES TECHNICAL ASSISTANCE TO OUR CUSTOMERS IN SEVERAL AREAS. SINCE RBC DOES NOT RECEIVE ALL DATA CONCERNING THE USE AND APPLICATION OF THE MOTOR, THE SUITABILITY OF THE MOTOR FOR THE APPLICATION MUST BE DETERMINED BY THE CUSTOMER.

DIMENSIONS WITHOUT TOLERANCES ARE FOR REFERENCE ONLY.

DR BY: AMY 03-05-2008  
 APPD:  
 THIRD ANGLE PROJECTION  
 EDS DATE 02-22-2008  
 FORMAT REV G  
 CONFIDENTIAL: THIS DRAWING AND ITS INFORMATION ARE THE EXCLUSIVE AND CONFIDENTIAL PROPERTY OF REGAL-BELOIT CORPORATION AND ARE NOT TO BE DISCLOSED, DUPLICATED, DISTRIBUTED OR OTHERWISE USED WITHOUT THE WRITTEN CONSENT OF REGAL-BELOIT CORPORATION. -ALL RIGHTS RESERVED.

DESCRIPTION	
MODEL-RFHP-48FR OUTLINE	
SIZE C	DWG NO 442C
SCALE NONE	SHEET 1

4

3

2

1

4

3

2

1

REVISION:	ECO	REVISADO POR:	FECHA:	APROBADO POR:	FECHA:
C	0025525	E.SINECIO	04-23-2012	R.RASCON	04-23-2012

**INFORMACION GENERAL:**

OSCILACION DE FLECHA: .001 [.03] T.I.R. PER INCH LENGTH OF EXTENSION

JUEGO AXIAL: .010 A .063 [.25 A 1.60]

BALEROS: MANGA

POSICION DEL MONTAJE: HORIZONTAL

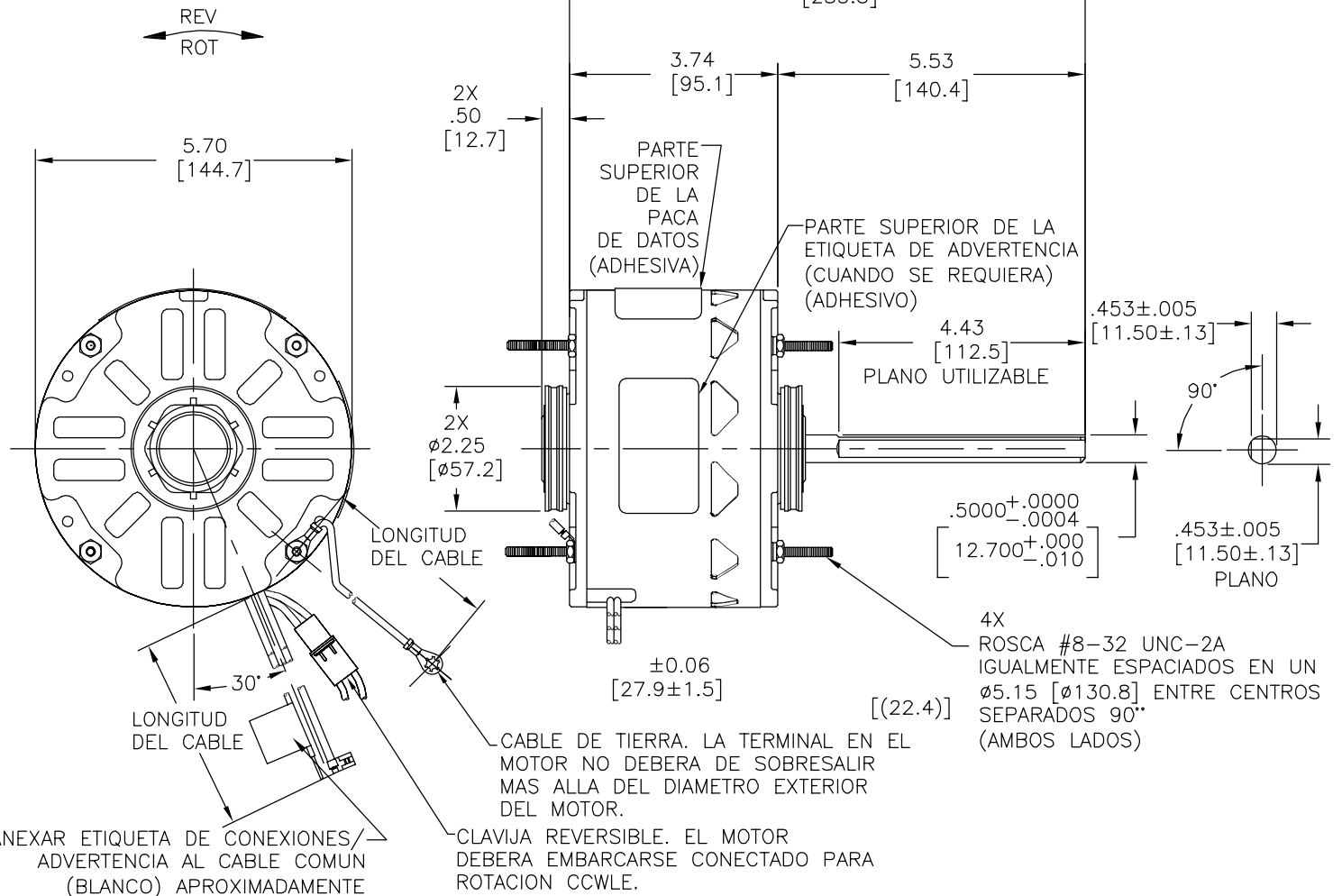
**INFORMACION ELECTRICA:**

SOBRECARGA DEL PROTECTOR: REINICIO AUTOMATICO (T.I. 7AM 036)

CABLES: CALIBRE # 18 GROSOR DE .06[1.5] AISLAMIENTO DE PVC PARA 105°C

CABLES REVERSIBLES: CALIBRE # 18 GROSOR DE .03[.8] XLP AISLADO PARA 105°C

CABLE DE TIERRA: CALIBRE # 16 GROSOR DE .03[.8] AISLANTE (VERDE/AMARILLO)



ANEXAR ETIQUETA DE CONEXIONES/ADVERTENCIA AL CABLE COMUN (BLANCO) APROXIMADAMENTE A 2.0[.51] DESDE MOTOR (ADHESIVO)

CABLE DE TIERRA. LA TERMINAL EN EL MOTOR NO DEBERA DE SOBRESALIR MAS ALLA DEL DIAMETRO EXTERIOR DEL MOTOR.  
CLAVIJA REVERSIBLE. EL MOTOR DEBERA EMBARCARSE CONECTADO PARA ROTACION CCWLE.

4X ROSCA #8-32 UNC-2A IGUALMENTE ESPACIADOS EN UN Ø5.15 [Ø130.8] ENTRE CENTROS SEPARADOS 90° (AMBOS LADOS)

NOTA:  
1. 4 TUERCAS HEXAGONALES 368C210H05 DEBERAN INCLUIRSE EN UNA BOLSA "POLYBAG" Y EMBARCARSE POR SEPARADO EN CADA CARTON CON EL MOTOR.

VERDE/AMARILLO (TIERRA)	11.0/13.0 [279/330]	TERMINAL DE OJO #10
NEGRO/BLANCO	5.0/7.0 [127/178]	CLAVIJA REVERSIBLE (MACHO)
NEGRO/BLANCO	5.0/7.0 [127/178]	CLAVIJA REVERSIBLE (HEMERA)
CAFE/BLANCO	35.0/37.0 [889/940]	.25[6.4] BANDERA
CAFE	35.0/37.0 [889/940]	.25[6.4] BANDERA
NEGRO	35.0/37.0 [889/940]	.50[12.8] FORRO
BLANCO	35.0/37.0 [889/940]	.50[12.8] FORRO
COLOR	LONGITUD	TERMINAL O LONGITUD DE DESFORRE

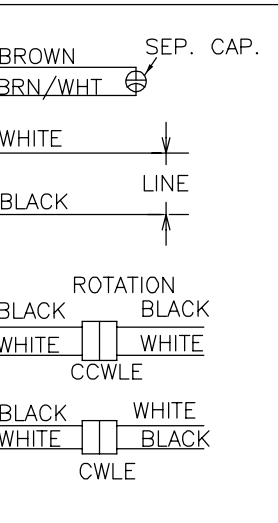
DE CARCASA - OLE	ABIERTO
DE TAPA - OLE	ABIERTO
DE CARCASA - LE	CERRADO
DE TAPA - LE	ABIERTO

CLIENTE	DISTRIBUTION SERVICE
---------	----------------------

**INFORMACION DE ETIQUETA:**

MODEL NO.: F48AA70A01  
CUST. P/N: 442C  
HP: 1/6  
ROT.: REVERSIBLE  
RPM: 1075  
TYPE: UF  
FRAME: 48Y  
VOLTS: 208-230  
PH: 1  
AMPS: 0.95  
HZ: 60  
INS.: B  
AMB.: 60°C  
DUTY: AIR OVER  
CAP.: 5 MFD/370V  
ENCL: SEMI-ENCL  
UL LOGO  
CSA LOGO  
THERMALLY PROTECTED

**DIAGRAMA DE CONEXION EXTRNA**



CURVAS DE FUNCIONAMIENTO	TORSION @--- RPM (25°C)	MUESTRA APROBADA	COMPONENTE UL #ARCHIVO	CCN #	CSA #ARCHIVO	CLASE #
C32838	14.4 OZ. FT.	0701191A	E46412	PRGY2	LR43341	4211-01

**CARACTERISTICAS DE GEOMETRIA Y SIMBOLOS**  
 ✓ PLANICIDAD  
 — RECTITUD  
 < ANGULARIDAD  
 ⊥ PERPENDICULARIDAD (A ESCUADRA)  
 // PARALELISMO  
 ○ REDONDEZ (CIRCULARIDAD)  
 ∅ CILINDRICIDAD  
 △ PERFIL DE CUALQUIER SUPERFICIE  
 ∩ PERFIL DE CUALQUIER LINEA  
 ↗ VARIACION  
 ⊕ POSICION REAL  
 ⊙ CONCENTRICIDAD  
 = SIMETRIA  
 ASME Y14.5M 1994

REGAL-BELOIT CORPORATION (RBC) PROVEE ASISTENCIA TECNICA A NUESTROS CLIENTES EN VARIAS AREAS. DESDE QUE RBC NO RECIBE TODOS LOS DATOS EN RELACION AL USO Y A LA APLICACION DEL MOTOR, LA APLICACION ADECUADA DEL MOTOR DEBE SER DETERMINADA POR EL CLIENTE.  
 DIMENSIONES SIN TOLERANCIA SON DE REFERENCIA SOLAMENTE

DIBUJADO POR: AMY 03-05-2008  
 APROBADO POR:  
 TERCER ANGULO DE PROYECCION  
 FECHA EDS: 02-22-2008  
 REV. FORMATO: G  
 CONFIDENCIAL: ESTE DIBUJO Y SU INFORMACION SON PROPIEDAD DE USO EXCLUSIVO Y CONFIDENCIAL DE REGAL-BELOIT CORPORATION. Y NO DEBERAN SER REVELADOS, DUPLICADOS, DISTRIBUIDOS O USARSE DE OTRA MANERA SIN EL CONSENTIMIENTO ESCRITO DE REGAL-BELOIT CORPORATION. -TODOS LOS DERECHOS RESERVADOS.

**REGAL-BELOIT CORPORATION**  
 DESCRIPCION: MODEL-RFHP-48FR OUTLINE  
 TAMAÑO: C NUMERO DE DIBUJO: 442C  
 ESCALA: NONE HOJA: 1

4

3

2

1

4

3

2

1

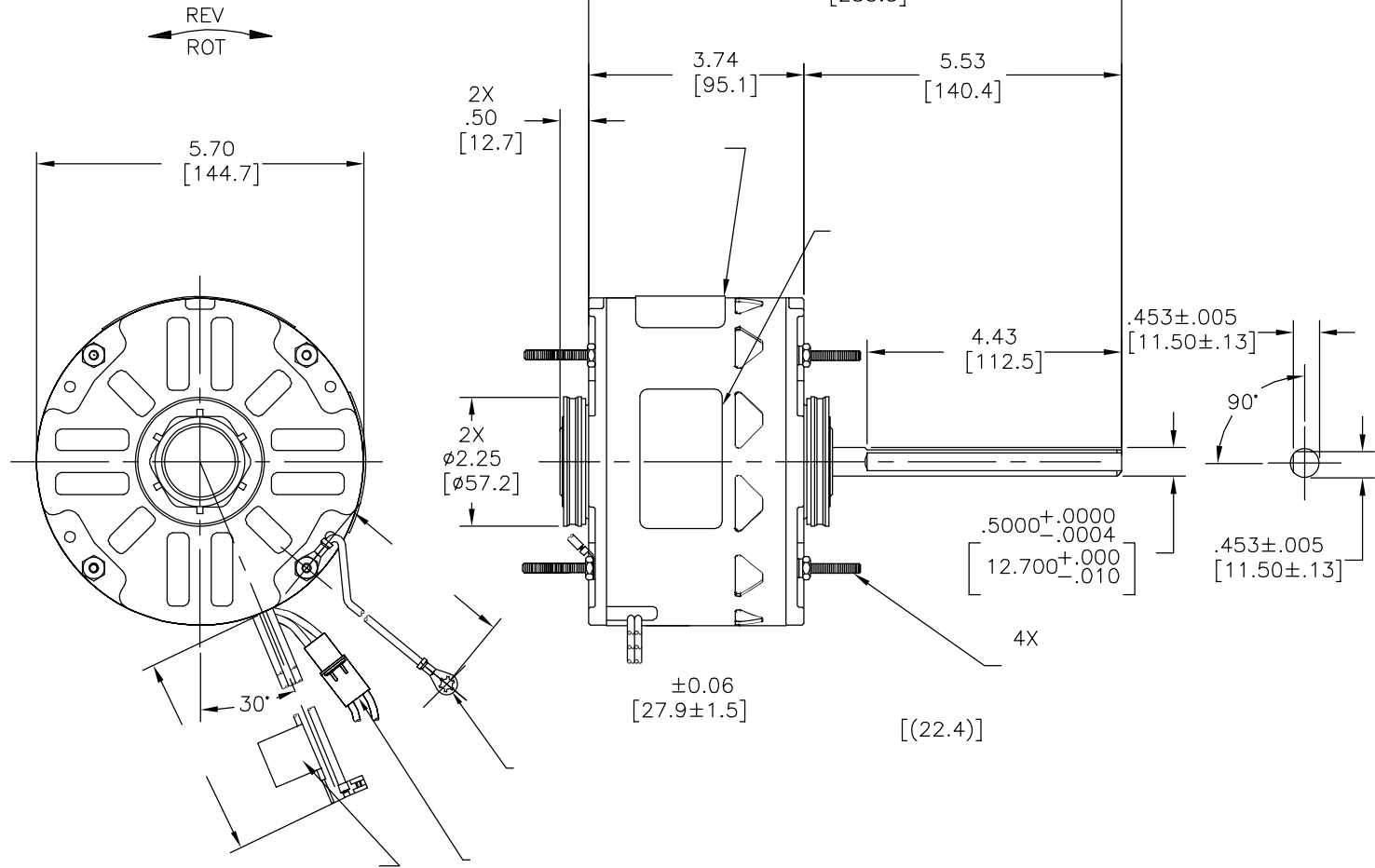
版本	ECO	编制	日期	批准	日期
C	0025525	E.SINECIO	04-23-2012	R.RASCON	04-23-2012

总要求:

轴跳动: .001/1 [.03/25.4] (外伸轴)  
 端部窜动量: .010 - .063 [.25 - 1.60]  
 轴承: 含油轴承  
 安装位置: 水平

电气数据:

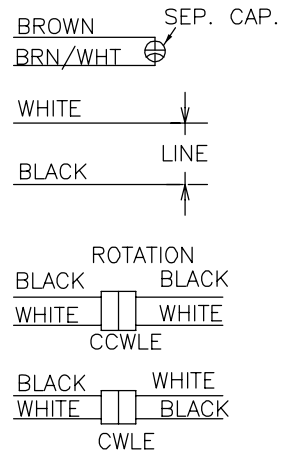
过载保护: 自动复位 (T. I. 7AM 036)  
 引线: 18GA, 厚.06[1.5] PVC 105°C 绝缘  
 接地线: 18GA, 厚.03[0.8] 绿色绝缘



铭牌数据

外部连接详图

MODEL NO.: F48AA70A01  
 CUST. P/N: 442C  
 HP: 1/6  
 ROT.: REVERSIBLE  
 RPM: 1075  
 TYPE: UF  
 FRAME: 48Y  
 VOLTS: 208-230  
 PH: 1  
 AMPS: 0.95  
 HZ: 60  
 INS.: B  
 AMB.: 60°C  
 DUTY: AIR OVER  
 CAP.: 5 MFD/370V  
 ENCL: SEMI-ENCL  
 UL LOGO  
 CSA LOGO  
 THERMALLY PROTECTED



	11.0/13.0 [279/330]	
	5.0/7.0 [127/178]	
	5.0/7.0 [127/178]	
	35.0/37.0 [889/940]	.25[6.4]
	35.0/37.0 [889/940]	.25[6.4]
	35.0/37.0 [889/940]	.50[12.8]
	35.0/37.0 [889/940]	.50[12.8]
颜色	长度	端子或剥线长度

非引线端机壳	
非引线端端盖	
引线端机壳	
引线端端盖	

用户	DISTRIBUTION SERVICE
----	----------------------

性能曲线编号	转矩在---RPM (25° C)	批准样品	UL部件		CSA	
			文件号	指南	文件号	指南
C32838	14.4 OZ. FT.	0701191A	E46412	PRGY2	LR43341	4211-01

- 形位公差
- 平面度
- 直线度
- ∠ 倾斜度
- ⊥ 垂直度
- // 平行度
- 圆度
- ⊘ 圆柱度
- △ 面轮廓度
- ∩ 线轮廓度
- ↗ 圆跳动
- ⊕ 位置度
- ⊙ 同轴度
- ≡ 对称度

ASME Y14.5M 1994

REGAL-BELOIT CORPORATION (RBC) 在个别领域为客户提供技术支持。鉴于RBC未收到任何涉及电机使用和应用环境的数据, 电机的适用性由客户自己决定。

未注公差尺寸仅供参考。

绘图:	AMY	03-05-2008
批准:		
第三角投影		图纸格式发布日期 02-22-2008 图纸格式版本 G
机密: 本图纸及相关信息所有权归REGAL-BELOIT CORPORATION。未经REGAL-BELOIT CORPORATION书面授权, 不得泄露、复制、传播或作其他用途。一版权所有		

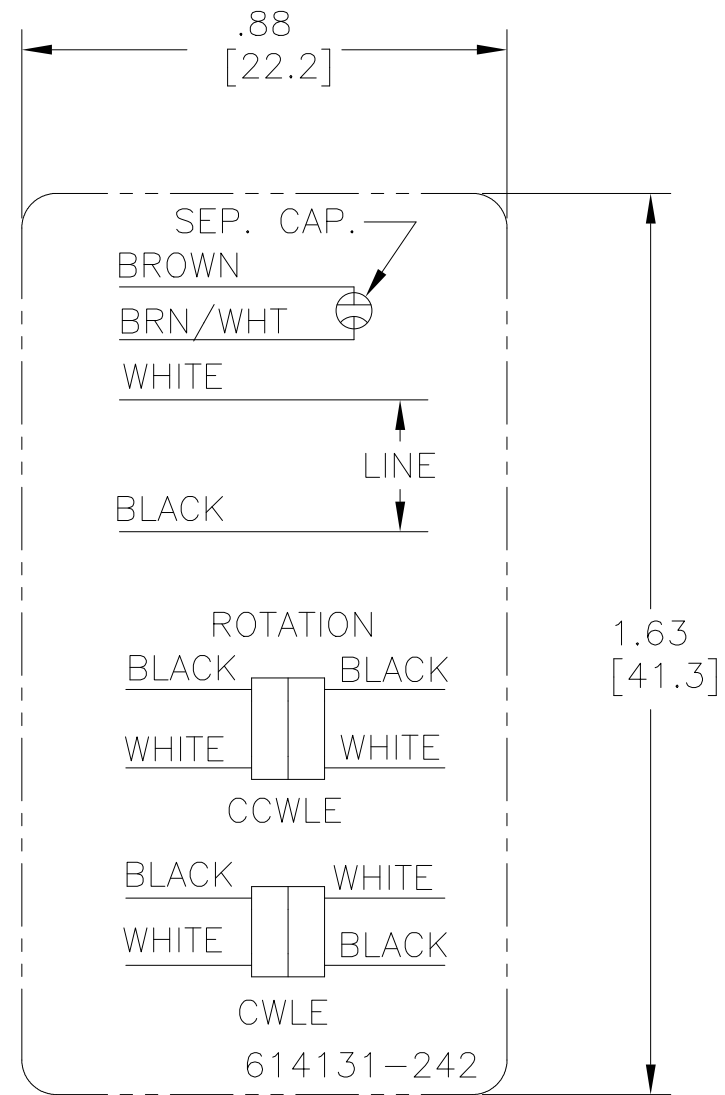
名称 MODEL-RFHP-48FR OUTLINE	
图幅 C	图号 442C
比例 NONE	页号 1

4

3

2

1



- NOTES:
1. FOR USE WITH 614129 NAMEPLATE BLANK
  2. — — — — — INDICATES DIMENSION LIMITS
  3. DIE TO BE MADE FROM MASTER SUPPLIED BY REGAL REXNORD CORPORATION
  4. DIE MUST PRODUCE A LEGIBLE IMPRESSION.

DRAWING REVISION H	REVISION BY J. RUPERT	DATE 03-16-2022
ECO NMR-0213140	APPROVED BY J. RUPERT	DATE 03-16-2022
ECO DESCRIPTION REVISED FOR UP ISSUED		

TOLERANCES UNLESS OTHERWISE SPECIFIED			
DEC.	INCH	mm	ANGLE
.X	±0.1	[±2.5]	±0.5°
.XX	±0.02	[±0.51]	
.XXX	±0.005	[±0.127]	
.XXXX	±0.0005	[±0.0127]	
REMOVE BURRS & BREAK SHARP EDGES .003/.015 [0.076/.381] X 45°			
CORNER FILLETS R.02 [.51]			
MACHINED SURFACES			
	INCH	mm	
	125	3.2	
mm SHOWN IN [BRACKETS]			

DRAWN BY: YL	
DATE: 04-15-2011	
APPROVED BY: HZ	
DATE: 04-15-2011	
REFERENCE	
THIRD ANGLE PROJECTION	

Regal Beloit America, Inc.	
DESCRIPTION CONNECTION DIAGRAM EXTERNAL	
MATERIAL	PROCESS/FINISH
SIZE A	DWG NO 6 of 6
614131-242	
SHEET 1	

COPYRIGHT REGAL BELOIT AMERICA, INC. ALL RIGHTS RESERVED. PROPRIETARY AND CONFIDENTIAL INFORMATION - THIS DOCUMENT IS THE PROPERTY OF REGAL BELOIT AMERICA, INC. ("OWNER") AND CONTAINS OWNER'S PROPRIETARY INFORMATION. ANY PERSON, CORPORATION OR OTHER FIRM RECEIVING IT IS DEEMED, BY RECEIVING IT, TO AGREE THAT IT, AND/OR ANY PART OF IT, SHALL NOT BE DISCLOSED TO ANY PERSON, CORPORATION OR OTHER ENTITY, DUPLICATED, AND/OR USED, EXCEPT AS EXPRESSLY APPROVED IN WRITING IN ADVANCE BY OWNER. THIS DOCUMENT SHALL BE RETURNED TO OWNER UPON REQUEST. IT MAY BE SUBJECT TO CERTAIN RESTRICTIONS UNDER APPLICABLE EXPORT CONTROL LAWS AND REGULATIONS.