

PRODUCT INFORMATION PACKET



Model No: 452B
Catalog No: 452B

Fan Coil & Air Conditioner Motor, 1/20, 1/25, 1/35, 1/50 HP, 1 Ph, 60 Hz, 115 V, 1075 RPM, 4 Speed,
42 Frame, OAO



Regal and Century are trademarks of Regal Rexnord Corporation or one of its affiliated companies.
©2023 Regal Rexnord Corporation, All Rights Reserved. MC017097E





Nameplate Specifications

Phase	1	Output HP	1/20, 1/25, 1/35, 1/50 Hp
Output KW	0.04 kW	Voltage	115 V
Speed	1075 rpm	Service Factor	1
Frame	42	Enclosure	Open Air Over
Thermal Protection	Thermally Protected	Ambient Temperature	40 °C
Frequency	60 Hz	Current	0.8 A
Duty	Continuous Air Over	Insulation Class	A
UL	Recognized	CSA	Y
CE	N	Number of Speeds	4

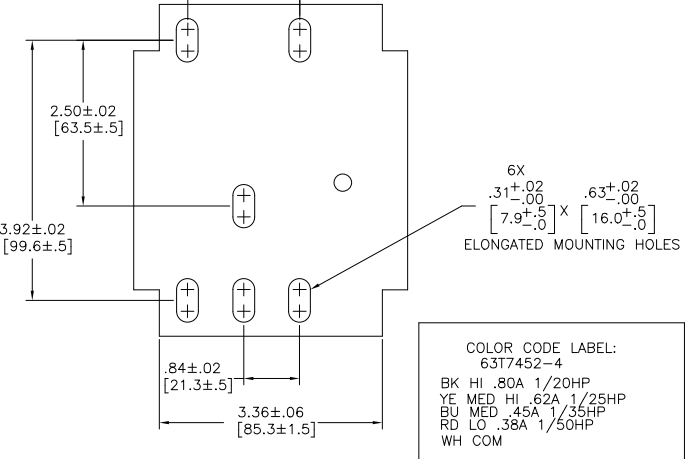
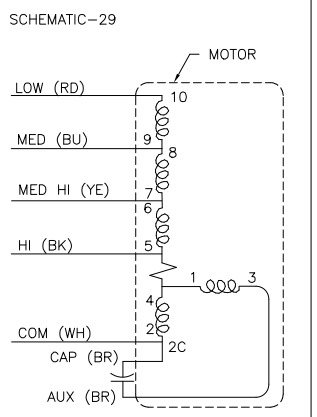
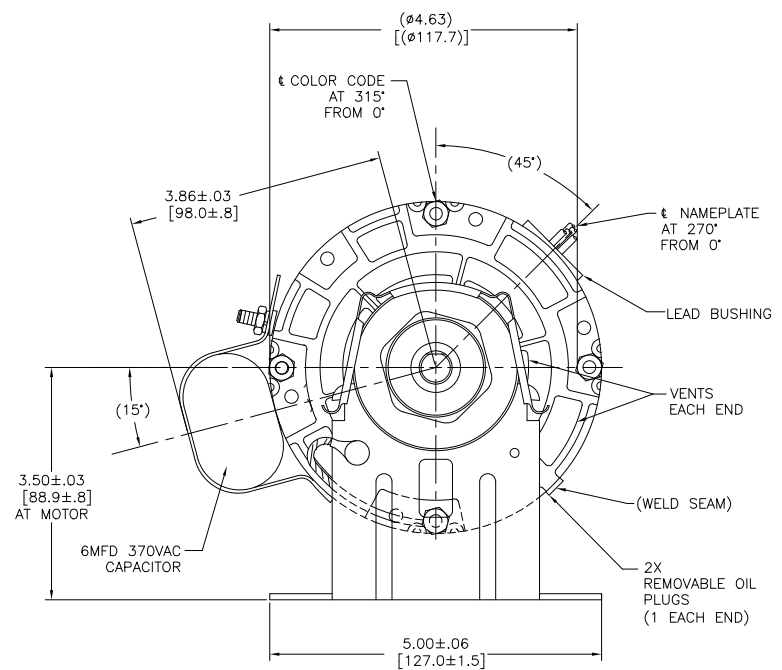
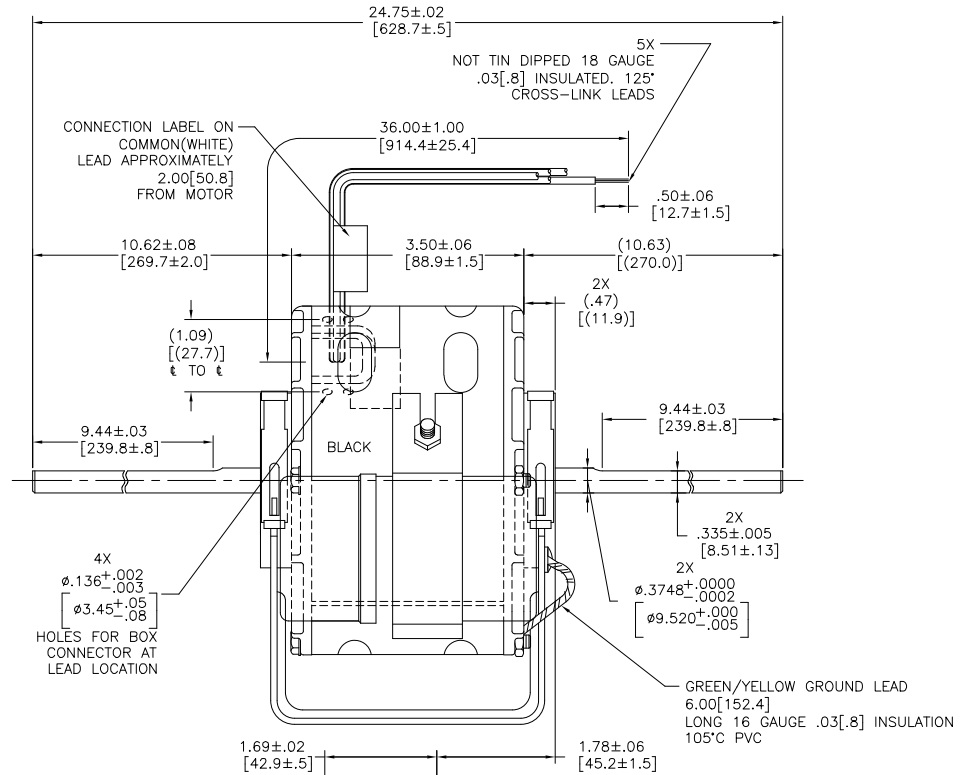
Technical Specifications

Electrical Type	Permanent Split Capacitor	Starting Method	Across The Line
Poles	6	Rotation	Clockwise Lead End
Mounting	Resilient Base	Motor Orientation	Horizontal
Drive End Bearing	Sleeve	Opp Drive End Bearing	Sleeve
Frame Material	Rolled Steel	Shaft Type	Flat
Overall Length	24.75 in	Frame Length	2.92 in
Shaft Diameter	0.375 in	Shaft Extension	10.6X.38X10.6 in
Outline Drawing	452B-S01		

This is an uncontrolled document once printed or downloaded and is subject to change without notice. Date Created:05/10/2023

CUSTOMER IS SOLELY RESPONSIBLE FOR MOTOR PERFORMANCE AND SUITABILITY IN APPLICATIONS FOR CUSTOMER'S USES.

ENDPLAY .005[.13] MINIMUM - .040[1.02] MAXIMUM
 MAXIMUM SHAFT RUN OUT .001[.13] PER INCH
 MAXIMUM RUN OUT NOT TO EXCEED .010[.25]



COLOR CODE LABEL:
 63T7452-4
 BK HI .80A 1/20HP
 YE MED HI .62A 1/25HP
 BU MED .45A 1/35HP
 RD LO .38A 1/50HP
 WH COM

CONNECTION LABEL
 63T7433-265

ROT: CWLE

NAMEPLATE DATA:

Century Tipp City, OH THERMALLY PROTECTED

SER. DATE & PO# PLT LTR MOD DE3D377N' STOCK NO. 452B
 VOLTS 115 HP 60 AMPS .80
 RPM 1075 SP PH 1 CAP 6MFD 370VAC
 INS CL AMB °C HP CONT A.O. ROTATION
 BRG SLV ASSEMBLED IN MEXICO

ELECTRICALLY PER
 SAMPLE S-8196D

DRAWING REVISION HISTORY BY DATE E: A. BAUGHMAN 09-13-2022 ECR-0220839 APPROVED BY DATE A. BAUGHMAN 09-13-2022 EOT DESCRIPTION REVISED FOR UP ISSUE	DRAWN BY: A. BAUGHMAN DATE: 09-10-2015 APPROVED BY: A. BAUGHMAN DATE: 09-10-2015 REFERENCE:	Regal Beloit America, Inc. DESCRIPTION: MODEL-RFHP-42FR MATERIAL: OUTLINE PROCESS/FINISH:
THIRD ANGLE PROJECTION SIZE DWD NO. 452B SHEET 1		