

PRODUCT INFORMATION PACKET



Model No: 467A
Catalog No: 467A

OEM Replacement Motor, 1/5-1/8-1/10 HP, 1 Ph, 60 Hz, 208-230 V, 1625 RPM, 3 Speed, 42 Frame, OPEN



Regal and Century are trademarks of Regal Rexnord Corporation or one of its affiliated companies.
©2023 Regal Rexnord Corporation, All Rights Reserved. MC017097E





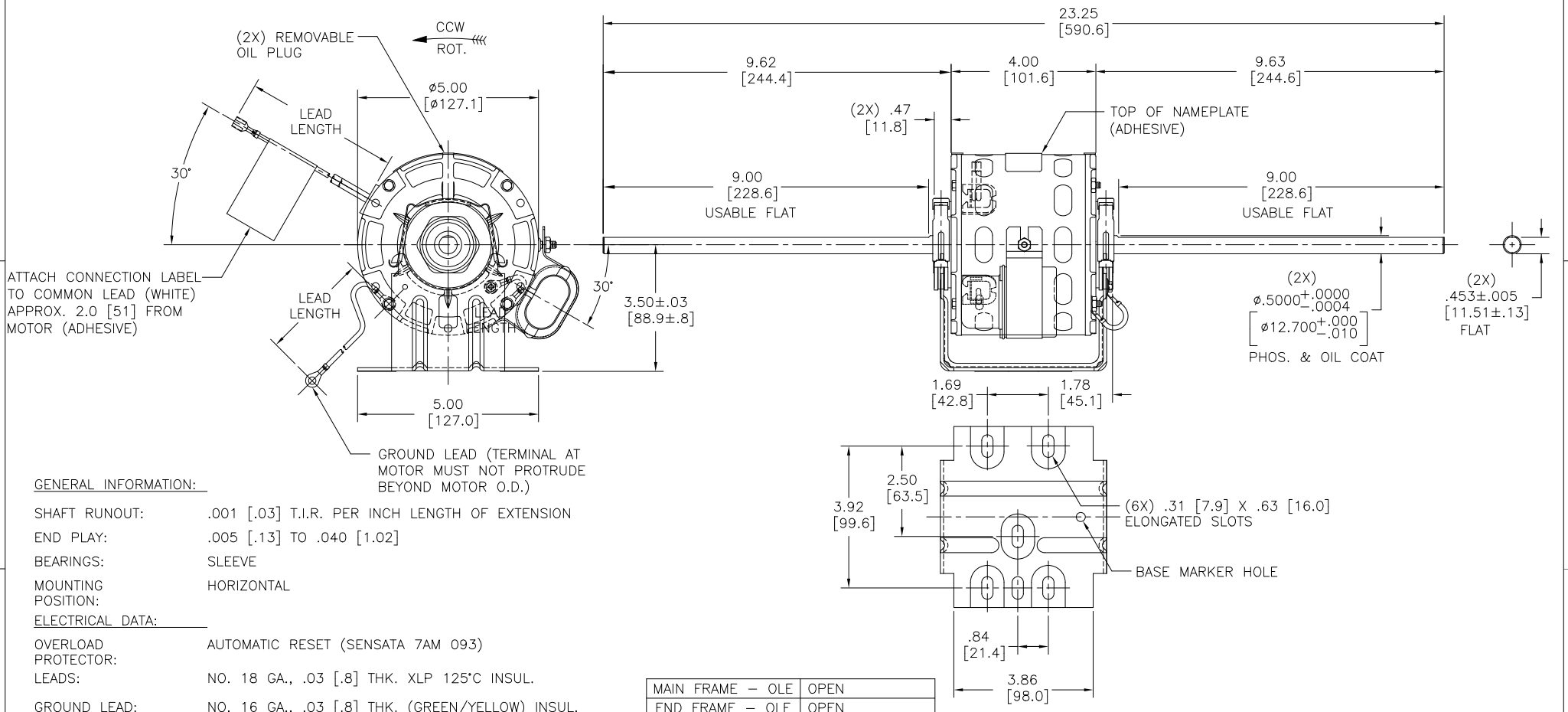
Nameplate Specifications

Phase	1	Output HP	1/5-1/8-1/10 Hp
Output KW	0.15 kW	Voltage	208-230 V
Speed	1625 rpm	Service Factor	1
Frame	42Y	Enclosure	Open Enclosed
Thermal Protection	Automatic	Ambient Temperature	40 °C
Frequency	60 Hz	Current	1.0/.76/.61 A
Duty	Continuous Air Over	Insulation Class	A
UL	Recognized	CSA	Y
CE	N	Number of Speeds	3

Technical Specifications

Electrical Type	Permanent Split Capacitor	Starting Method	Across The Line
Poles	4	Rotation	Counterclockwise Lead End
Mounting	Resilient Base	Motor Orientation	Horizontal
Drive End Bearing	Sleeve	Opp Drive End Bearing	Sleeve
Frame Material	Rolled Steel	Shaft Type	Flat
Overall Length	23.25 in	Frame Length	3.42 in
Shaft Diameter	0.500 in	Shaft Extension	9.6X.5X9.6 in
Outline Drawing	467A-S01		

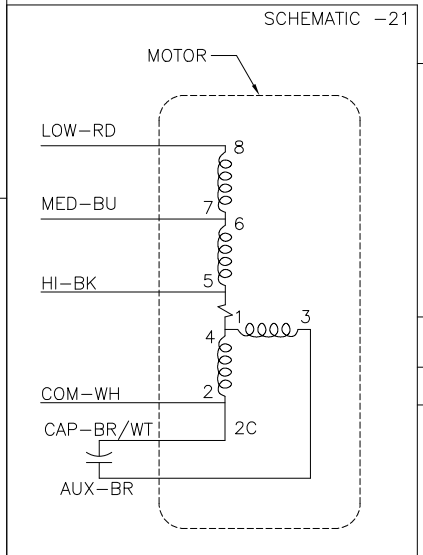
This is an uncontrolled document once printed or downloaded and is subject to change without notice. Date Created:04/25/2023



GENERAL INFORMATION:

SHAFT RUNOUT: .001 [.03] T.I.R. PER INCH LENGTH OF EXTENSION
 END PLAY: .005 [.13] TO .040 [1.02]
 BEARINGS: SLEEVE
 MOUNTING POSITION: HORIZONTAL
ELECTRICAL DATA:
 OVERLOAD PROTECTOR: AUTOMATIC RESET (SENSATA 7AM 093)
 LEADS: NO. 18 GA., .03 [.8] THK. XLP 125°C INSUL.
 GROUND LEAD: NO. 16 GA., .03 [.8] THK. (GREEN/YELLOW) INSUL.

MAIN FRAME - OLE	OPEN
END FRAME - OLE	OPEN
MAIN FRAME - LE	OPEN
END FRAME - LE	OPEN
ENCLOSURE	



NAMEPLATE DATA:

Century™ ELECTRICAL PRODUCTS COMPANY TIPP CITY, OHIO

THERMALLY PROTECTED

SER. DATE & PO# PLT LTR MOD DE2G129N' STK. NO 467A
 VOLTS 208-230 HZ 60 AMPS 1.0
 RPM 1625 SP 3 PH 1 CAP 5 MFD/370 VAC
 INS CL B AMB 40°C HP - AO ← ROTATION →
 BRG SLV ASSEMBLED IN MEXICO

BK-HI 1.0 A 1/5 HP
 BU-MED .76 A 1/8 HP
 RD-LO .61 A 1/10 HP
 WH-COM BR & BR/WH-CAP

PERFORMANCE CURVE NO.	TORQUE @ 1625 RPM (25°C)	APPROVED SAMPLE	UL COMPONENT				CSA	
			FILE #	CCN #	FILE #	CLASS #		
C32334	120 OZ. IN.	9334D	-	-	-	-	-	

GREEN/YELLOW (GROUND)	7.0/9.0 [178/229]	#10 EYELET
GREEN/YELLOW (GROUND)	CONNECTED TO BASE	#10 EYELET
BROWN	CONNECTED TO CAPACITOR	.25 [6.4] FEMALE SPADE
BROWN/WHITE	CONNECTED TO CAPACITOR	.25 [6.4] FEMALE SPADE
RED	35.0/37.0 [889/940]	.25 [6.4] FEMALE SPADE
BLUE	35.0/37.0 [889/940]	.25 [6.4] FEMALE SPADE
BLACK	35.0/37.0 [889/940]	.25 [6.4] FEMALE SPADE
WHITE	35.0/37.0 [889/940]	.25 [6.4] FEMALE SPADE
COLOR	LENGTH	TERMINAL OR STRIP LENGTH

DRAWING REVISION: ECO	REVISION BY: J. RUPERT	DATE: 03-07-2023	DRAWN BY: AS DATE: 06-20-2011 APPROVED BY: BS DATE: 06-20-2011 REFERENCE: THIRD ANGLE PROJECTION	Regal Beloit America, Inc. DESCRIPTION: MODEL-RFHP-42F OUTLINE MATERIAL: _____ PROCESS/FINISH: _____ SIZE: C DWG NO: 467A SHEET: 1
ECO DESCRIPTION: REDRAWN TO NEW FORMAT	APPROVED BY: J. RUPERT	DATE: 03-07-2023		
COPYRIGHT REGAL BELOIT AMERICA, INC. ALL RIGHTS RESERVED. PROPRIETARY AND CONFIDENTIAL INFORMATION - THIS DOCUMENT IS THE PROPERTY OF REGAL BELOIT AMERICA, INC. (OWNER) AND CONTAINS OWNER'S PROPRIETARY INFORMATION. ANY REPRODUCTION OR OTHER FIRM RECEIVING IT IS DENIED. BY RECEIVING IT, TO AGREE THAT IT, AND/OR ANY PART OF IT, SHALL NOT BE DISCLOSED TO ANY PERSON, CORPORATION OR OTHER ENTITY, DUPLICATED, AND/OR USED, EXCEPT AS EXPRESSLY APPROVED IN WRITING IN ADVANCE BY OWNER. THIS DOCUMENT SHALL BE RETURNED TO OWNER UPON REQUEST. IT MAY BE SUBJECT TO CERTAIN RESTRICTIONS UNDER APPLICABLE EXPORT CONTROL LAWS AND REGULATIONS.				